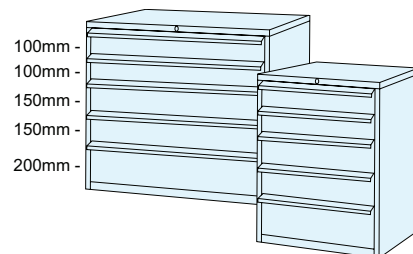
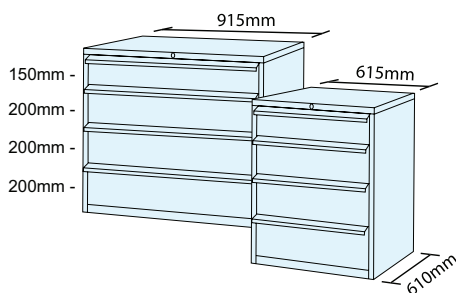




840mm High Euroslide Cabinets

Specially designed cabinets with high load bearing drawers. Suitable for storing heavy tools and equipment safely and securely in industrial and workshop environments.

- Heavy gauge all steel construction
- Full width, full extension precision ball race slides with safety anti-tilt feature
- Central locking
- Load capacity of 70kg or 140kg per drawer
- Drawers have slotted sides for drawer dividers - see page 98



Cabinet Colour Options

Please add corresponding letters to code



Dark Grey

Dark Blue

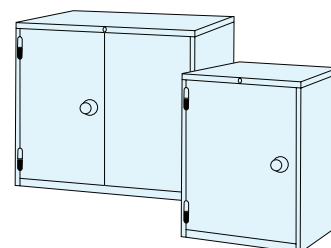
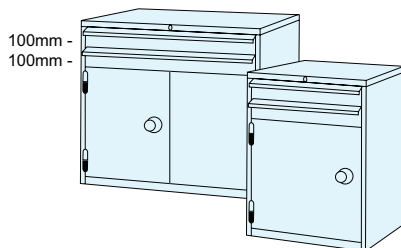
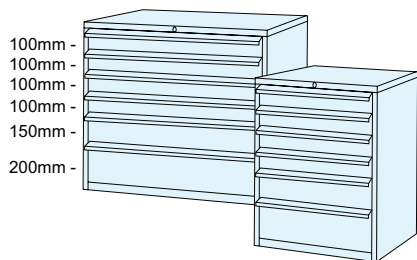
Green

4 Drawer Cabinet

Size H.W.D.	Cap	Code	Price
840.915.610	70 Kg	E7849161A	£674.00
840.615.610	70 Kg	E7846161A	£539.00
840.915.610	140 Kg	E4849161A	£719.00
840.615.610	140 Kg	E4846161A	£588.00

5 Drawer Cabinet

Size H.W.D.	Cap	Code	Price
840.915.610	70 Kg	E7849161C	£749.00
840.615.610	70 Kg	E7846161C	£596.00
840.915.610	140 Kg	E4849161C	£803.00
840.615.610	140 Kg	E4846161C	£690.00



6 Drawer Cabinet

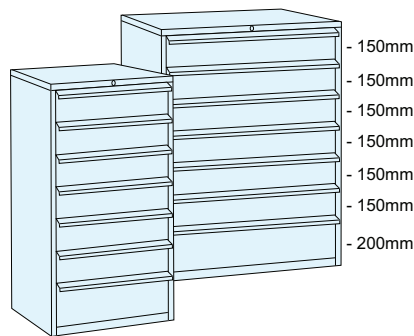
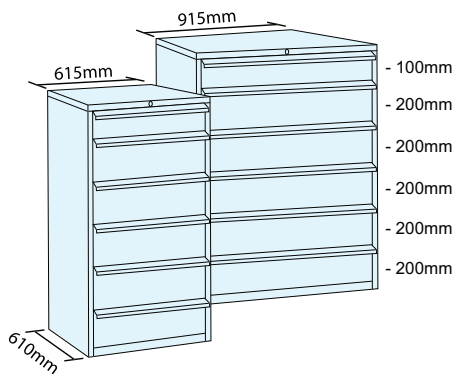
Size H.W.D.	Cap	Code	Price
840.915.610	70 Kg	E7849161E	£852.00
840.615.610	70 Kg	E7846161E	£680.00
840.915.610	140 Kg	E4849161E	£910.00
840.615.610	140 Kg	E4846161E	£710.00

2 Drawers & Cupboard

Size H.W.D.	Cap	Code	Price
840.915.610	70 Kg	E78491612	£402.00
840.615.610	70 Kg	E78461612	£342.00
840.915.610	140 Kg	E48491612	£525.00
840.615.610	140 Kg	E48461612	£420.00

Cupboard

Size H.W.D.	Cap	Code	Price
840.915.610	70 Kg	E78491611	£204.00
840.615.610	70 Kg	E78461611	£184.00



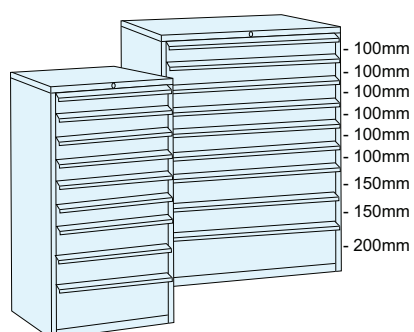
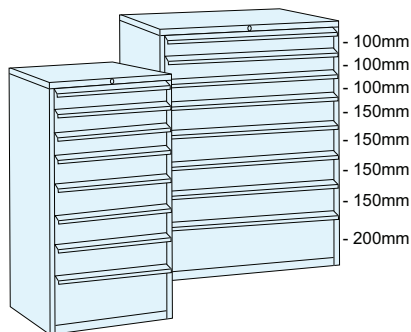
6 Drawer Cabinet			
Size H.W.D.	Cap	Code	Price
1200.915.610	70 Kg	E7129161U	£859.00
1200.615.610	70 Kg	E7126161U	£698.00
1200.915.610	140 Kg	E4129161U	£931.00
1200.615.610	140 Kg	E4126161U	£746.00

7 Drawer Cabinet			
Size H.W.D.	Cap	Code	Price
1200.915.610	70 Kg	E7129161V	£888.00
1200.615.610	70 Kg	E7126161V	£738.00
1200.915.610	140 Kg	E4129161V	£968.00
1200.615.610	140 Kg	E4126161V	£806.00

1200mm High Euroslide Cabinets

Specially designed cabinets with high load bearing drawers. Suitable for storing heavy tools and equipment safely and securely in industrial and workshop environments.

- Heavy gauge all steel construction
- Full width, full extension precision ball race slides with safety anti-tilt feature
- Central locking
- Load capacity of 70kg or 140kg per drawer
- Drawers have slotted sides for drawer dividers - see page 98



8 Drawer Cabinet			
Size H.W.D.	Cap	Code	Price
1200.915.610	70 Kg	E7129161X	£1,013.00
1200.615.610	70 Kg	E7126161X	£799.00
1200.915.610	140 Kg	E4129161X	£1,103.00
1200.615.610	140 Kg	E4126161X	£881.00

9 Drawer Cabinet			
Size H.W.D.	Cap	Code	Price
1200.915.610	70 Kg	E7129161Y	£1,264.00
1200.615.610	70 Kg	E7126161Y	£979.00
1200.915.610	140 Kg	E4129161Y	£1,378.00
1200.615.610	140 Kg	E4126161Y	£1,093.00

Cabinet Colour Options

Please add corresponding letters to code



Dark Grey



Dark Blue



Green



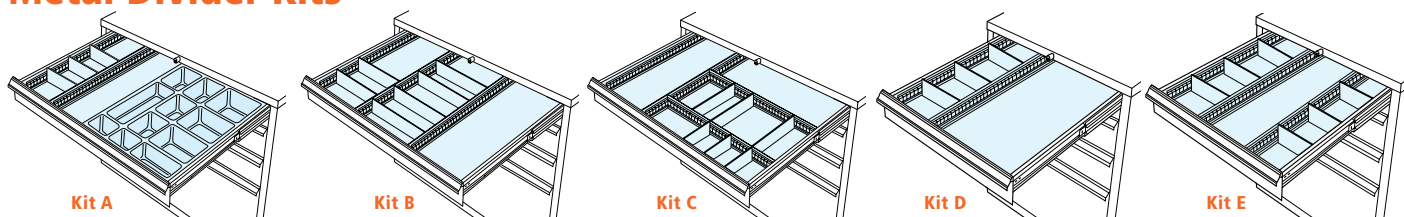
Euroslide Drawer Dividers and Trays

Euroslide cabinet drawers have slotted side walls to accept dividers to create compartments to store small articles.

- Metal drawer dividers are available in easy to use kit form
- Moulded plastic drawer inserts and trays allow the drawer to be customised to store small articles such as nuts, bolts and washers



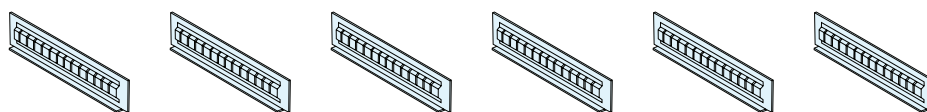
Metal Divider Kits



Metal Divider Kits

Drawer Ht.	Kit A	Price	Kit B	Price	Kit C	Price	Kit D	Price	Kit E	Price
100mm	ET10KITA	£37.00	ET10KITB	£14.00	ET10KITC	£24.00	ET10KITD	£12.00	ET10KITE	£23.00
150mm	-	-	ET15KITB	£34.00	ET15KITC	£30.00	ET15KITD	£14.00	ET15KITE	£26.00
200mm	-	-	ET20KITB	£36.00	ET20KITC	£39.00	ET20KITD	£18.00	ET20KITE	£33.00

Slotted Metal Dividers



Side To Side Dividers - To Fit 615mm Cabinets

Drawer Ht.	Qty	Code	Price
100mm	6	ED100SS62XXX	£31.00
150mm	6	ED150SS62XXX	£46.00
200mm	6	ED200SS62XXX	£56.00

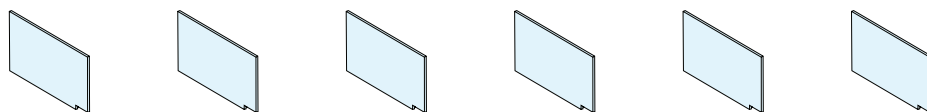
Side To Side Dividers - To Fit 915mm Cabinets

Drawer Ht.	Qty	Code	Price
100mm	6	ED100SS92XXX	£47.00
150mm	6	ED150SS92XXX	£58.00
200mm	6	ED200SS92XXX	£69.00

Front To Back Dividers - To Fit 615 & 915mm

Drawer Ht.	Qty	Code	Price
100mm	6	ED100FTB2XXX	£30.00
150mm	6	ED150FTB2XXX	£47.00
200mm	6	ED200FTB2XXX	£54.00

Plain Metal Sub-Dividers



Plain Sub-Divider - 125mm Long

Drawer Ht.	Qty	Code	Price
100mm	12	ES1001252XXX	£11.00
150mm	12	ES1501252XXX	£11.00
200mm	12	ES2001252XXX	£12.00

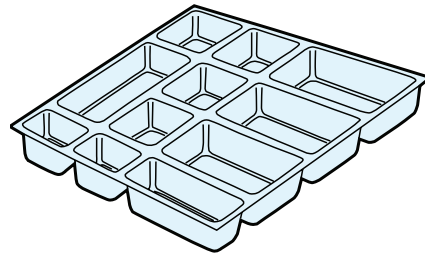
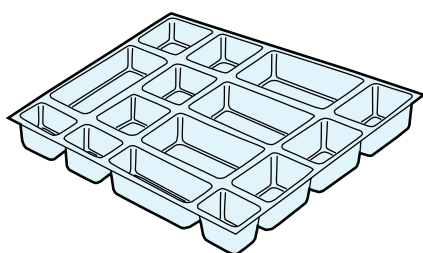
Plain Sub-Divider - 200mm Long

Drawer Ht.	Qty	Code	Price
100mm	12	ES1002002XXX	£12.00
150mm	12	ES1502002XXX	£17.00
200mm	12	ES2002002XXX	£20.00

Plain Sub-Divider - 275mm Long

Drawer Ht.	Qty	Code	Price
100mm	12	ES1002752XXX	£13.00
150mm	12	ES1502752XXX	£19.00
200mm	12	ES2002752XXX	£22.00

Moulded Drawer Inserts



Moulded Plastic Drawer Insert

Size W.D.	Code	Price
610.615	ET610615	£34.00

Moulded Plastic Drawer Insert

Size W.D.	Code	Price
610.457	ET910457	£31.00