



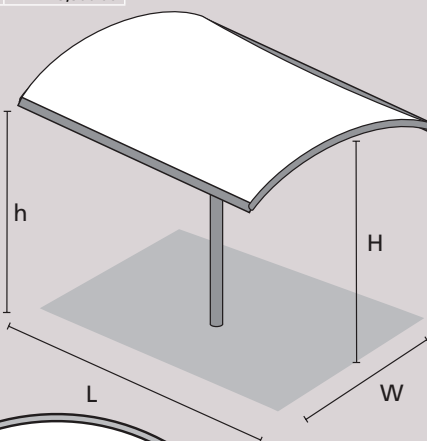
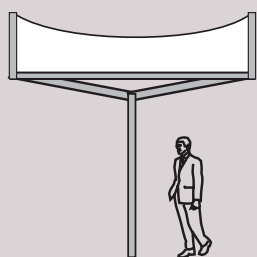
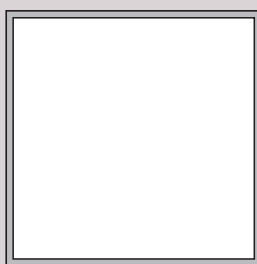
Stork

- An ingeniously designed structure supported by a single mast, providing maximum uninhibited space beneath the canopy
- Modular in concept, units can be added end-to-end, side-to-side or both
- Integral rainwater drainage system channels water down the central mast to a soakaway
- Highly suitable for creating shaded areas, walkways and entrance canopies
- Consists of an architectural grade PVC coated polyester canopy fitted under tension to a powder coated steel frame
- Steel work available in 8 colours as standard with further options available on request; canopies available in 8 colours - please specify when ordering
- Must be installed by specialist tensile fabric structure installers - prices are available on application



Stork - 4m x 4m

L	W	H	h	Code	Price
4000	4000	3300	2700	STST44244	£13,500.00



Steel Work & Canopy Colour Options



White



Cream



Light Grey



Yellow



Green



Mid Blue



Dark Blue



Red



Pod - 3m x 3m

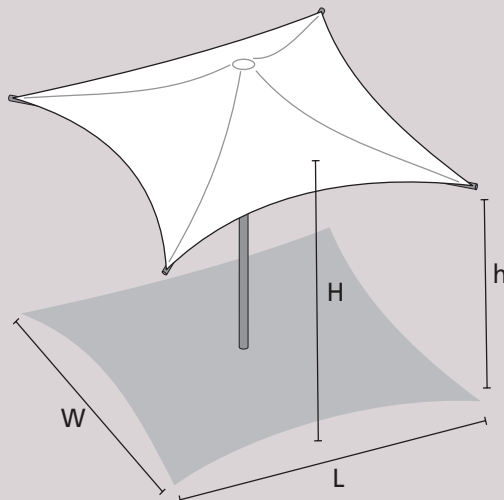
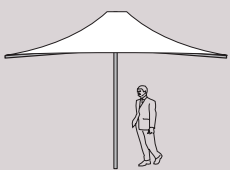
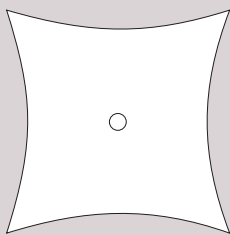
L	W	H	h	Code	Price
3000	3000	3000	2200	STPD33XXX	£4,395.00

Pod - 4m x 4m

L	W	H	h	Code	Price
4000	4000	3200	2200	STPD44XXX	£6,350.00

Pod - 5m x 5m

L	W	H	h	Code	Price
5000	5000	3800	2200	STPD55XXX	£8,795.00



Pod

- An elegant parasol-style canopy structure supported by a single mast
- Highly suitable for creating outdoor shaded picnic or dining areas, or outdoor classrooms
- Low profile canopy does not obscure surroundings
- Both canopy and immediate support beams are de-mountable
- Consists of an architectural grade PVC coated polyester canopy fitted under tension to a powder coated steel frame
- Steel work available in 8 colours as standard with further options available on request; canopies available in 8 colours - please specify when ordering
- Must be installed by specialist tensile fabric structure installers - prices are available on application



Steel Work & Canopy Colour Options



White Cream Light Grey Yellow Green Mid Blue Dark Blue Red



Iron Mountain

- A dramatic, eye-catching entrance way with a stylish contemporary design to accentuate the main doors of a building
- Designed to enhance the appearance of buildings including schools, colleges, office blocks, and corporate headquarters
- Consists of an architectural grade PVC coated polyester canopy fitted under tension to a powder coated steel frame
- Steel work available in 8 colours as standard with further options available on request; canopies available in 8 colours - please specify when ordering
- Must be installed by specialist tensile fabric structure installers - prices are available on application



Iron Mountain - 4m x 3m

L	W	H	h	Code	Price
4000	3000	4700	2500	STIM43443	£9,500.00

Iron Mountain - 6m x 3m

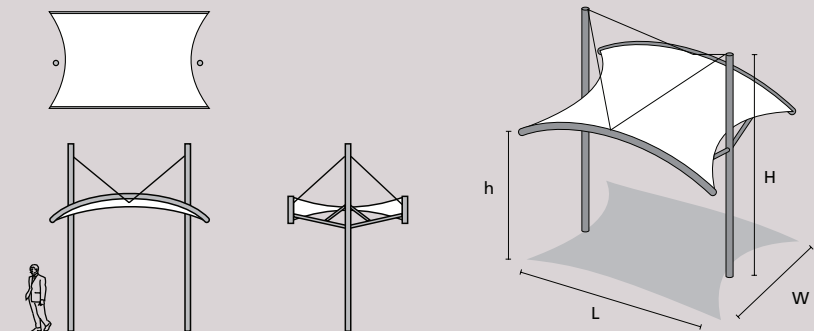
L	W	H	h	Code	Price
6000	3000	4900	2800	STIM63463	£11,250.00

Iron Mountain - 6m x 4m

L	W	H	h	Code	Price
6000	4000	4600	2800	STIM64464	£14,950.00

Iron Mountain - 8m x 4m

L	W	H	h	Code	Price
8000	4000	5000	3000	STIM84484	£21,000.00



Steel Work & Canopy Colour Options



White

Cream

Light Grey

Yellow

Green

Mid Blue

Dark Blue

Red

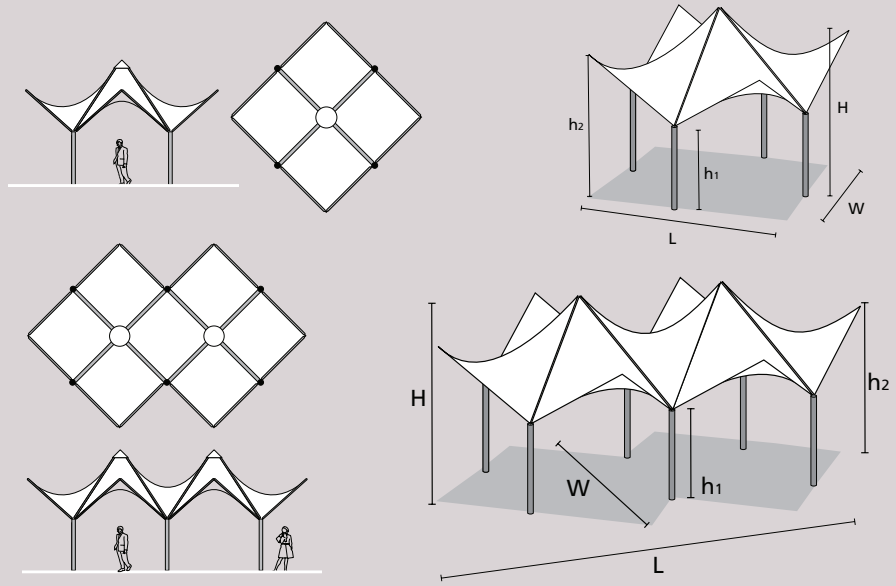


4 Section Pagoda

L	W	H	h1	h2	Code	Price
5000	5000	4700	2200	3500	STSP4S455	£7,800.00

7 Section Pagoda

L	W	H	h1	h2	Code	Price
10500	7000	4700	2200	3500	STCP7S417	£12,500.00



Pagoda

- An award winning distinctive shelter for open spaces
- Designed to provide shade from the sun over a large footprint. Makes a striking addition to school quadrangles and playgrounds, or any open space
- Consists of an architectural grade PVC coated polyester canopy fitted under tension to a powder coated steel frame
- Integral rainwater drainage through support posts
- De-mountable canopy
- Steel work available in 8 colours as standard with further options available on request; canopies available in 8 colours - please specify when ordering
- Must be installed by specialist tensile fabric structure installers - prices are available on application



Steel Work & Canopy Colour Options





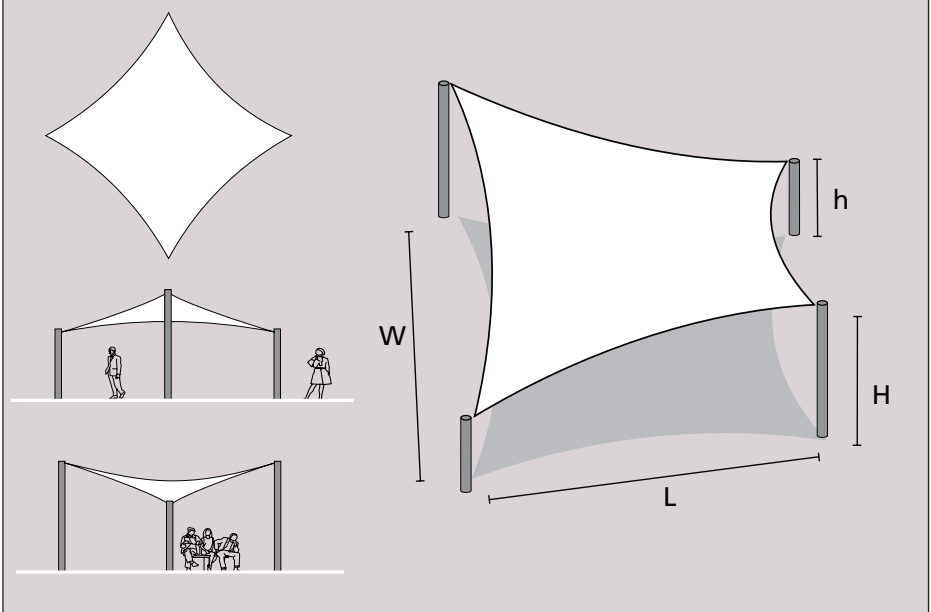
Pow Wow

- An affordable semi-permanent sun shade designed for green spaces such as parks, gardens and school playing fields
- Consists of a mesh shade cloth fitted under tension to timber support posts
- De-mountable for winter months (October - April)
- Mesh shade cloth canopy available in 5 colours - please specify when ordering
- Must be installed by specialist tensile fabric structure installers - prices are available on application



Pow Wow - 5m x 5m

L	W	H	h	Code	Price
5000	5000	3400	2200	STPOW0355	£4,000.00



Canopy Colour Options



Beige



Blue



Green



Silver



Terracotta

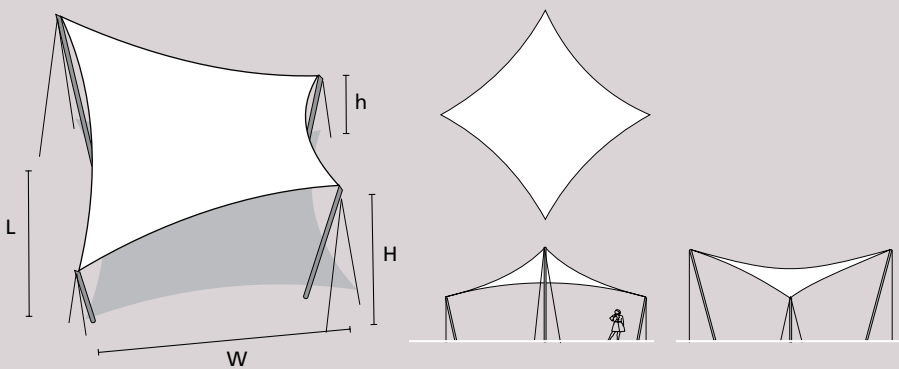


Mistral - 4m x 4m					
L	W	H	h	Code	Price
4000	4000	2800	1400	STMI44244	£5,500.00

Mistral - 5m x 5m					
L	W	H	h	Code	Price
5000	5000	4000	2200	STMI55255	£13,500.00

Mistral - 6m x 6m					
L	W	H	h	Code	Price
6000	6000	4000	2200	STMI66266	£14,000.00

Mistral - 7m x 7m					
L	W	H	h	Code	Price
7000	7000	4600	2200	STMI77477	£14,000.00



Mistral

- An elegant centre-piece canopy creating a focal point for public areas, outdoor seating and school play areas
- Consists of an architectural grade PVC coated polyester canopy fitted under tension to a powder coated steel frame
- Steel work available in 8 colours as standard with further options available on request; canopies available in 8 colours - please specify when ordering
- Must be installed by specialist tensile fabric structure installers - prices available on application



Steel Work & Canopy Colour Options



*Note - Cream is only available on 4m and 5m structures



Skylar

- A stunning sculptural feature that creates atmosphere and shade in an outdoor space
- Intended to add ambience to outside eating areas, or provide demarcation for throughfares and pedestrian walkways
- Consists of an architectural grade PVC coated polyester canopy fitted under tension to a powder coated steel frame
- De-mountable canopy
- Steel work available in 8 colours as standard with further options available on request; canopies are available in 8 colours - please specify when ordering
- Must be installed by specialist tensile fabric structure installers - prices available on application

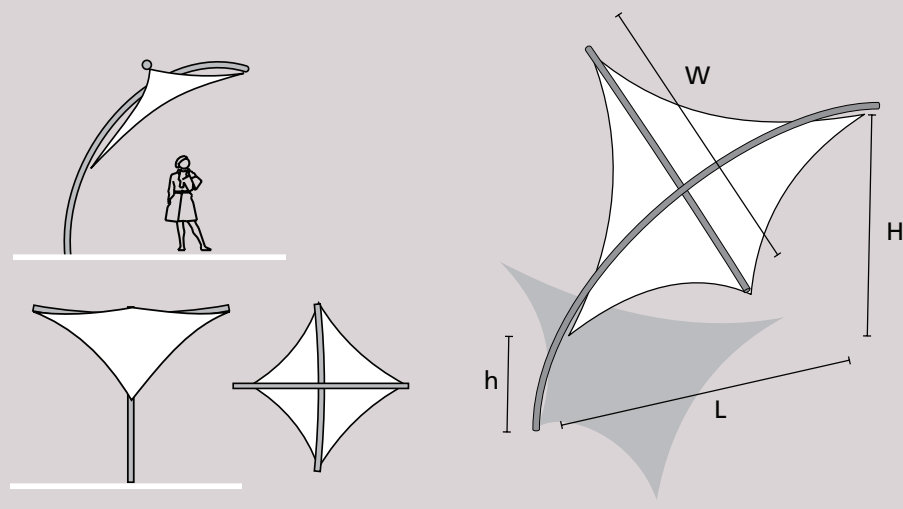


Skylar - 3m Wide

L	W	H	h	Code	Price
4000	3200	4200	2400	STSK3M434	£4,500.00

Skylar - 4m Wide

L	W	H	h	Code	Price
5000	4200	4700	2400	STSK4M445	£5,750.00



Steel Work & Canopy Colour Options



White

Cream

Light Grey

Yellow

Green

Mid Blue

Dark Blue

Red



Hull - 5m X 3m					
L	W	H	h	Code	Price
5000	3000	3700	2600	STHULL353	£8,500.00

Hull

- A modular walkway system with a contemporary design. Multiple units make ideal covered walkways for retail car parks, schools and shop fronts
- Single modules can be used as entrance features or waiting shelters
- Consists of an architectural grade PVC coated polyester canopy fitted under tension to a powder coated steel frame
- Steel work available in 8 colours as standard with further options available on request; canopies available in 8 colours - please specify when ordering
- Must be installed by specialist tensile fabric structure installers - prices available on application



Steel Work & Canopy Colour Options



*Note - Cream is only available on 4m and 5m structures



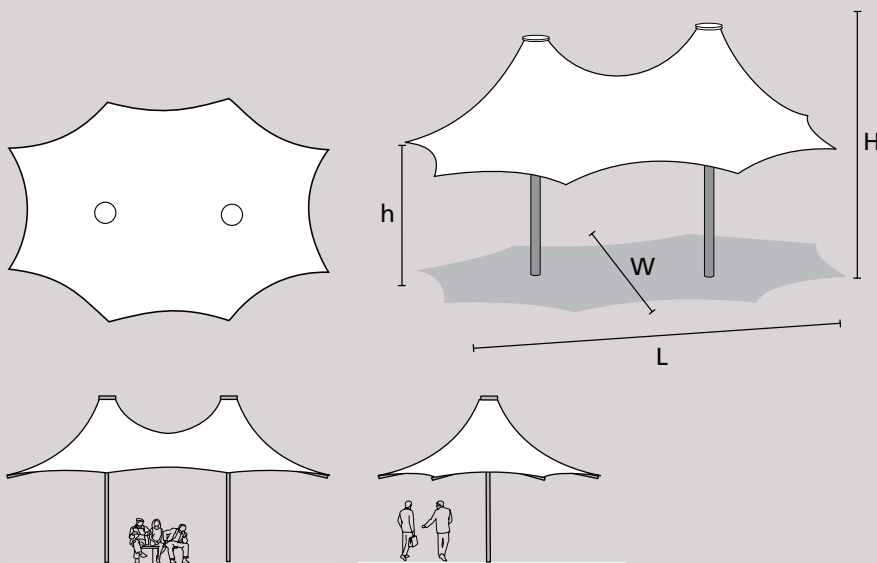
Double Conic

- A visually stunning free standing structure for a variety of uses
- Can be used to highlight and cover information points, play areas and entertainment stages
- Also highly suitable for outdoor restaurants and waiting areas or to provide a high impact entrance feature for a building
- Consists of an architectural grade PVC coated polyester canopy fitted under tension to a powder coated steel frame
- Steel work available in 7 colours as standard with further options available on request; canopies available in 7 colours - please specify when ordering
- Must be installed by specialist tensile fabric structure installers - prices available on application



Double Conic - 9m X 6m

L	W	H	h	Code	Price
9000	6000	4900	2300	STDC96496	£21,000.00



Steel Work & Canopy Colour Options



White



Light Grey



Yellow



Green



Mid Blue



Dark Blue



Red