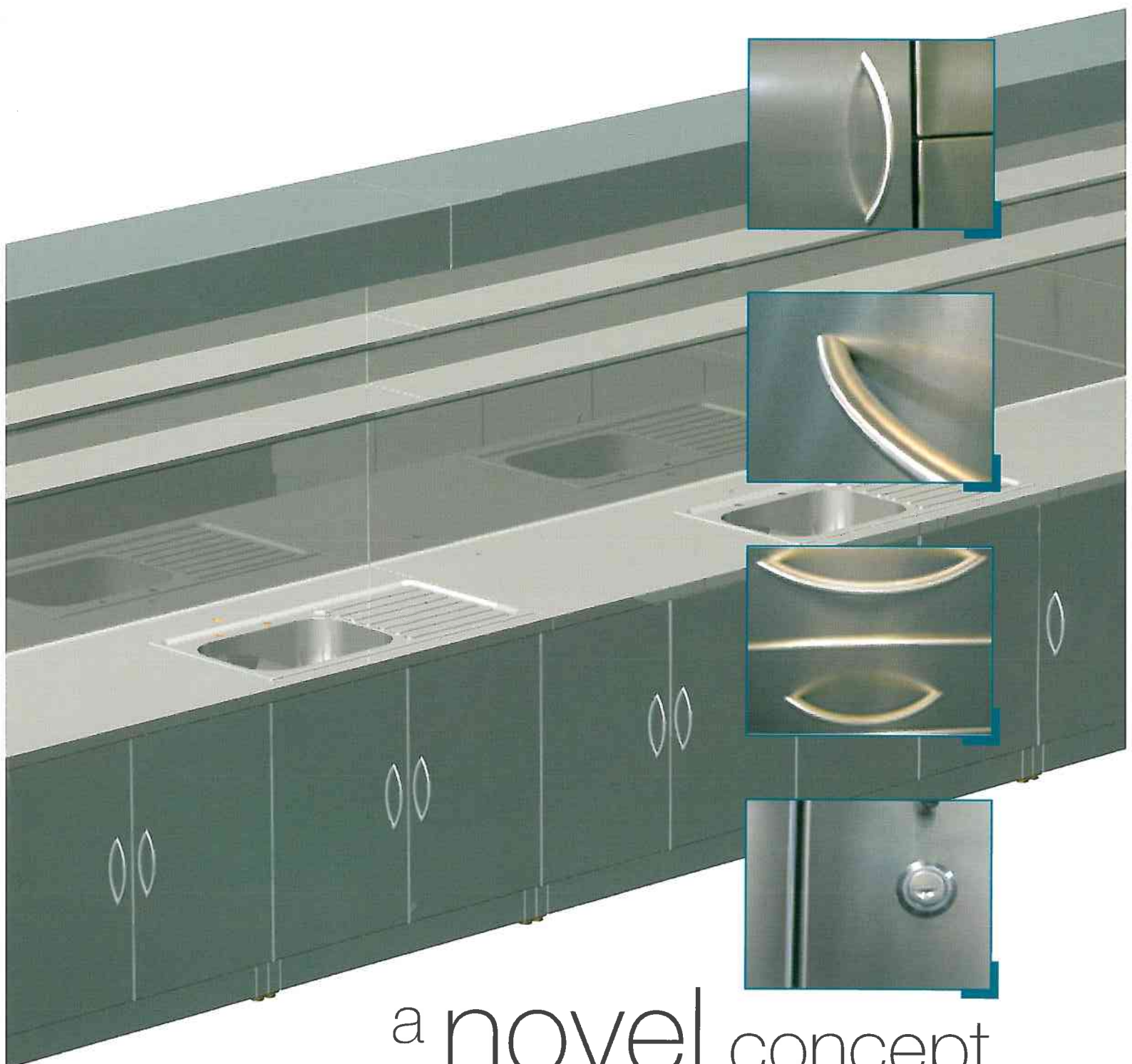


Furniture



a novel concept

Furniture: A novel concept



This unique range of modular furniture is manufactured entirely from 304 grade stainless steel to exceed the rigours of today's harsh environment. Finished in a subtle 'super-brushed' surface each unit is corrosion resistant and looks superb.

Modular yet **Unique**

Designed from a blank sheet of paper the whole concept of this range is to be modular. The base units are constructed around two common 500mm wide and 1000mm wide carcasses. Once the base unit has been selected the features of that unit then need to be chosen.



Custom yet **Standard**



The user has a wide range of options to choose from ranging from single door, door and drawer combination, four drawer unit and bin module. For each 500mm slot the user chooses whatever option they would like and then builds up the entire run of furniture to their own individual specifications.

Clinical yet **Stylish**



Finally the user chooses their work-surfaces to suit. These can include sink units, sink with drainers and custom work-surfaces. Once the base units have been chosen the user can then choose suitable wall cupboards.

Tough yet **Refined**

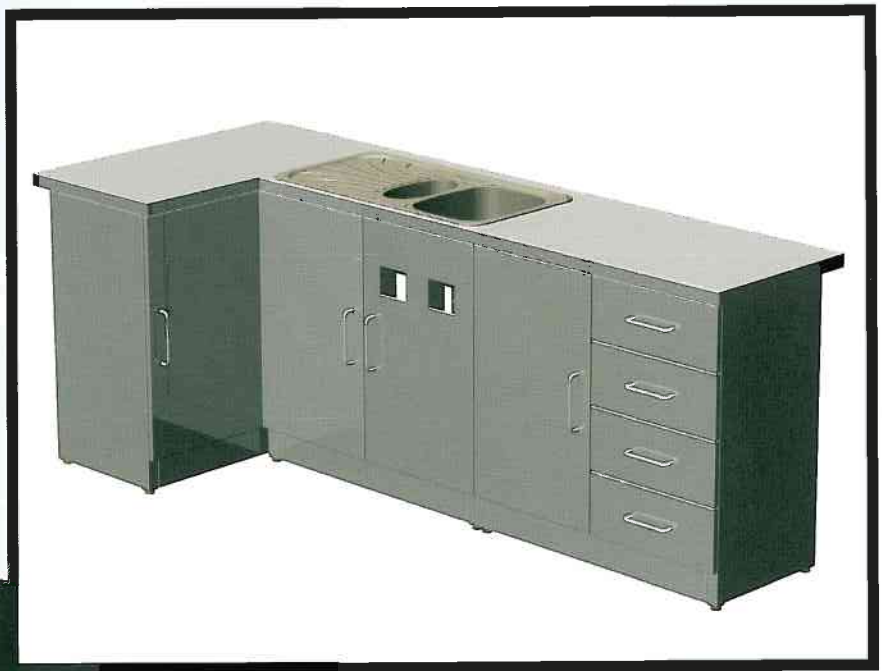


Again the wall cupboards are also based around 500mm wide and 1000mm wide carcasses. The only decision the user has to make is door choice and position.

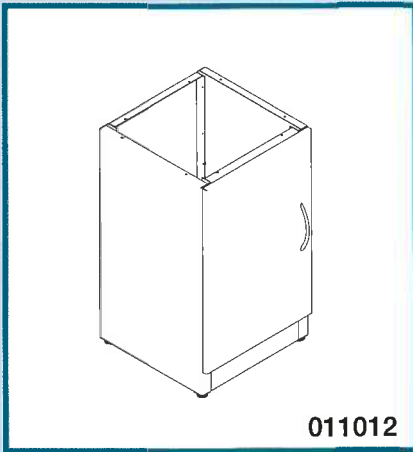
Complex yet **Simple**

Through the use of the latest 3D modelling design and state of the art manufacturing processes we have produced a range of furniture that is every site fitters dream. The work-surfaces have an 18mm overhang at the front to avoid fluid run off down the unit fronts and a 100mm overhang at the rear to allow for safe passage of all pipe-works.

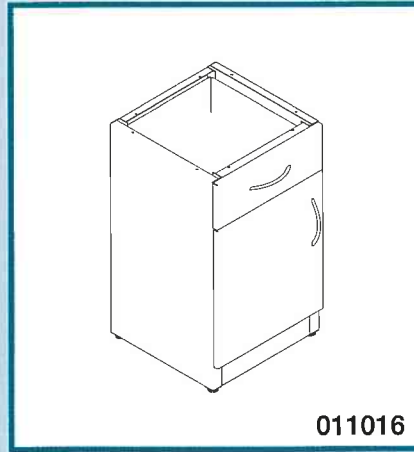
At the rear of the units all back panels are easily removable and come in full, half, third and two third heights to allow easy pipe-work entry without the need to cut anything.



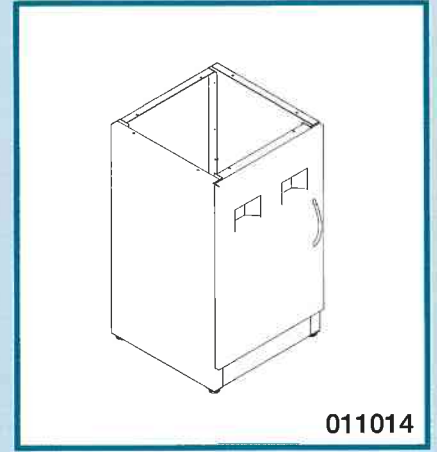
500mm wide single cupboard
LH door



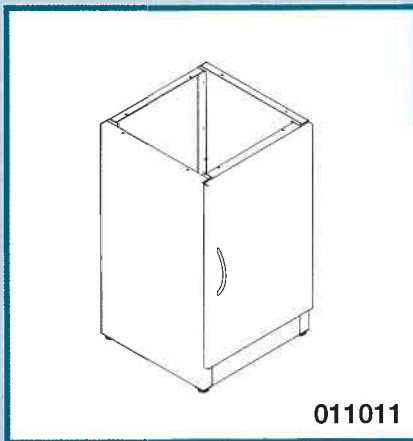
500mm wide single cupboard
LH door 1 drawer



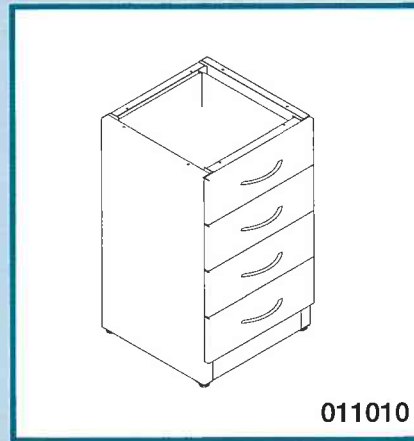
500mm wide bin module LH



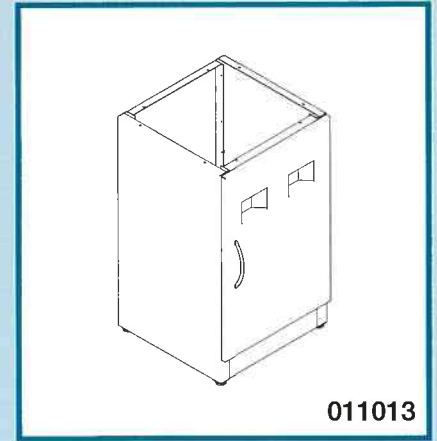
500mm wide single cupboard
RH door



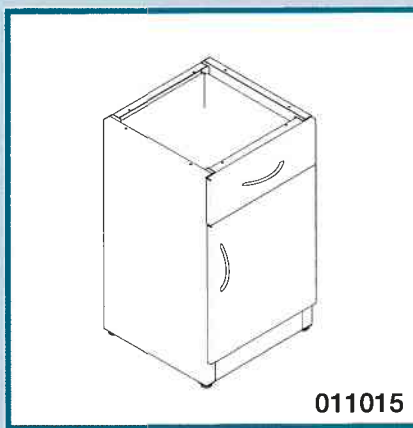
500mm wide single 4 drawer unit



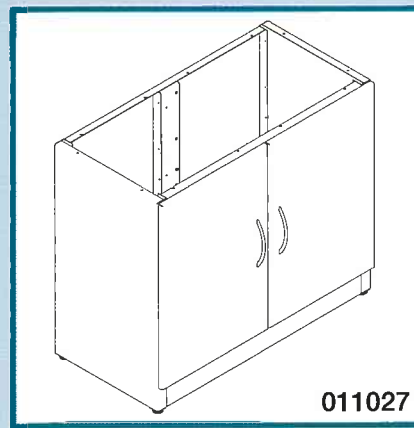
500mm wide bin module RH



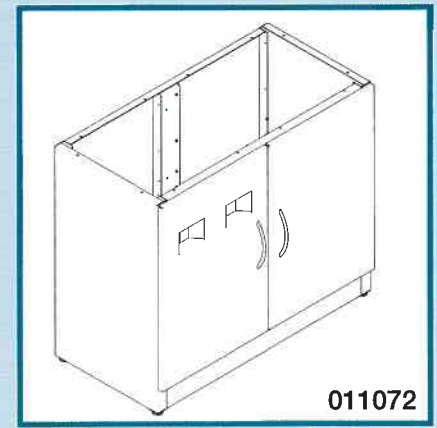
500mm wide single cupboard
RH door 1 drawer



1000mm wide double cupboard



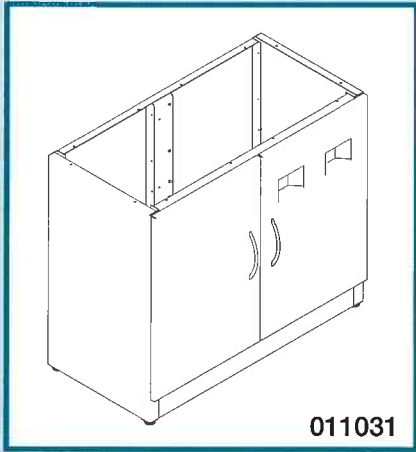
1000mm wide 1 bin module /
1 door RH



Design Service

We offer a complete design service and specialise in matching your requirements to our equipment
This service is completely free of charge.

1000mm wide 1 bin module /
1 door LH



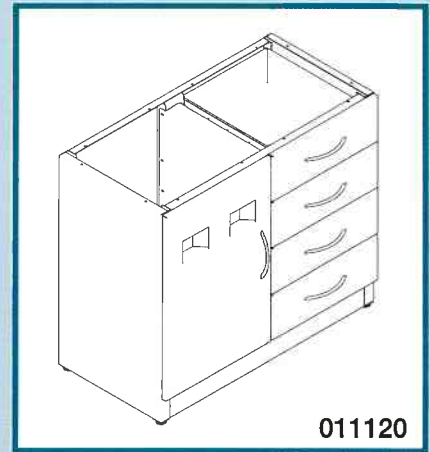
011031

1000mm wide 1 door / 4 drawer
unit RH



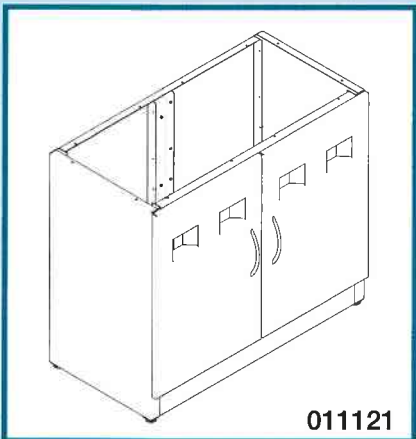
011065

1000mm wide 4 drawer / bin
module LH



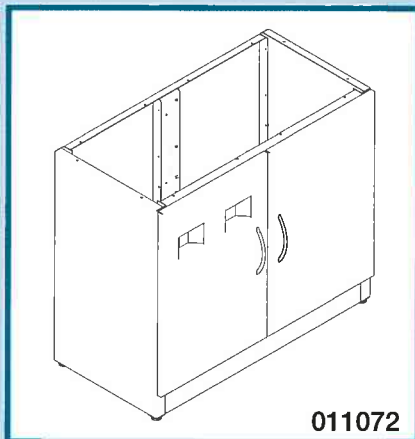
011120

1000mm wide double bin
module



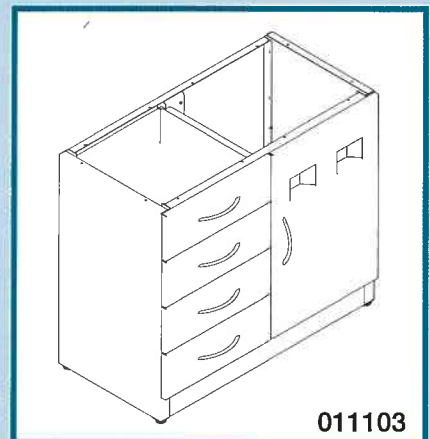
011121

1000mm wide 1 door / bin
module LH



011072

1000mm wide 4 drawer / bin
module RH



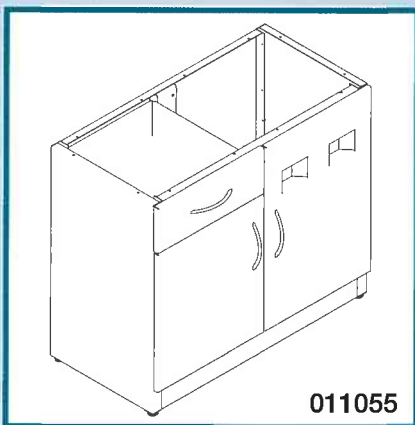
011103

1000mm wide 1 door / 4 drawer
unit LH



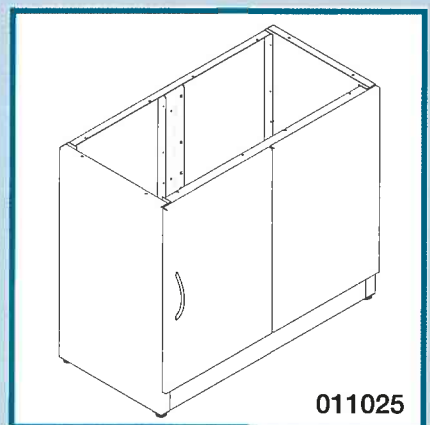
011093

1000mm wide 1 drawer 1 door /
bin module RH



011055

1000mm RH corner unit

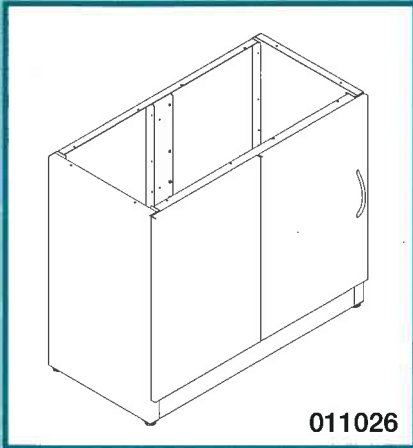


011025

Installation Service

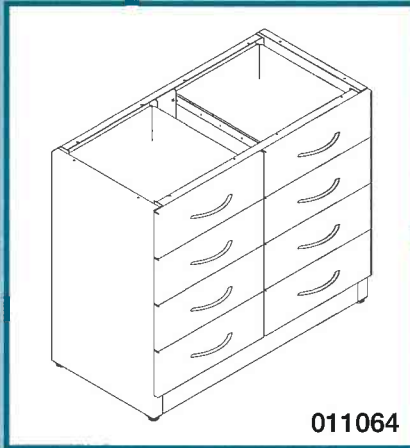
We offer a professional installation service to the highest standards.

1000mm LH corner unit



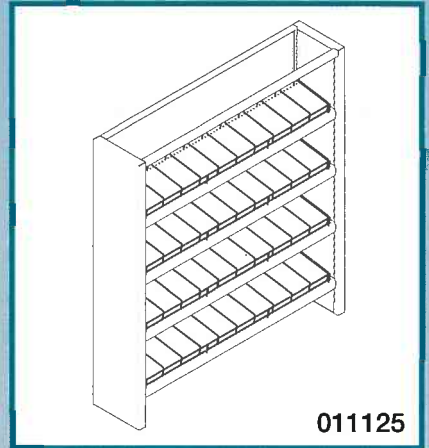
011026

1000mm 8 drawer unit



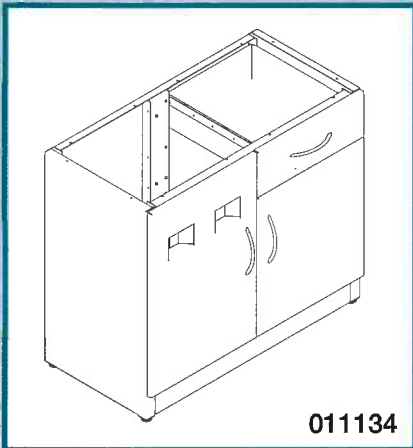
011064

1000mm dispensary unit



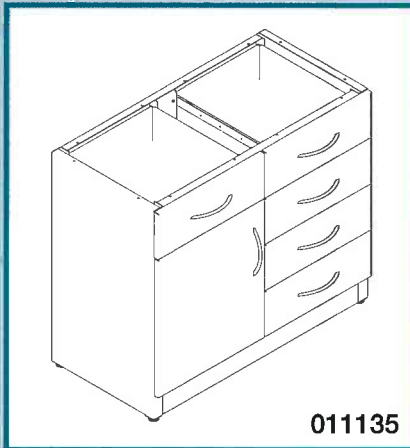
011125

1000mm wide 1 drawer 1 door/
bin module LH



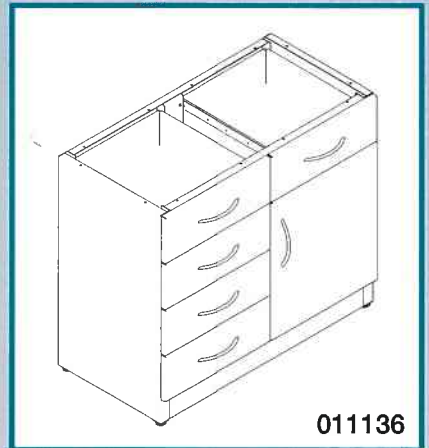
011134

1000mm wide 1 drawer 1 door/
4 drawer RH



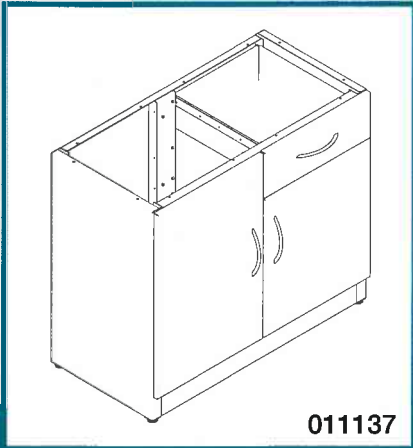
011135

1000mm wide 1 drawer 1 door/
4 drawer LH



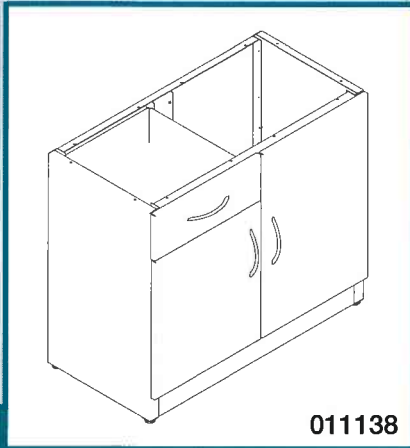
011136

1000mm wide 1 door/ 1 drawer
1 door RH



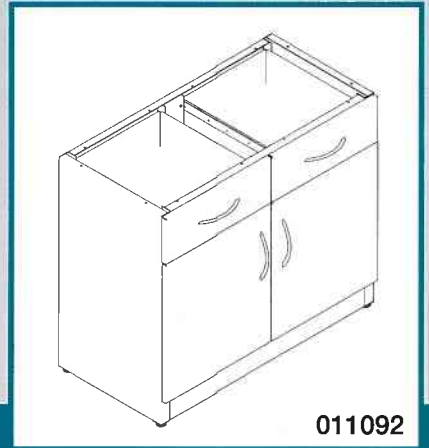
011137

1000mm wide 1 door/ 1 drawer
1 door LH



011138

1000mm wide 1 drawer 1 door/
1 drawer 1 door



011092

Syspal Ltd Technik Technology

Tel: 01632 853166

Fax: 01632 853083

Email: sales@syspal.co.uk

Website: www.syspal.co.uk

Buy Direct: www.syspaldirect.co.uk

Tel: 01632 853083

Fax: 01632 2884093

Email: sales@techniktechnology.co.uk

Website: www.techniktechnology.co.uk

Buy Direct: www.technikdirect.co.uk