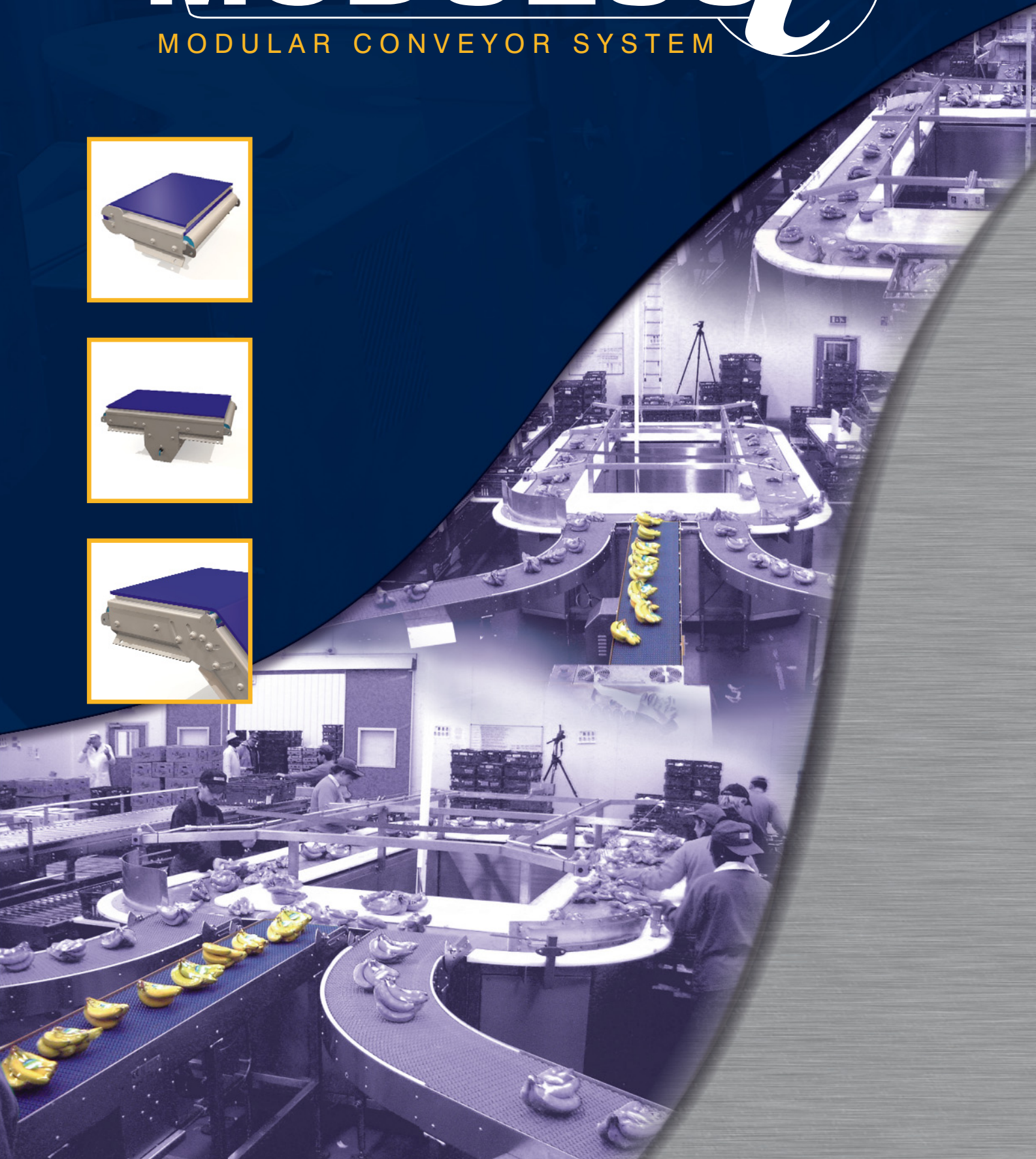
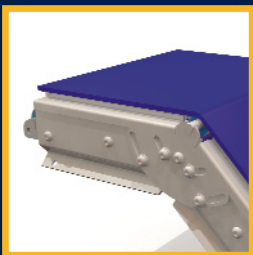
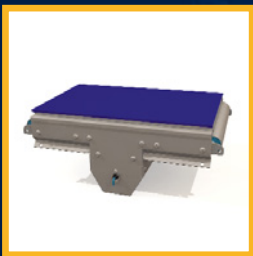
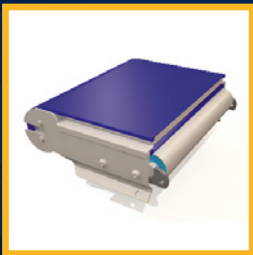


# MODULUST

MODULAR CONVEYOR SYSTEM



## Decide your direction with the unique Modulus

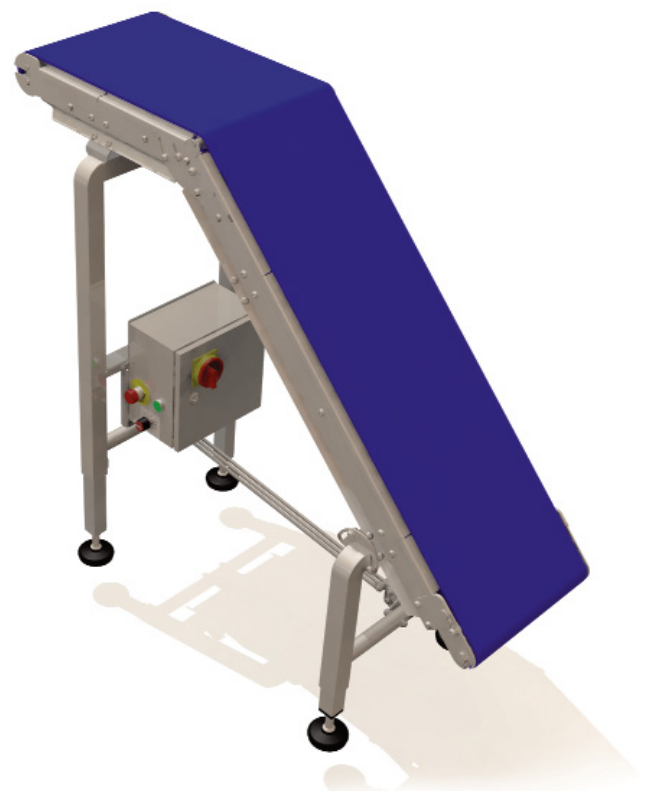
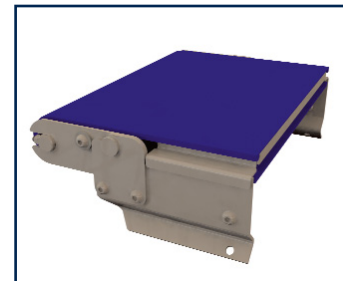
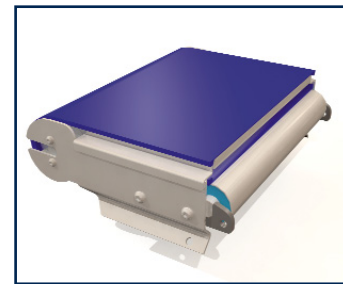
*The revolutionary Modulus-T conveyor system is a versatile solution to your equipment troubles which can be tailored to suit most applications.*

Primarily developed for use in the food industry, the Modulus-T features a stainless steel construction, food grade PU belts and all motors and panels sealed to IP65.

The easy clean design allows users to remove the belt, conveyor bed and motor for cleaning or replacement.

The modular design features three standard belt width options (320mm, 420mm, 570mm) and is available in lengths from 1 to 15 metres, in half metre increments. Three standard leg options allow a range of heights from 550mm to 1250mm. The Modulus-T can be configured to include an incline, and a choice of end drive or mid drive is available. This unique design ensures the conveyor is also adaptable to your future requirements. Simply add or remove sections as and when required.

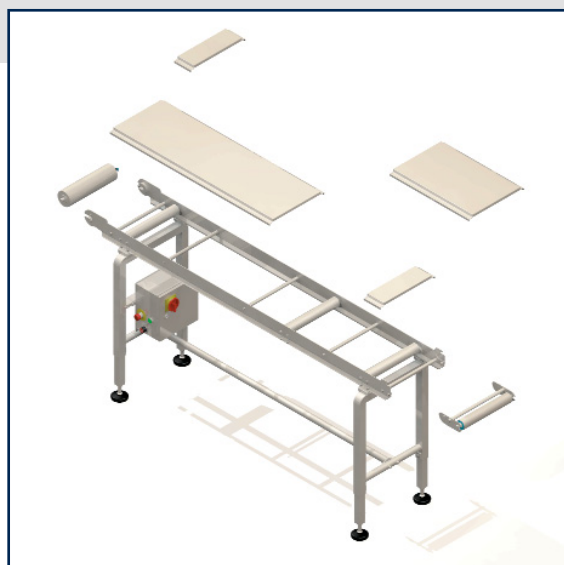
**Fast delivery is available for easy self assembly, or it can be supplied fully built, ready to run.**



S-T

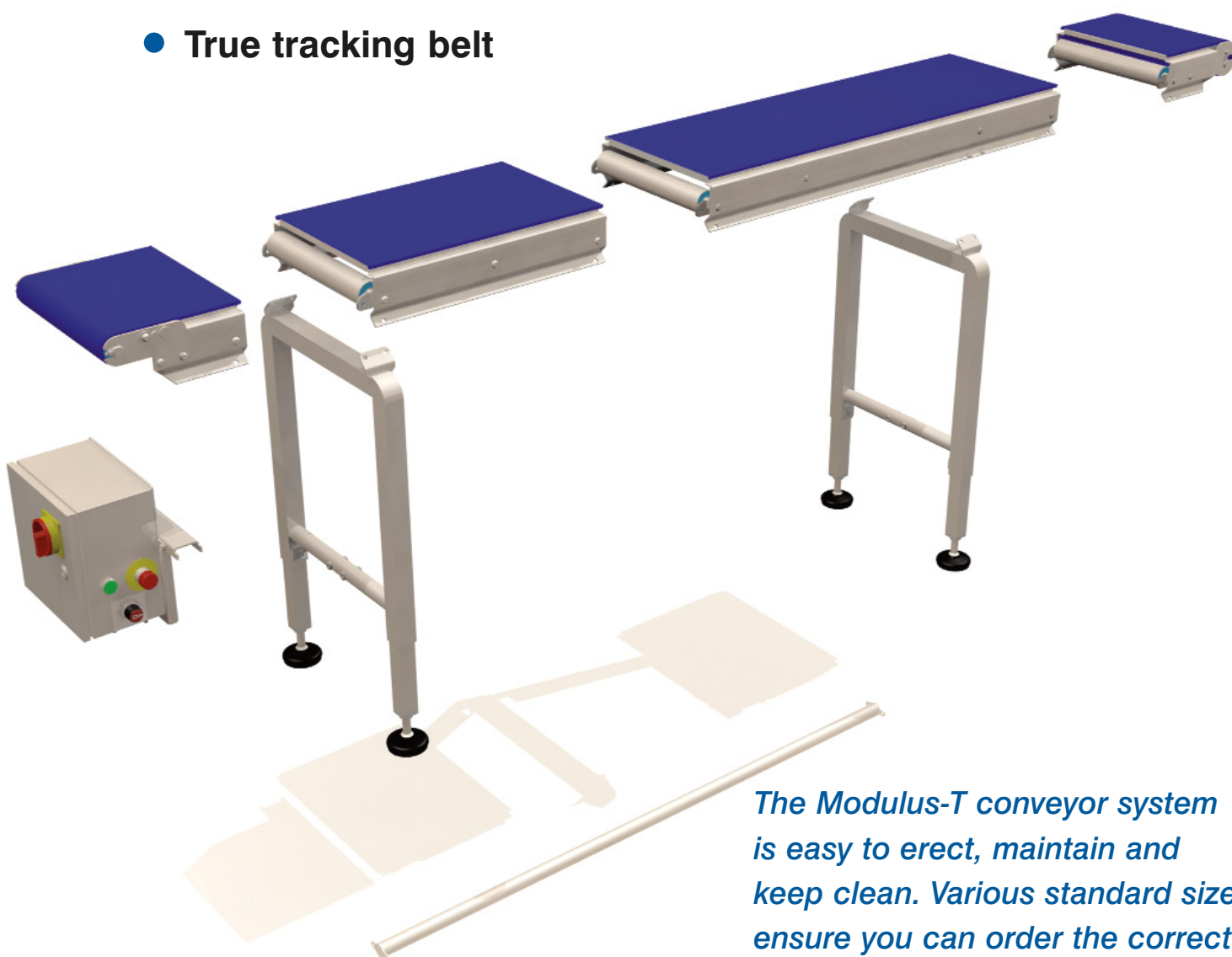
## Features include:

- Easy clean design
- Food grade as standard
- Stainless steel construction
- High quality, durable build
- Versatile modular design
- Easily adapts to future requirements
- True tracking belt



### Simple belt and motor removal!

Simply undo the quick release catches and lift the belt, conveyor bed and motor out of the conveyor skeleton. The belt and motor can be completely removed from the Modulus-T in under two minutes, depending on length. No tools required. It really is that simple!



*The Modulus-T conveyor system is easy to erect, maintain and keep clean. Various standard sizes ensure you can order the correct size for your application.*

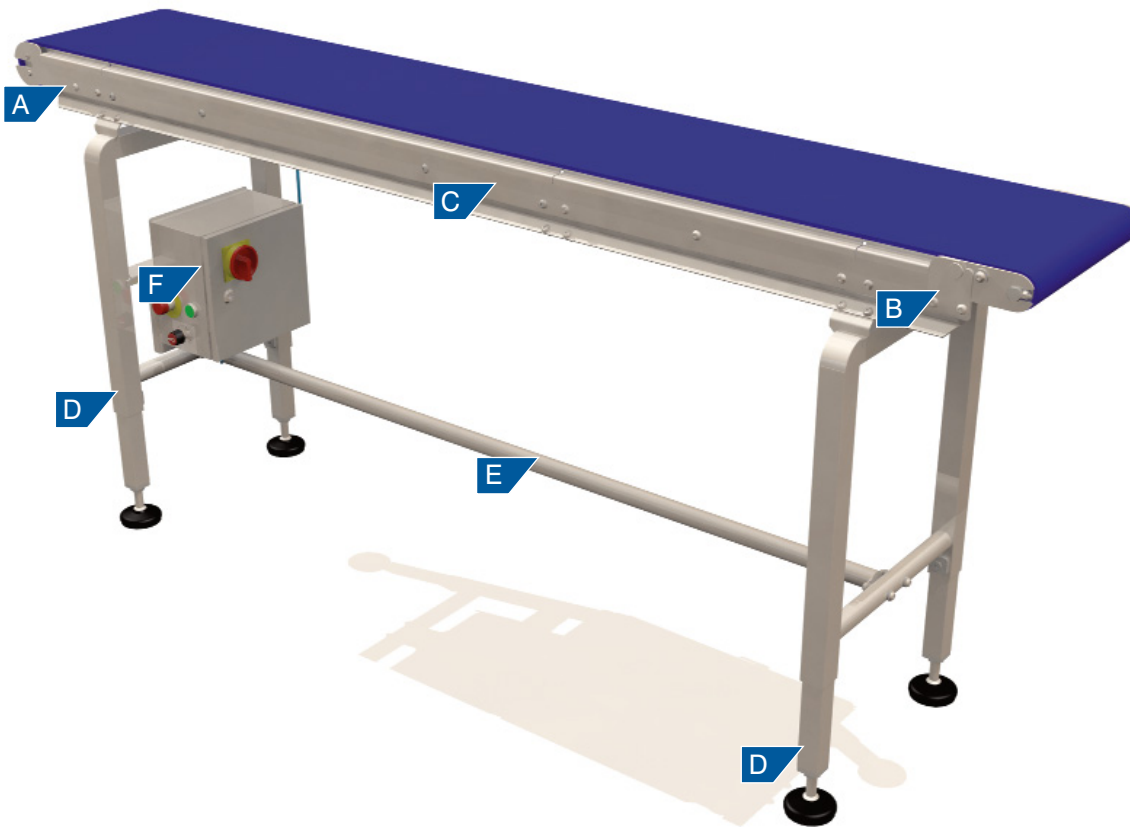
# THE MODULUS-T CONVEYOR SYSTEM

# END DRIVE

## END DRIVE

The standard end drive conveyor can be ordered in various lengths with a choice of three widths. Simply refer to the Standard Packs table at the back of this catalogue for order reference numbers.

Alternatively, select from the building block modules to create your own specification, or when ordering additional sections.



### EXAMPLE 1

This example shows a 2m long, 320mm wide end drive conveyor and its' respective parts

A LE300-082

B LI300

C LS300-500

C LS300-1000

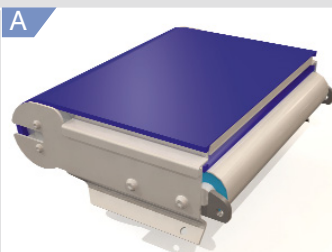
D LL300M x 2

E LB1500

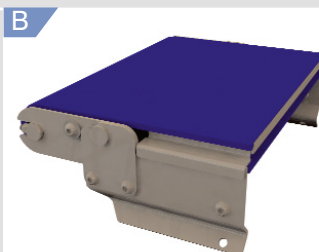
F LPV300

+ BELT

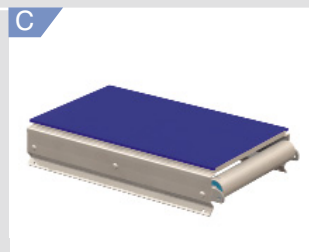
## B U I L D I N G B L O C K S



A	END DRIVE MODULE			
CODE	L (mm)	W (mm)	Ø (mm)	
LE300-082	250	320	82	
LE400-082	250	420	82	
LE550-082	250	570	82	



B	IDLER END MODULE			
CODE	L (mm)	W (mm)	Ø (mm)	
LI300	250	320	50	
LI400	250	420	50	
LI550	250	570	50	



C	STRAIGHT MODULE		
CODE	L (mm)	W (mm)	
LS300-500	500	320	
LS300-1000	1000	320	
LS300-2000	2000	320	
LS400-500	500	420	
LS400-1000	1000	420	
LS400-2000	2000	420	
LS550-500	500	570	
LS550-1000	1000	570	
LS550-2000	2000	570	

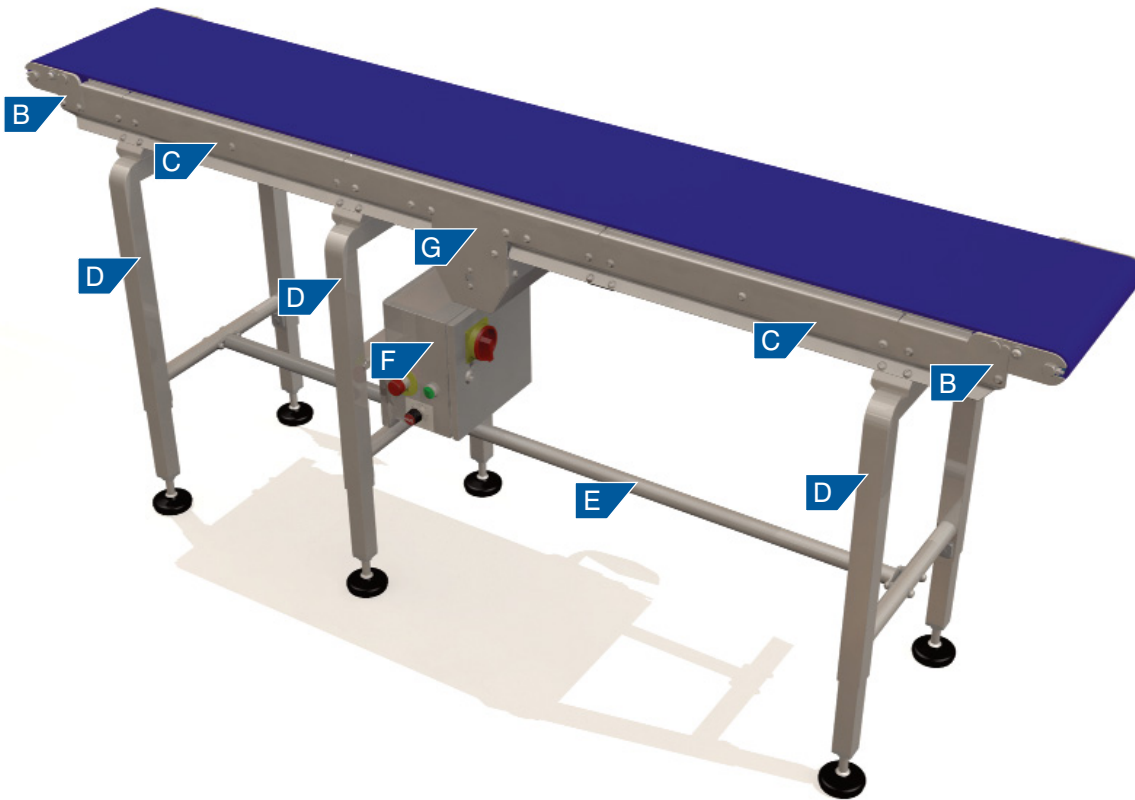
# THE MODULUS-T CONVEYOR SYSTEM

# MID DRIVE

## MID DRIVE

The standard mid drive conveyor can be ordered in various lengths with a choice of three widths. Simply refer to the Standard Packs table at the back of this catalogue for order reference numbers.

Alternatively, select from the building block modules to create your own specification, or when ordering additional sections.



### EXAMPLE 2

This example shows a 2m long, 320mm wide mid drive conveyor and its' respective parts

G LM300-082

B LI300 x 2

C LS300-500 x 2

D LL300M x 3

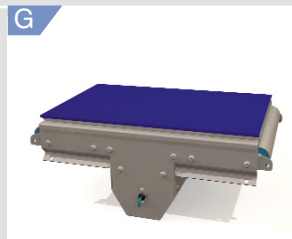
E LB500

E LB1000

F LPV300

+ BELT

## B L O C K M O D U L E S



### D STANDARD LEG MODULE

CODE	H (mm)	W (mm)
LL300S	550 - 850	320
LL300M	750 - 1050	320
LL300L	950 - 1250	320
LL400S	550 - 850	420
LL400M	750 - 1050	420
LL400L	950 - 1250	420
LL550S	550 - 850	570
LL550M	750 - 1050	570
LL550L	950 - 1250	570

### E STANDARD BRACE

CODE	L (mm)
LB500	500
LB1000	1000
LB1500	1500
LB2000	2000

### F CONTROL PANEL

VARIABLE SPEED	
CODE	W (mm)
LPV300	320
LPV400	420
LPV550	570
FIXED SPEED	
CODE	W (mm)
LPF300	320
LPF400	420
LPF550	570

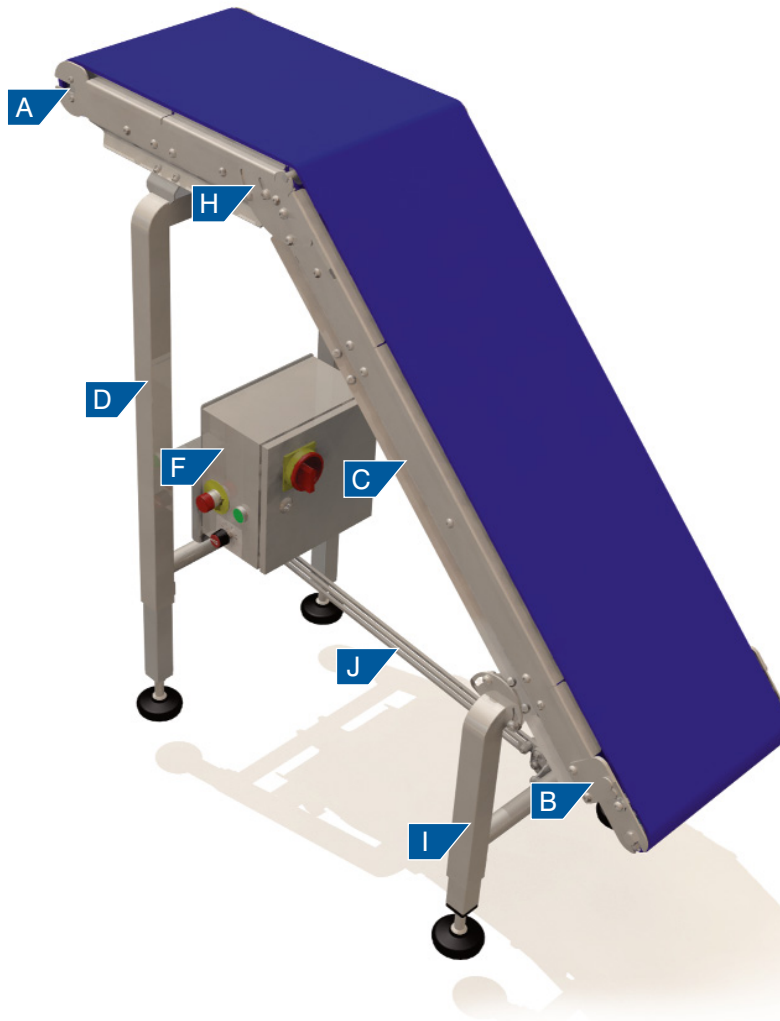
### G MID DRIVE MODULE

CODE	L (mm)	W (mm)
LM300-082	250	320
LM400-082	250	420
LM550-082	250	570

# THE MODULUS-T CONVEYOR SYSTEM

## INCLINE CONVEYOR

Although it is not available to order from the Standard Packs table, it is easy to specify an incline conveyor using the Building Block Modules on the previous two pages, and the Additional Incline Modules found below. You can also use the simple Belt Calculator to specify the correct size belt, or when ordering additional belts. For layout advice, or technical assistance, please call 01952 885135.



### EXAMPLE 3

This example shows an incline conveyor made up from the building blocks and additional incline modules

A LE300-082

B LI300

C LS300-500

D LL300L

F LPV300

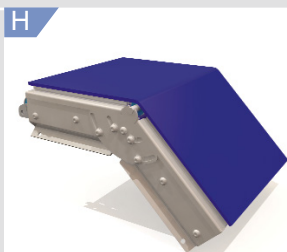
H LN300

I LLI300S

J LBA1000

+ BELT

## ADDITIONAL INCLINE MODULES



H	NOSE OVER MODULE		
CODE	L (mm)	W (mm)	
LN300	250	320	
LN400	250	420	
LN550	250	570	



I	INCLINE LEG MODULE		
CODE	H (mm)	W (mm)	
LLI300S	550 - 850	320	
LLI300M	750 - 1050	320	
LLI300L	950 - 1250	320	
LLI400S	550 - 850	420	
LLI400M	750 - 1050	420	
LLI400L	950 - 1250	420	
LLI550S	550 - 850	570	
LLI550M	750 - 1050	570	
LLI550L	950 - 1250	570	



J	ANGLE BRACE	
CODE	L (mm)	
LBA500	500	
LBA1000	1000	

# STANDARD PACKS

All conveyors listed below are supplied with a variable speed motor and telescopic legs with a height range from 750mm to 1050mm as standard.

CONVEYOR LENGTH	END DRIVE CONVEYORS			MID DRIVE CONVEYORS		
	320mm Wide	420mm Wide	570mm Wide	320mm Wide	420mm Wide	570mm Wide
	CODE	CODE	CODE	CODE	CODE	CODE
1.0m	LC3010E	LC4010E	LC5010E	LC3010M	LC4010M	LC5010M
1.5m	LC3015E	LC4015E	LC5015E	LC3015M	LC4015M	LC5015M
2.0m	LC3020E	LC4020E	LC5020E	LC3020M	LC4020M	LC5020M
2.5m	LC3025E	LC4025E	LC5025E	LC3025M	LC4025M	LC5025M
3.0m	LC3030E	LC4030E	LC5030E	LC3030M	LC4030M	LC5030M
3.5m	LC3035E	LC4035E	LC5035E	LC3035M	LC4035M	LC5035M
4.0m	LC3040E	LC4040E	LC5040E	LC3040M	LC4040M	LC5040M
4.5m	LC3045E	LC4045E	LC5045E	LC3045M	LC4045M	LC5045M
5.0m	LC3050E	LC4050E	LC5050E	LC3050M	LC4050M	LC5050M
5.5m	LC3055E	LC4055E	LC5055E	LC3055M	LC4055M	LC5055M
6.0m	LC3060E	LC4060E	LC5060E	LC3060M	LC4060M	LC5060M
6.5m	LC3065E	LC4065E	LC5065E	LC3065M	LC4065M	LC5065M
7.0m	LC3070E	LC4070E	LC5070E	LC3070M	LC4070M	LC5070M
7.5m	LC3075E	LC4075E	LC5075E	LC3075M	LC4075M	LC5075M
8.0m	LC3080E	LC4080E	LC5080E	LC3080M	LC4080M	LC5080M
8.5m	LC3085E	LC4085E	LC5085E	LC3085M	LC4085M	LC5085M
9.0m	LC3090E	LC4090E	LC5090E	LC3090M	LC4090M	LC5090M
9.5m	LC3095E	LC4095E	LC5095E	LC3095M	LC4095M	LC5095M
10.0m	LC3100E	LC4100E	LC5100E	LC3100M	LC4100M	LC5100M
10.5m	LC3105E	LC4105E	LC5105E	LC3105M	LC4105M	LC5105M
11.0m	LC3110E	LC4110E	LC5110E	LC3110M	LC4110M	LC5110M
11.5m	LC3115E	LC4115E	LC5115E	LC3115M	LC4115M	LC5115M
12.0m	LC3120E	LC4120E	LC5120E	LC3120M	LC4120M	LC5120M
12.5m	LC3125E	LC4125E	LC5125E	LC3125M	LC4125M	LC5125M
13.0m	LC3130E	LC4130E	LC5130E	LC3130M	LC4130M	LC5130M
13.5m	LC3135E	LC4135E	LC5135E	LC3135M	LC4135M	LC5135M
14.0m	LC3140E	LC4140E	LC5140E	LC3140M	LC4140M	LC5140M
14.5m	LC3145E	LC4145E	LC5145E	LC3145M	LC4145M	LC5145M
15.0m	LC3150E	LC4150E	LC5150E	LC3150M	LC4150M	LC5150M

B E L T		C A L C U L A T O R			
	Length for one (mm)		Qty	Length (mm)	
End Drive Module	554	x	1	=	
Mid Drive Module	1324	x	1	=	
Idler End Module	521	x		=	
Nose Over Module	994	x		=	
Straight Module - 500mm	998	x		=	
Straight Module - 1000mm	1996	x		=	
Straight Module - 2000mm	3992	x		=	
					Total Belt Length: _____



**Syspal Ltd**

Cockshutt Lane Broseley  
Telford Shropshire TF12 5JA

T: +44 (0)1952 883188

F: +44 (0)1952 884093

E: [sales@syspal.co.uk](mailto:sales@syspal.co.uk)

W: [www.syspaldirect.co.uk](http://www.syspaldirect.co.uk)