

Powered Access specialist

for truck & track mounts
throughout the UK

WILSON
ACCESS HIRE



AFI group of companies

Raising standards in Powered Access hire, sales, and industry & construction training.



Hire

We provide a UK wide hire network of over 5,000 modern Powered Access machines through 20 depots. With reach heights from 3.60m to 55m they include push around verticals, mast lifts, scissor lifts, articulating booms, stick booms, truck & track mounts as well as telehandlers. AFI Hire operates three brands which includes AFI-Uplift, AJ Rentals and Wilson Access Hire, each giving their own unique solution to working at height.

Sales

We sell new and used Powered Access equipment through our dedicated team of access experts. We are able to source new equipment from manufacturers or provide used machines from our own extensive fleet. Each used machine comes fully inspected with a six month LOLER certificate and the option to purchase a service maintenance agreement. We also have a range of flexible finance options available and you can sell your old machine to us directly through webuyanyaccessplatform.com

Training

We are a specialist provider of Health, Safety and Skills training for industry, construction and maintenance and due to our Powered Access heritage, we are a leading provider of Working at Height training. All industry related training is delivered through our well respected UTN Training brand. We also offer an extensive range of NVQ assessments through our Integrated Training Solutions brand.

Safety

We hire innovative, cost effective and robust solutions for Powered Access safety and security that are easy to install and simple to use. WorkZone is a range of professional products designed to aid and protect those who work at height, and to keep the machines secure. See page 10 for more details and visit our website to view the product videos.

The AFI group of companies brand's include:



Visit afi-group.co.uk for more information.

Contents

Modern, reliable & versatile	4
Truck & Track mount intro	5
Industry Sectors	6 - 9
Hiring Checklist	10 - 11
Our Services	12 - 13
Truck Mounts	14 - 43
Track Mounts	44 - 59
AFI Sales	60
AFI Training	61

The information given in this technical specification guide is for guidance only and does not form a contract or agreement. It may change at any time in accordance with manufacturer's specifications and other legislative regulations.



Modern, Reliable & Versatile

Wilson Access hire, a part of the AFI group of companies, are one of the fastest growing and well respected companies in the specialist powered access industry.

We provide a comprehensive range of truck and track mounted platforms, with national coverage, which can be tailored to your specific needs.

We are experts in our industry with a flexible and innovative working approach, so whatever your project involves, we are keen to find you the most suitable machine for your application.

Our philosophy is to provide a safe, reliable and innovative solution to your working at height needs, whilst being cost efficient. We support this philosophy by maintaining a modern fleet of machines, with an average fleet age of 4 years and supplying leading manufacturers including Palfinger, CTE, Ruthmann and Teupen.

Our experienced team is our greatest asset and are on hand to advise you of the most suitable machine for your project. We pride ourselves on our first class customer service, always putting the customer at the heart of everything we do.

As part of the AFI group of companies, we have the following awards and accreditations:



Truck Mounts

REACH HEIGHTS - 20.00m - 57.00m

With exceptional reach heights of up to 57m, our Truck Mounts are a cost-effective way for working at height in a variety of applications. Truck mounts are found to be more efficient and easier for getting around to and from sites, quickly and ready to use in minutes.

We offer a Self-drive option* on our smaller models, and also a long term hire contract option for ongoing projects.

All of our truck mounts can be supplied with a highly experienced operator, enabling you to focus on the job in hand. We offer trucks which are Chapter 8 compliant*, ensuring best practice when working on jobs involving highways.

Our range of jumbo class truck mounts are ideal for suiting customers looking for maximum working height and maximum outreach with working reach heights up to 57m.



Track Mounts

REACH HEIGHTS - 13.00m - 23.00m

A good solution for both indoor and outdoor projects, our track mounts are a versatile and flexible approach to working at height. Available to hire either as a self drive* option, or with one of our experienced operators.

Our fleet of Teupen Leo track mounts can fit through standard single doors and are able to manoeuvre through tight spaces and around obstacles.

Light and gentle with non-marking tracks, perfect for use in various indoor applications and extreme and robust capabilities for outdoor applications.

Their ability to climb stairs, work on steep inclines, access narrow areas, work indoors and provide a stable work platform at height has secured their growing popularity.

*Self-Drive option available on our TM20 and TM21 truck mounts with a valid UK driving license and category 1b IPAF license and appropriate vehicle insurance.

Industry Sectors

Our range of truck and track mounts are the perfect solution for working at height in a number of different applications. Below is just a selection of industries we provide powered access to.

Choose the right machine with our help.
Call one of our hire desk controllers on 0844 288 9338

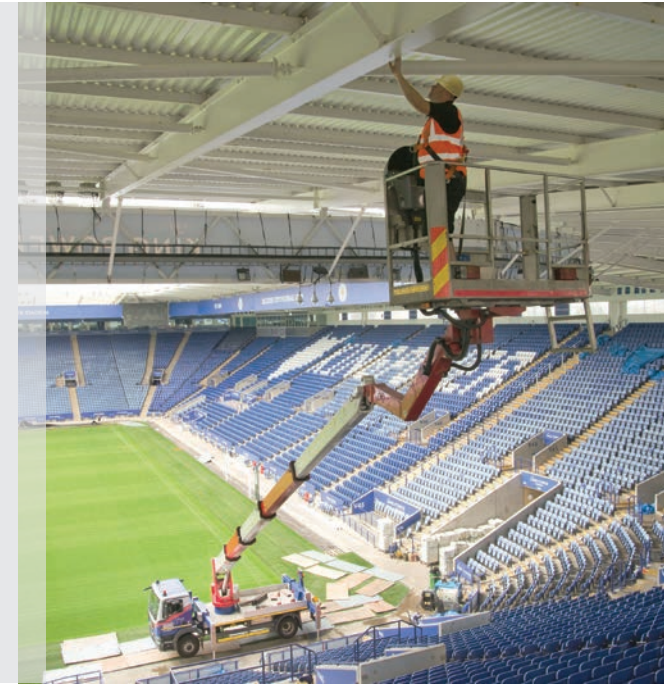
Signage

Our self-drive truck mounts with reach heights up to 21.00m are a popular choice within this sector, offering chapter 8 compliance. We provide flexible hire options through short or long term contracts. For larger scale rebranding signage our range of jumbo class truck mounts offer exceptional reach heights up to 57m.



Facilities Management

The compact and lightweight indoor capabilities of our track mount fleet are the ideal solution for indoor facilities management work. Extreme and robust outdoor capabilities ideally suited for glass and facade cleaning, roofing and building maintenance.



Telecoms

Our dedicated team are available to plan and manage your requirements for working at height in the telecoms sector. Offering traffic and pedestrian management options, we are able to deliver a full telecoms package. You can contact us 0844 288 9338 to discuss your specific needs.



Media, Television & Filming

An established and trusted name in the film, TV and media industries, supplying truck and track mounts for both filming and lighting applications.

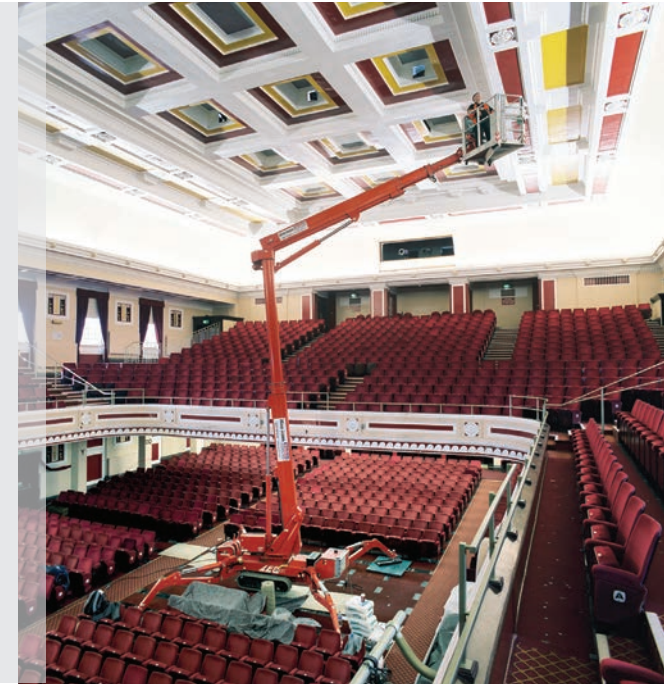
Our media-friendly staff are highly professional, discreet and ready to move quickly into place as required, ensuring you obtain the optimum filming and lighting angle.

We also offer weekend and out of hours hire, 7 days a week, ideally suiting this industry.



Painting & Decorating

Our machines are a very popular choice for painters and decorators. Our track mounted platforms are renowned for their versatile capabilities, the perfect solution for both indoor and outdoor projects. Compact, agile and lightweight, they provide a solution for applications requiring low point loadings where height and outreach is required.



High Level Cleaning

Our fleet offers maximum heights and outreach and will ensure that you complete your cleaning project not only safely but in a time and cost effective manner. Having one of our experienced operators means you can minimise downtime and focus on the job in hand. With a working height of 35.00m and a huge horizontal outreach of 30.00m, our Palfinger WT350 35m truck mount enables cleaning in hard to reach areas.



Forestry & Tree Care

Our track mounts are the choice machine for forestry, tree and landscape care. Hydraulically adjustable tracks and variable jacking options are ideal for working on gradients. Track mounts show versatility like no other access platform. They are light in weight which allows for minimum ground pressure as well as being a true rough terrain machine enabling you to work on various terrains from parks and patios to forests and woodland.



*Outreach will vary depending on working capacity, rotation and outrigger configuration.

Hire Checklist

Experts in our industry with a flexible and innovative working approach, Wilson Access Hire can help ensure your project runs safely and cost effectively, providing solutions for even the most challenging of projects.

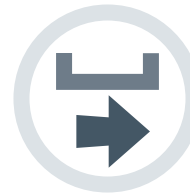
Before hiring a track or truck mounted access platform from us, there are a few things which you should consider.

Our experienced team are on hand to answer any questions you may have on 0844 288 9338 or you can visit our FAQ page wilsonaccess.co.uk/FAQ



CARRYING WEIGHT

Always check the safe working load of the machine before operating. Calculate the weight of the operative (average male 85kg) plus tools and compare the total to the machine's safe working load.



REQUIRED OUTREACH

The measurement from the centre of the turret to the maximum outreach plus an extra 0.5 metre.



DURATION OF HIRE

Depending on how long you need to hire your machine for could affect the type of machine that would be best to hire. We offer everything from one day to long term fixed contract hires.



WIND SPEED

Working in unsafe wind conditions is dangerous. Always refer to the machine operators manual for the maximum safe wind speed and double check by using an anemometer.



WORKING HEIGHT

The measurement from ground level to maximum platform height, plus an extra 2 metres.



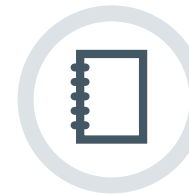
GROUND CONDITIONS

Ground conditions make a substantial difference to the performance of your machine. Working on a gradient, wet or rough terrain will affect the choice of equipment. Always check ground conditions and floor weight restrictions. We recommend that you discuss this with our team before hiring. Our site surveys can assess and advise any potential challenges and recommend the right machine for your job.



WHICH OPERATOR

All of our truck and track mounts are available for hire with an experienced and qualified operator. We also offer a self-drive option on a selection of our truck mounts and our full fleet of track mounts. Operators must hold the correct MEWP category training certificate and operator card. It is your responsibility to check if your operator's training is correct and up to date. To find out more about our IPAF training options call 08707 871 511 or visit utntraining.co.uk



MACHINE OPERATORS MANUAL & MACHINE FAMILIARISATION

Before operating any machine, always remember to read through the machine operator's manual. We highly recommend that your operator is familiarised fully with the machine. We ensure our drivers offer all the necessary information on the machine handover.

We offer familiarisation video guides on a select range of machines in our fleet which cover a range of topics from pre-use inspection to emergency procedures. For more information visit wilsonaccess.co.uk/fam



Our Services

TRAFFIC MANAGEMENT

Safety is paramount when working at height, especially on high-speed roads or in busy or restricted city centres. We offer a complete traffic and pedestrian management service which to ensure that every hire operates in a safe environment.

We can help you by:

Obtaining local authority approval.

Providing correct & legal signage.

Organising the correct traffic and pedestrian management.

With one phone call you can organise and price both your truck and track mount hire and the traffic management required, saving you time and money. Let us deal with the details, leaving you to concentrate on the job at hand.

48H DELIVERY*

We automatically accept all orders for delivery on a selection of operated truck mounted machines within 48 hours* from an order being placed.

*48 hours is from point of order to point of delivery. Certain models excluded. Available only on operated trucks up to 35m. Truck mounted geographical exclusions apply for Scotland, Cumbria, South West England, Middle & South West Wales.

LONG TERM HIRE

Offered on our self-drive truck mounts, we offer competitively priced reduced hire rates. There are a number of benefits to our long term hire plan.

Fixed, easy monthly payments mean no capital outlay, increasing your cash flow.

All mandatory safety inspections are managed by us so you can avoid costly maintenance bills.

Flexibility, you are in control. Reduce downtime and increase productivity. This is ideal for multiple site locations.

At the end of the contract you can choose to return the machine, replace with another machine or purchase the machine outright.

For more information visit wilsonaccess.co.uk/longtermhire or call us on 0844 288 9338.

OUT OF HOURS & WEEKEND HIRE

We understand that not all businesses work 9 - 5, 5 days a week, so we offer weekend and out of hours hire on all of our machines.

SITE SURVEY

Time is money and the last thing you want is to arrive on site to find that you don't have the right equipment for the job.

Our free site survey service ensures that all our hires run smoothly from initial enquiry to job completion.

Avoid costly delays to your job by trusting in our professional team, who will survey your site and make the right decisions for your access platform hire, however unusual or awkward the job.

You can have the peace of mind that your job will start on time, every time, with the truck or track mount in place.

Included in our site survey we will:

Visit site & attend timed meetings

Take all critical measurements

Specify the correct type of truck or track mount

Investigate avoidable hazards

Establish if further special equipment is required

To be certain that your work will be cost effective, conducted safely and completed on time, book a free site survey now.

TERMS & CONDITIONS

*As part of the AFI group of companies; long term hire leases are managed through AFI Resale.

Prices are based on a signed lease term contract over a 3 year period.

Other terms are available.

Prices can be subject to change.

Finance options are only available to customers in England, Scotland and Wales.

Credit is subject to status.

Finance subject to availability.

No deposits are required subject to status; however VAT may be required to be paid up front.

Finance schemes run by AFI Resale or any other brand of the AFI group of companies is subject to agreement of AFI Finance Terms & Conditions.

AFI Uplift reserves the right to withdraw these finance options at any time.

Ground Mats

We are able to arrange the supply of ground mats to provide temporary access and ground protection over soft or sensitive ground, suitable for a number of applications.

Barriers

We can arrange hire of a range of barriers to create a safe working area supporting the protection of operators and members of the public during construction and road activities.

Purchase / Hire of accessories

Harnesses and Lanyards.

The HSE, IPAF and Wilson Access recommend that a full body harness with an adjustable restraint lanyard is used and correctly attached when working from a boom type platform.

It is the customer's responsibility to supply their own harness as standard PPE for their hire. We have harnesses readily available as a sale item.

Our harnesses and adjustable restraint lanyards are easy to fit and comply with all current legislations. Harness max weight is 136kg. Please note that lanyards are not sold individually and are only available to purchase with a harness.

Outrigger pads

Outrigger pads are designed to enable an even spread of load to create a more stable lift from the machine.

We can supply pads for hire for circumstances such as a change in surface terrain, the working environment and point loadings.

Transformers & Leads

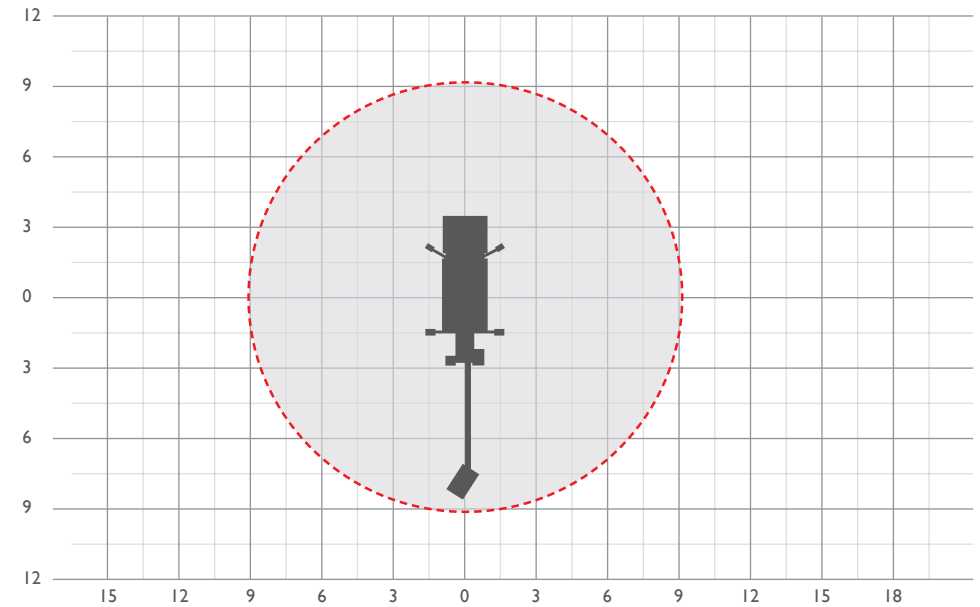
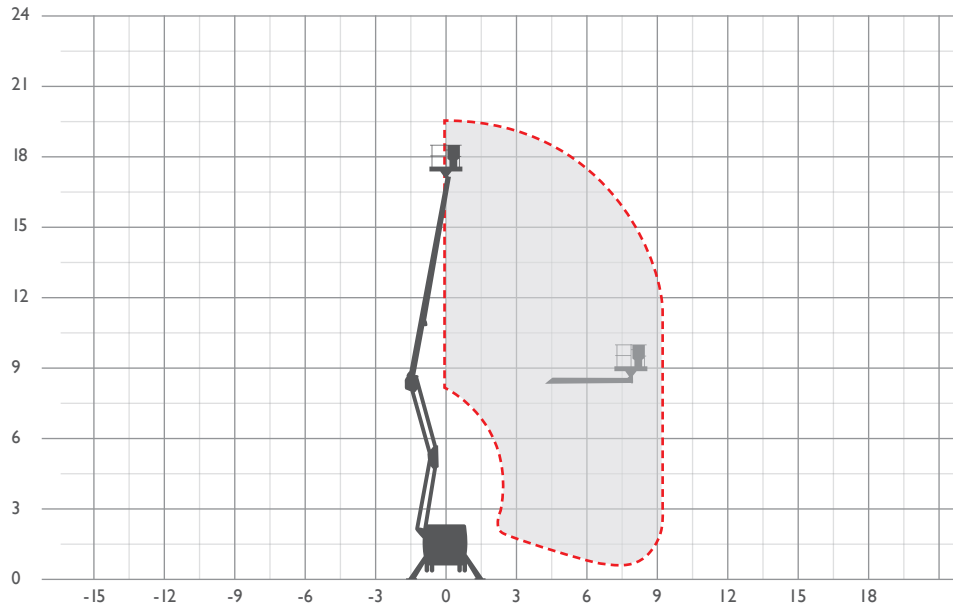
Transformers and leads can be supplied. Please ask when ordering.

For further details on any of the services Wilson Access offer, you can email us at info@wilsonaccess.co.uk or call us on 0844 288 9338, where our dedicated team will be happy to help.



Truck Mounts





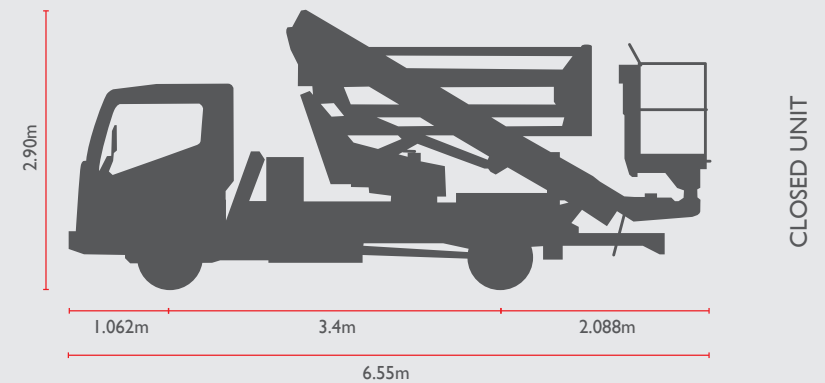
TM20 20.00m

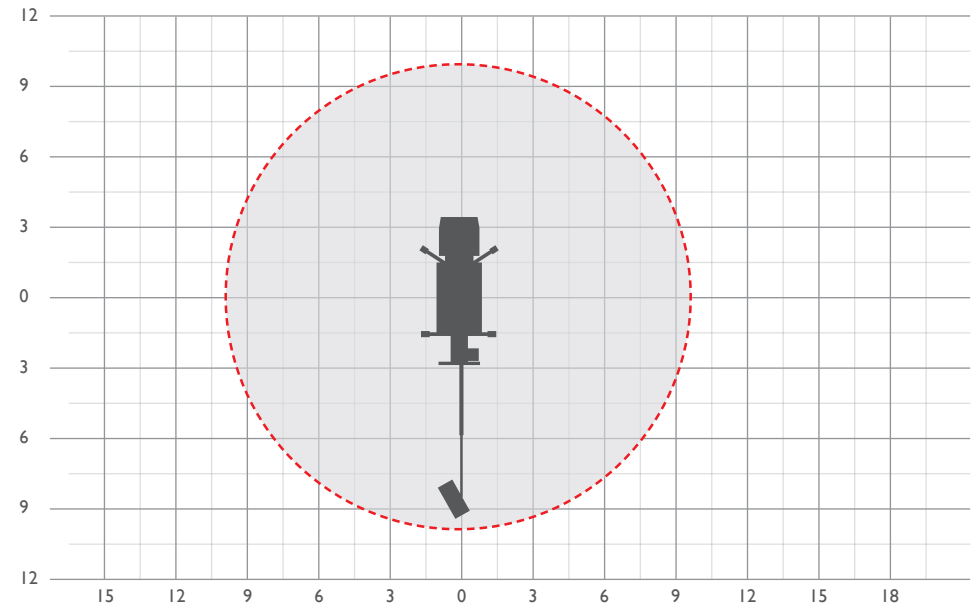
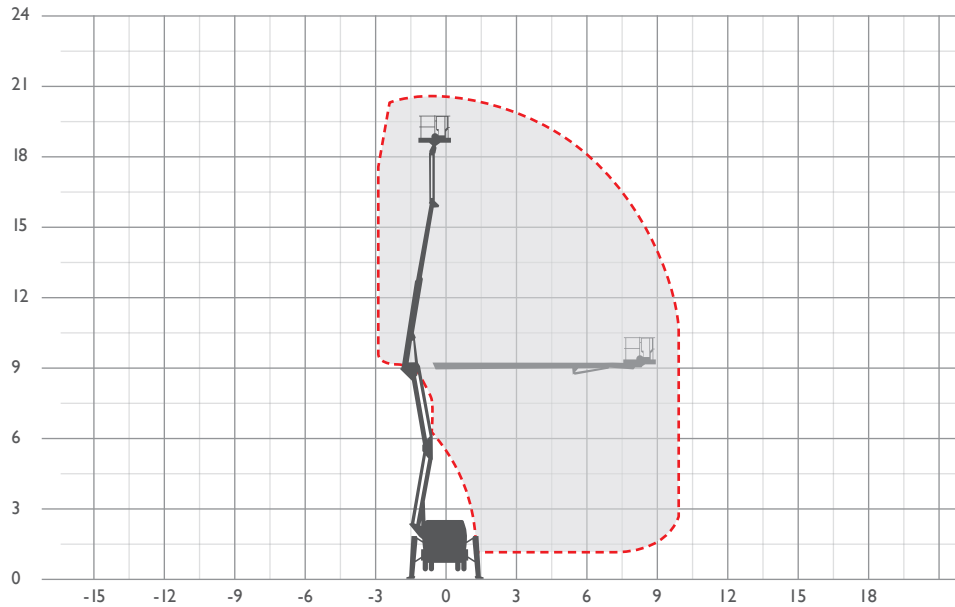
CTE ZED 20.2

REACH HEIGHT	20.00m	SAFE WORKING LOAD	200kg
PLATFORM HEIGHT	18.00m	WEIGHT	3500kg
CLOSED LENGTH	6.55m	CAGE DIMENSIONS	1.40x0.70x1.10m
CLOSED HEIGHT	2.90m	CAGE ROTATION	130°
CLOSED WIDTH	2.30m	IPAF CATEGORY	1b
HORIZONTAL REACH	9.20m	SLEW	360°
WIDTH MAX WORKING	3.20m	FEATURED MODEL	CTE ZED 20.2
WIDTH MIN WORKING	3.00m		

The information provided is for guidance only. It may change at any time in accordance with manufacturer's specification. Variable Jacking will affect working envelope. Outreach is variable depending on load, angle of rotation and outrigger configuration.

Side profile





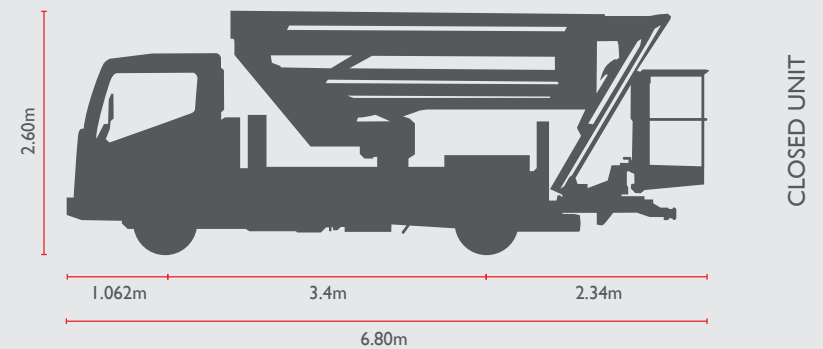
TM21 20.70m

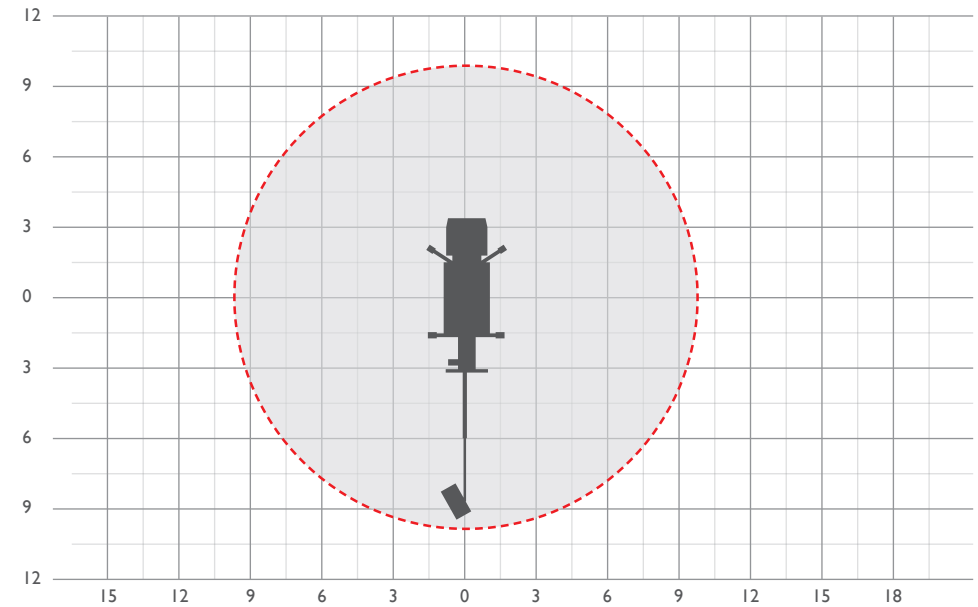
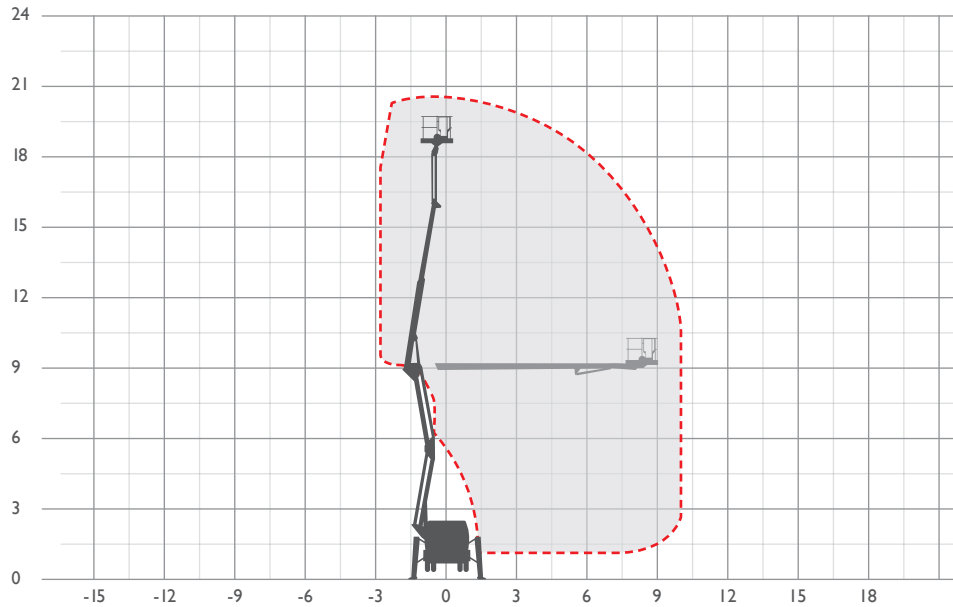
CTE ZED 21JH

REACH HEIGHT	20.70m	SAFE WORKING LOAD	280kg*/300kg**
PLATFORM HEIGHT	18.70m	WEIGHT	3500kg
CLOSED LENGTH	6.68m	CAGE DIMENSIONS	1.40x0.70x1.10m
CLOSED HEIGHT	2.60m	CAGE ROTATION	180°*/130°**
CLOSED WIDTH	2.09m	IPAF CATEGORY	1b
HORIZONTAL REACH	9.9m*/10m**	SLEW	360°
WIDTH MAX WORKING	2.96m	FEATURED MODEL	CTE ZED 21.2JH* CTE ZED 21JH Nissan 3.5t**
WIDTH MIN WORKING	2.96m		

The information provided is for guidance only. It may change at any time in accordance with manufacturer's specification. Variable Jacking will affect working envelope. Outreach is variable depending on load, angle of rotation and outrigger configuration.

Side profile





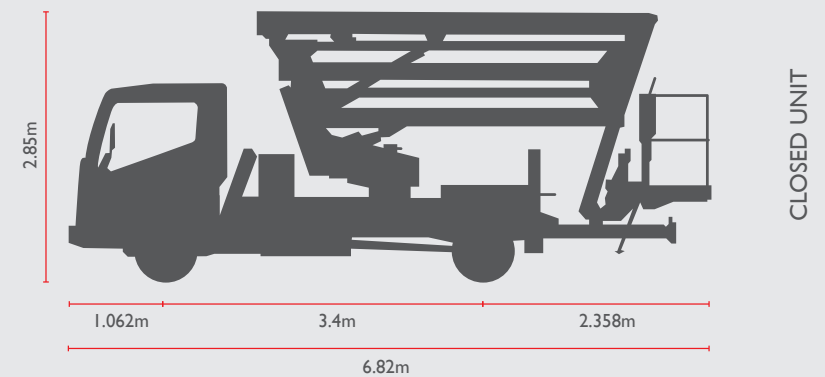
TM21 20.80m

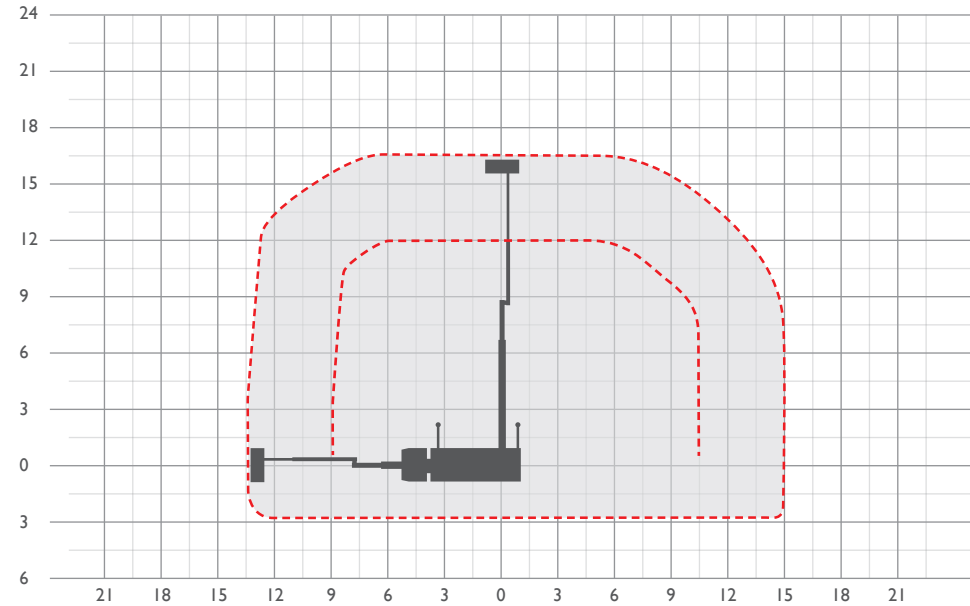
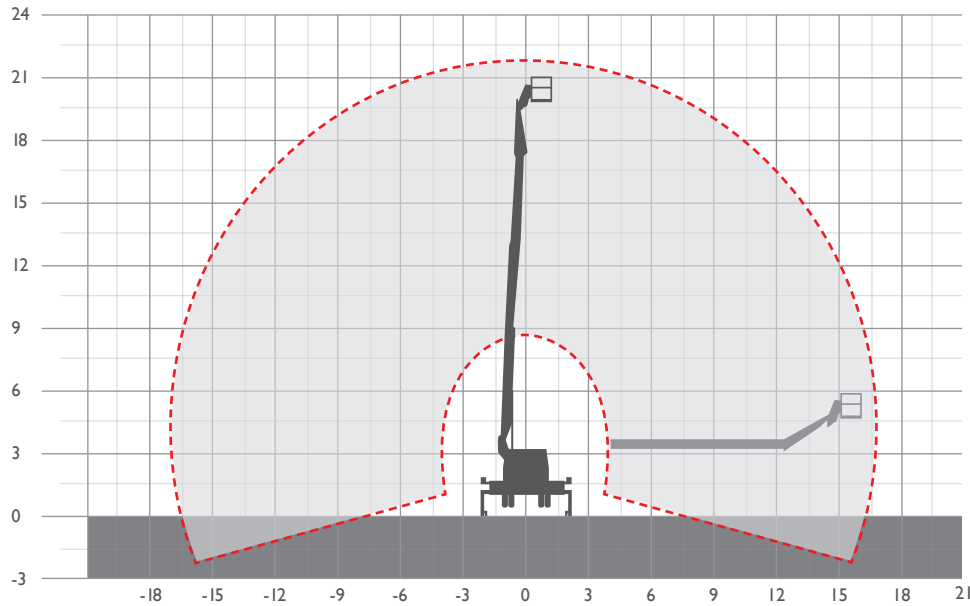
CTE ZED 21J

REACH HEIGHT	20.80m	SAFE WORKING LOAD	200kg
PLATFORM HEIGHT	18.80m	WEIGHT	3500kg
CLOSED LENGTH	6.82m	CAGE DIMENSIONS	1.40x0.70x1.10m
CLOSED HEIGHT	2.85m	CAGE ROTATION	130°
CLOSED WIDTH	2.10m	IPAF CATEGORY	1b
HORIZONTAL REACH	10.00m	SLEW	360°
WIDTH MAX WORKING	3.02m	FEATURED MODEL	CTE ZED 21J
WIDTH MIN WORKING	2.87m		

The information provided is for guidance only. It may change at any time in accordance with manufacturer's specification. Variable Jacking will affect working envelope. Outreach is variable depending on load, angle of rotation and outrigger configuration.

Side profile





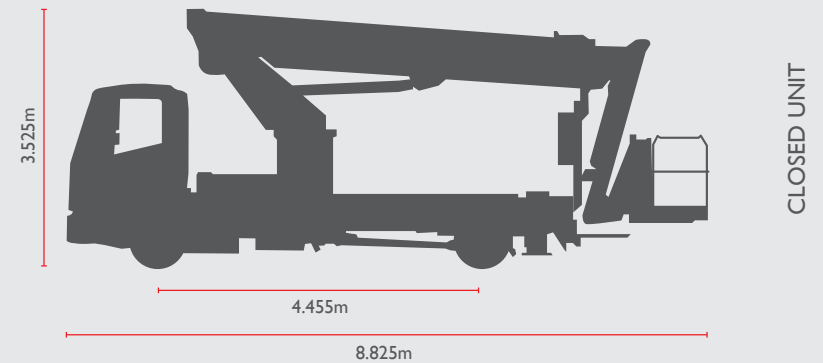
TM22 22.00m

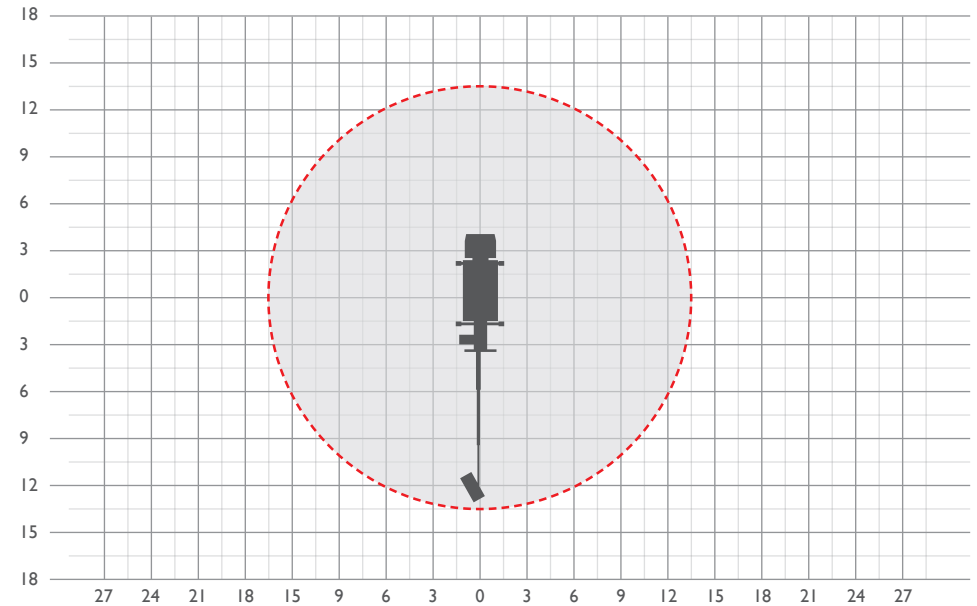
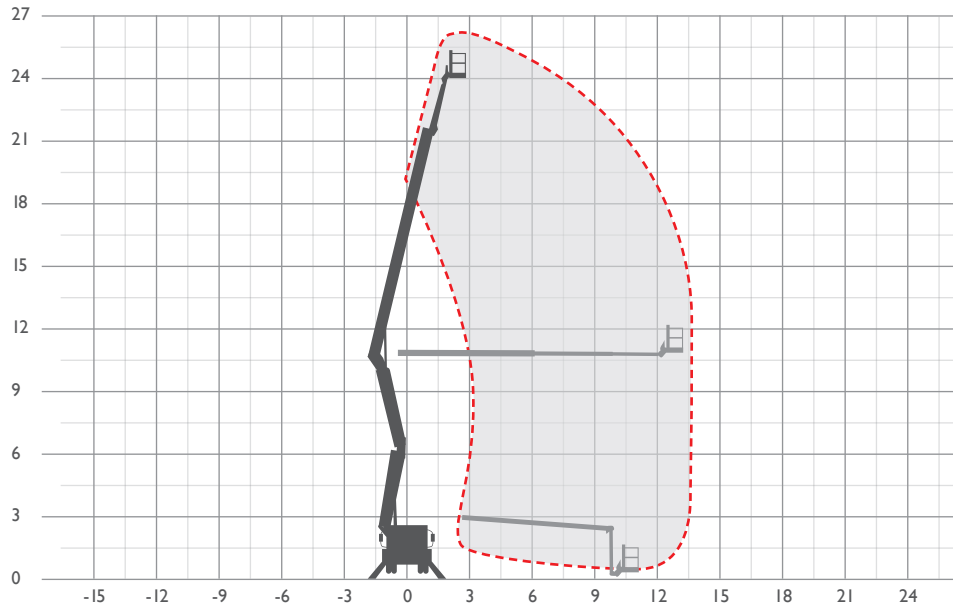
GSR 228J

REACH HEIGHT	22.00m	SAFE WORKING LOAD	280kg
PLATFORM HEIGHT	20.00m	WEIGHT	800kg
CLOSED LENGTH	8.82m	CAGE DIMENSIONS	1.80x0.80m
CLOSED HEIGHT	3.52m	CAGE ROTATION	155°
CLOSED WIDTH	2.40m	IPAF CATEGORY	1b
HORIZONTAL REACH	17.20m	SLEW	365°
WIDTH MAX WORKING	5.0m	FEATURED MODEL	GSR 228J
WIDTH MIN WORKING	2.40m variable		

The information provided is for guidance only. It may change at any time in accordance with manufacturer's specification. Variable Jacking will affect working envelope. Outreach is variable depending on load, angle of rotation and outrigger configuration.

Side profile





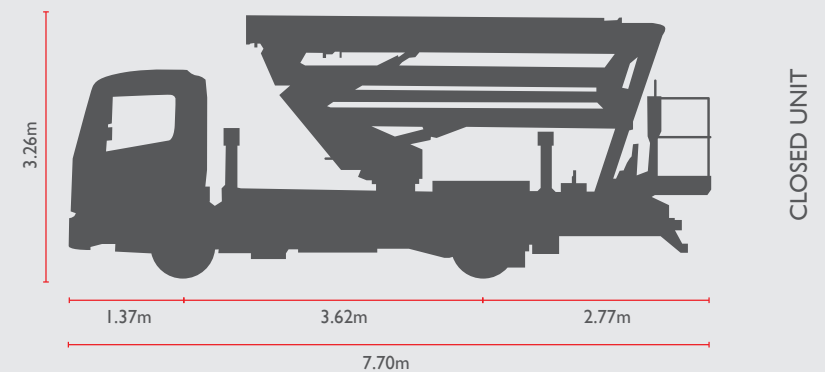
TM26 26.00m

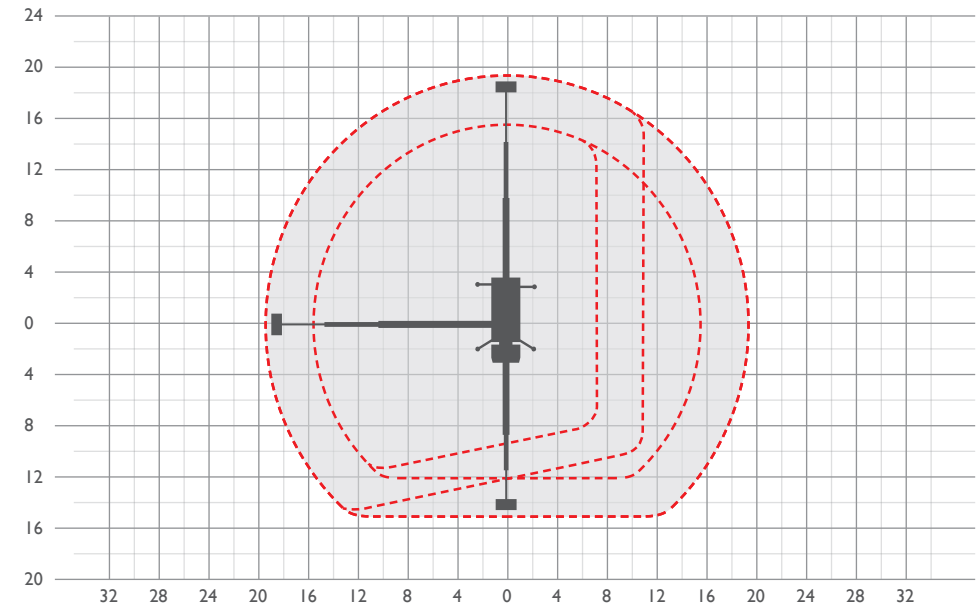
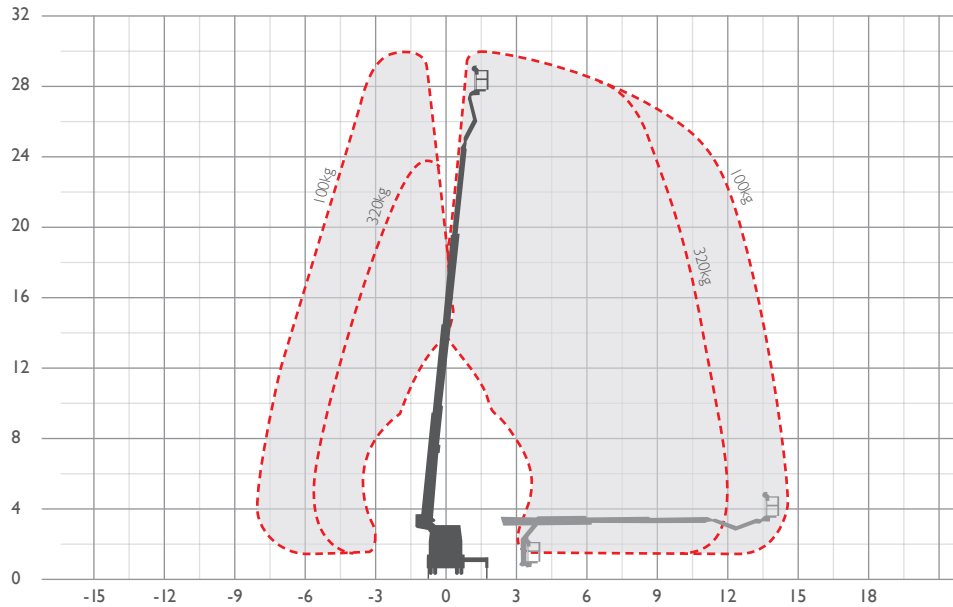
CTE ZED 26JH

REACH HEIGHT	26.00m	SAFE WORKING LOAD	230kg
PLATFORM HEIGHT	24.00m	WEIGHT	7500kg
CLOSED LENGTH	7.70m	CAGE DIMENSIONS	1.8x0.70x1.10m
CLOSED HEIGHT	3.26m	CAGE ROTATION	130°
CLOSED WIDTH	2.50m	IPAF CATEGORY	1b
HORIZONTAL REACH	14.00m	SLEW	360°
WIDTH MAX WORKING	2.80m	FEATURED MODEL	CTE ZED 26JH
WIDTH MIN WORKING	2.80m		

The information provided is for guidance only. It may change at any time in accordance with manufacturer's specification. Variable Jacking will affect working envelope. Outreach is variable depending on load, angle of rotation and outrigger configuration.

Side profile





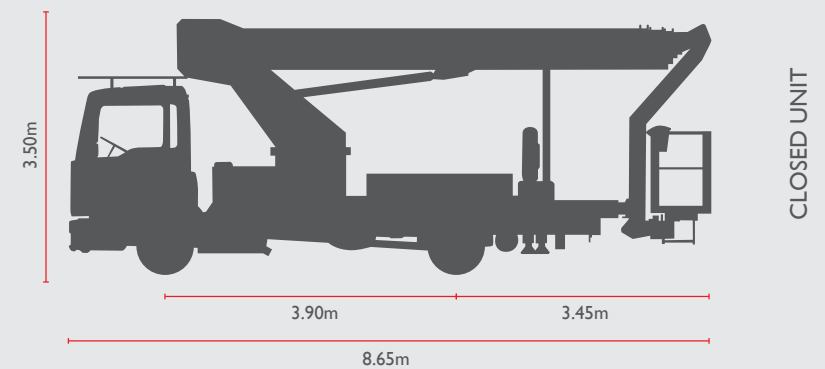
TM30 30.00m

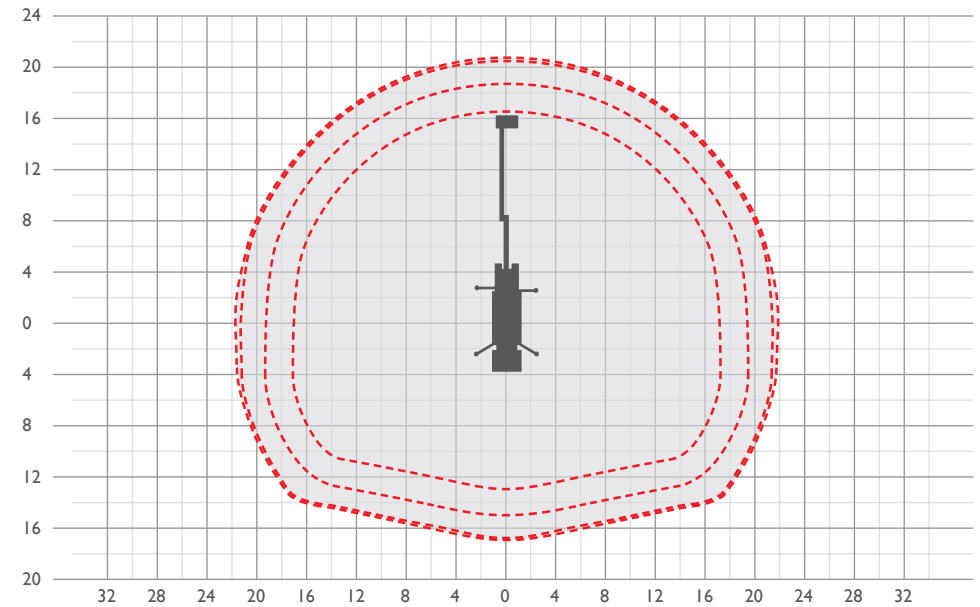
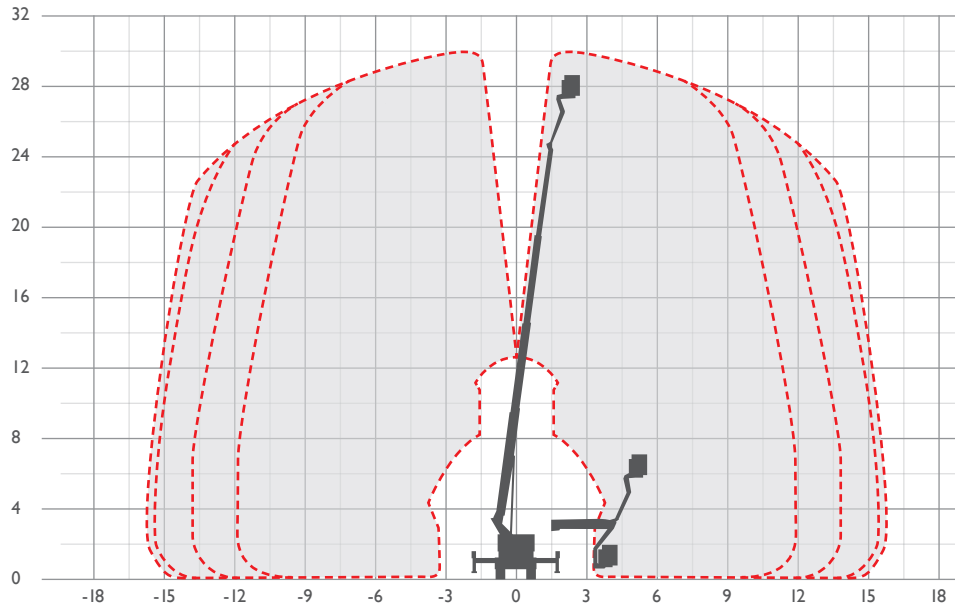
WUMAG WT300

REACH HEIGHT	30.00m	SAFE WORKING LOAD	320kg
PLATFORM HEIGHT	28.00m	WEIGHT	7490kg
CLOSED LENGTH	8.65m	CAGE DIMENSIONS	1.60x0.80x1.10m
CLOSED HEIGHT	3.50m	CAGE ROTATION	160°
CLOSED WIDTH	2.50m	IPAF CATEGORY	Ib
HORIZONTAL REACH	19.50m	SLEW	540°
WIDTH MAX WORKING	5.00m	FEATURED MODEL	Wumag WT 300
WIDTH MIN WORKING	2.50m variable		

The information provided is for guidance only. It may change at any time in accordance with manufacturer's specification. Variable Jacking will affect working envelope. Outreach is variable depending on load, angle of rotation and outrigger configuration.

Side profile





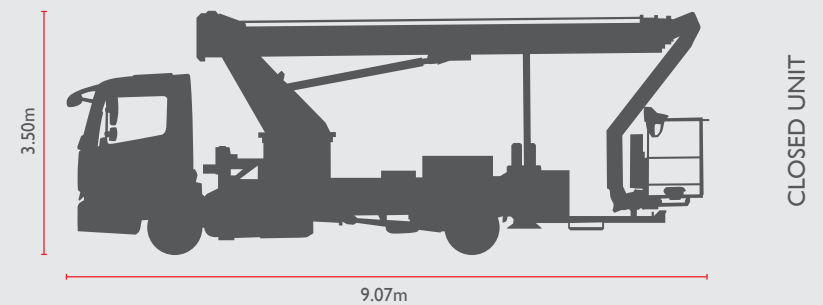
TM30 30.00m

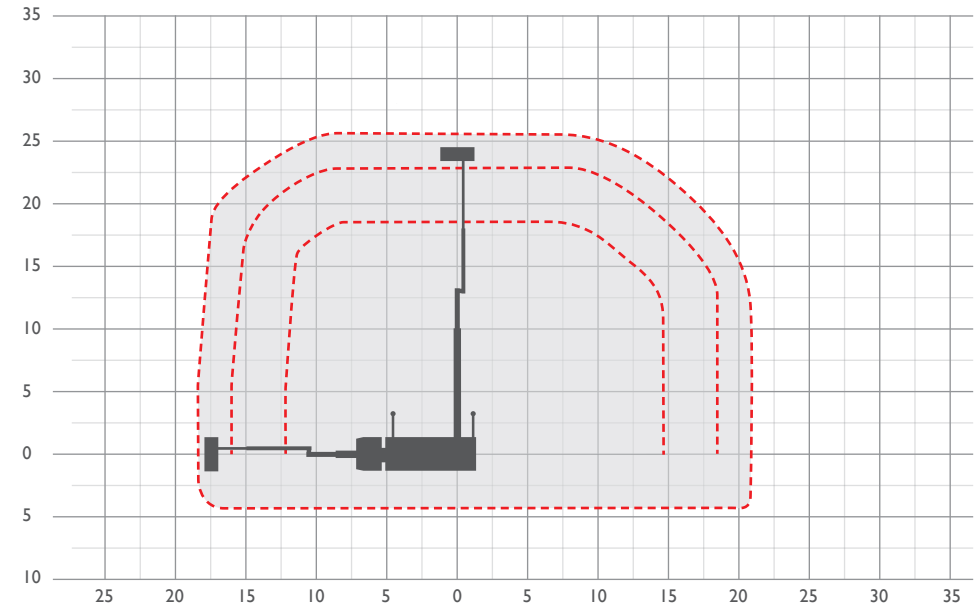
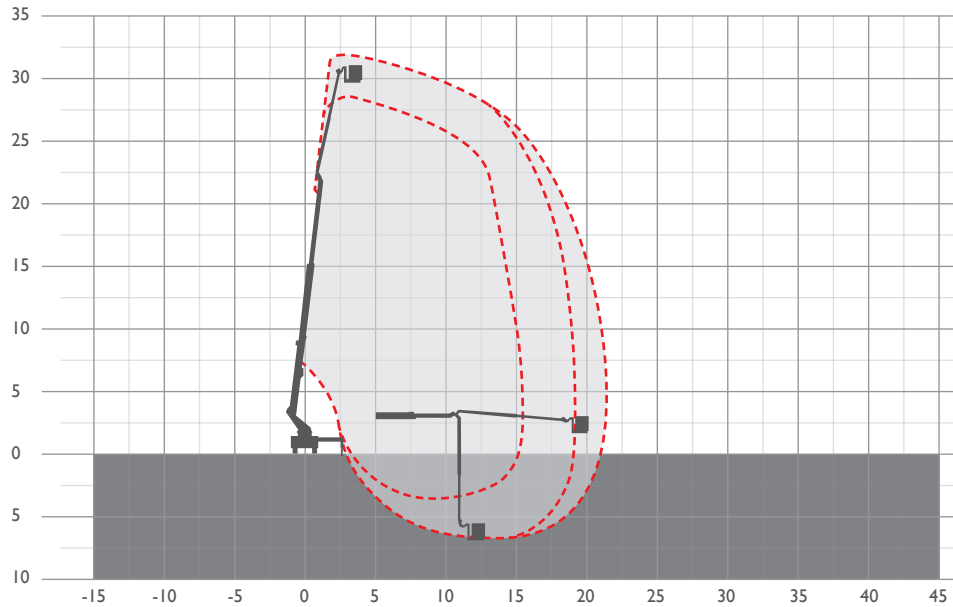
PALFINGER P300

REACH HEIGHT	30.00m	SAFE WORKING LOAD	350kg
PLATFORM HEIGHT	28.00m	WEIGHT	7490kg
CLOSED LENGTH	9.07m	CAGE DIMENSIONS	1.80x0.80x1.10m
CLOSED HEIGHT	3.50m	CAGE ROTATION	170kg
CLOSED WIDTH	9.07m	IPAF CATEGORY	Ib
HORIZONTAL REACH	20.9m	SLEW	540°
WIDTH MAX WORKING	5.0m	FEATURED MODEL	Palfinger P 300
WIDTH MIN WORKING	2.52m		

The information provided is for guidance only. It may change at any time in accordance with manufacturer's specification. Variable Jacking will affect working envelope. Outreach is variable depending on load, angle of rotation and outrigger configuration.

Side profile





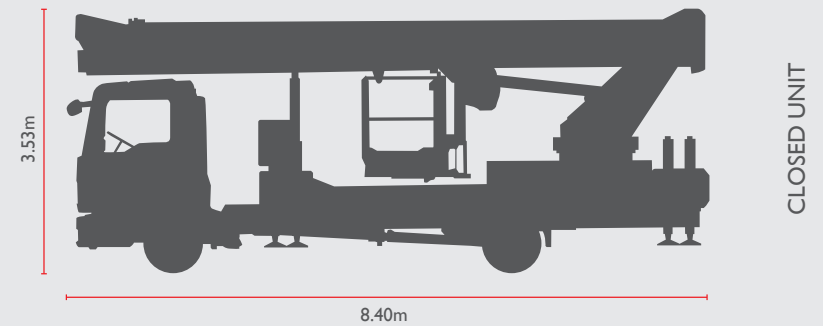
TM32 32.00m

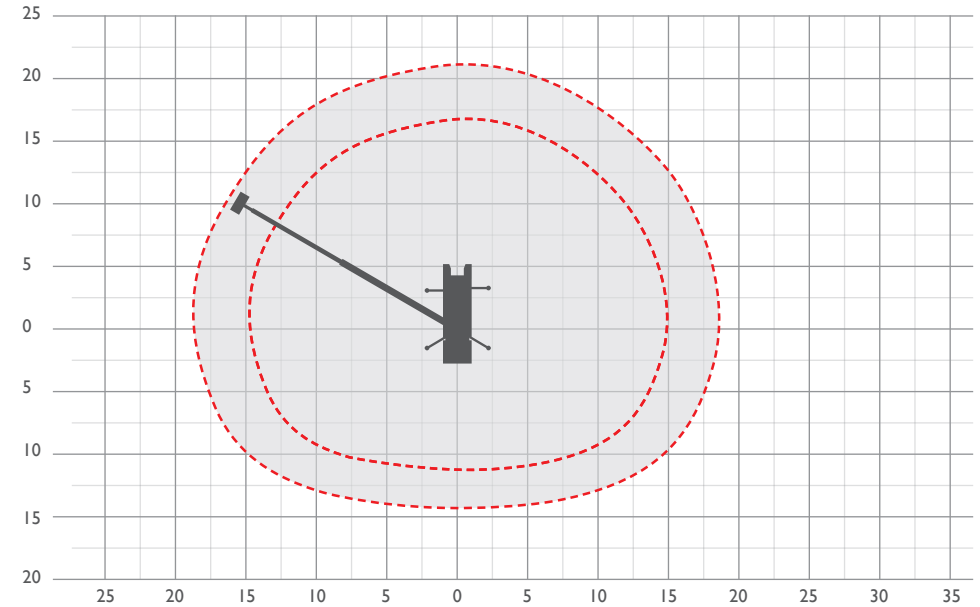
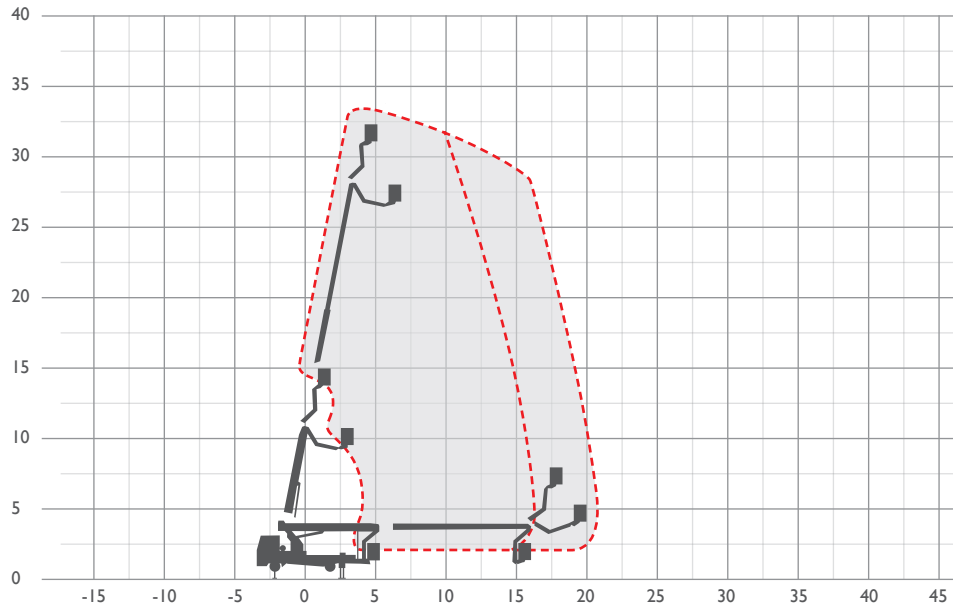
PALFINGER P320

REACH HEIGHT	32.00m	SAFE WORKING LOAD	600kg
PLATFORM HEIGHT	30.00m	WEIGHT	15000kg
CLOSED LENGTH	8.40m	CAGE DIMENSIONS	3.88x1.05x1.10m
CLOSED HEIGHT	3.53m	CAGE ROTATION	170°
CLOSED WIDTH	2.50m	IPAF CATEGORY	Ib operated
HORIZONTAL REACH	25.5m	SLEW	500°
WIDTH MAX WORKING	6.2m	FEATURED MODEL	Palfinger P320
WIDTH MIN WORKING	2.50m variable		

The information provided is for guidance only. It may change at any time in accordance with manufacturer's specification. Variable Jacking will affect working envelope. Outreach is variable depending on load, angle of rotation and outrigger configuration.

Side profile





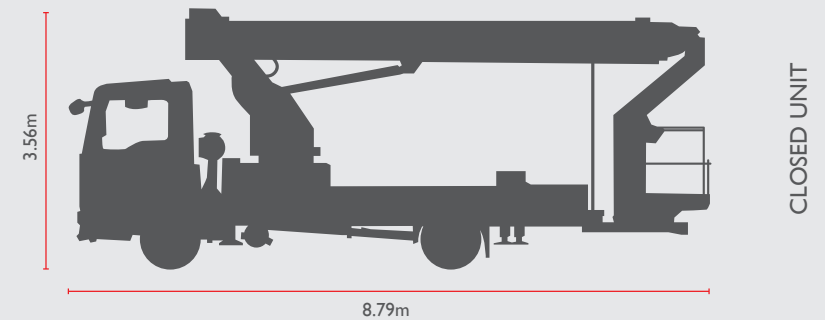
TM33 33.00m

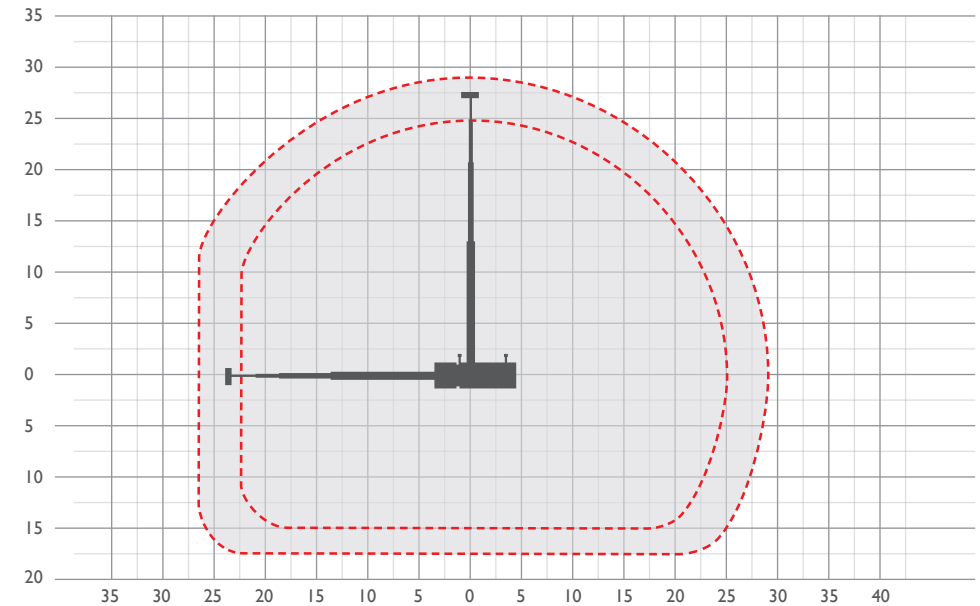
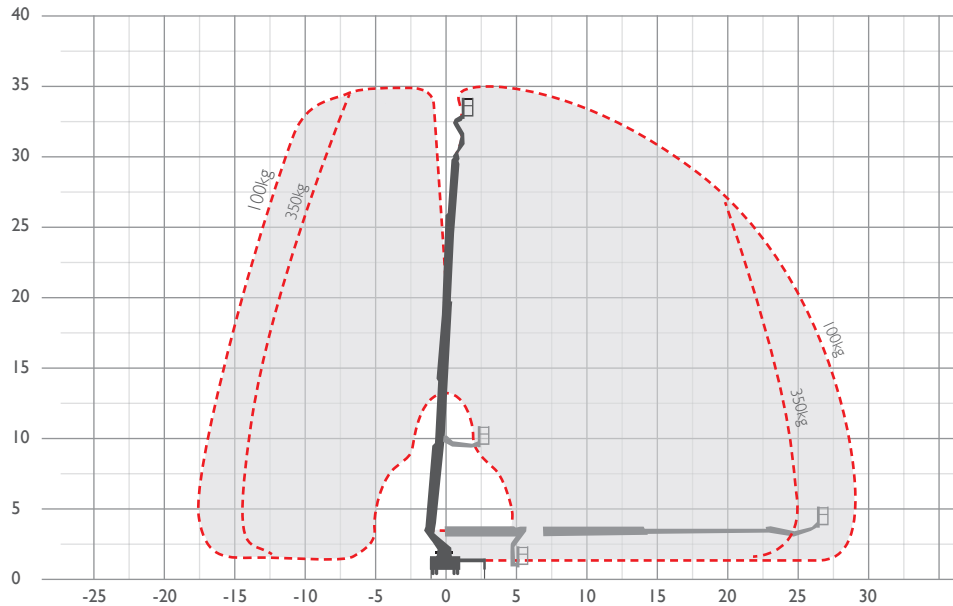
RUTHMANN STEIGER T330

REACH HEIGHT	33.00m	SAFE WORKING LOAD	320kg
PLATFORM HEIGHT	31.00m	WEIGHT	7490kg
CLOSED LENGTH	8.79m	CAGE DIMENSIONS	1.70x0.86m
CLOSED HEIGHT	3.56m	CAGE ROTATION	180°
CLOSED WIDTH	2.50m	IPAF CATEGORY	Ib
HORIZONTAL REACH	21.20m	SLEW	500°
WIDTH MAX WORKING	5.30m	FEATURED MODEL	Ruthmann Steiger T330
WIDTH MIN WORKING	2.50m		

The information provided is for guidance only. It may change at any time in accordance with manufacturer's specification. Variable Jacking will affect working envelope. Outreach is variable depending on load, angle of rotation and outrigger configuration.

Side profile





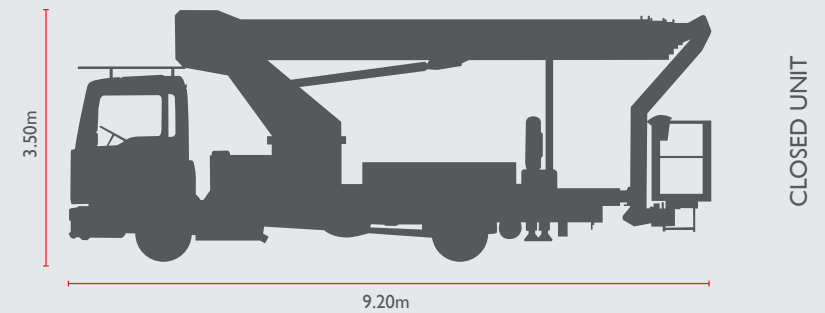
TM35 35.00m

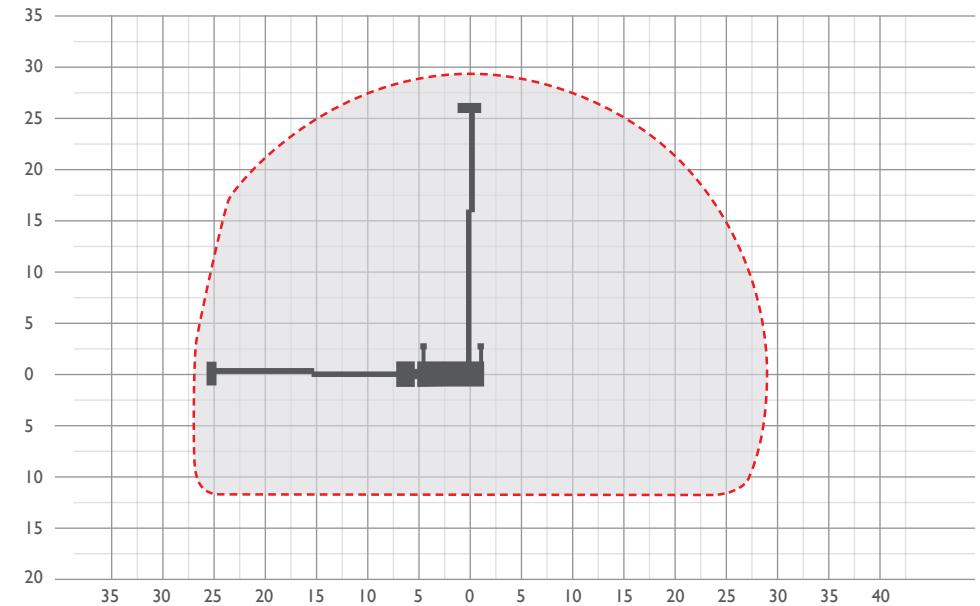
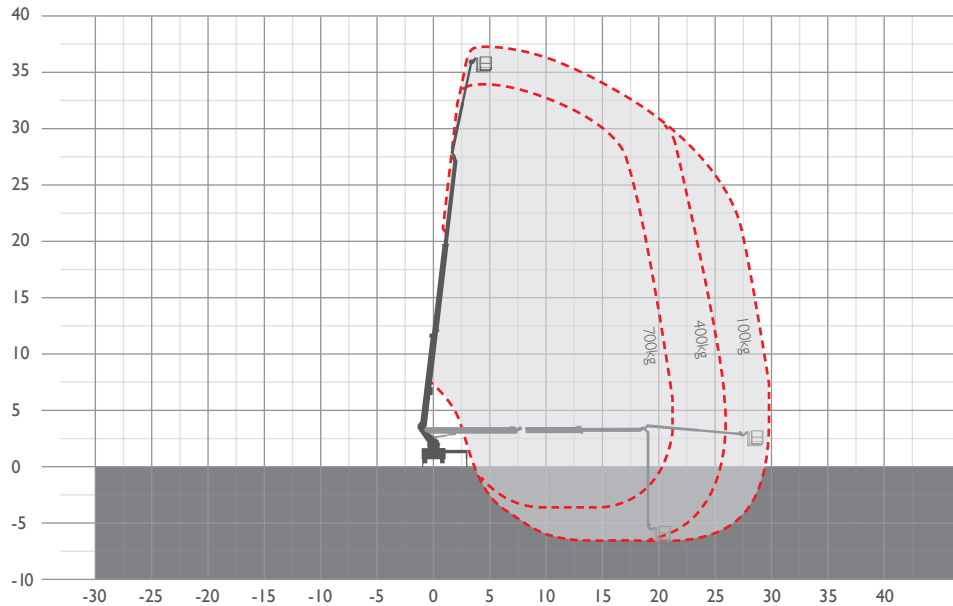
WUMAG WT350

REACH HEIGHT	35.00m	SAFE WORKING LOAD	350kg
PLATFORM HEIGHT	33.00m	WEIGHT	18000kg
CLOSED LENGTH	9.20m	CAGE DIMENSIONS	1.80x0.80x1.10m
CLOSED HEIGHT	3.50m	CAGE ROTATION	160°
CLOSED WIDTH	2.50m	IPAF CATEGORY	1b operated
HORIZONTAL REACH	29.00m	SLEW	540°
WIDTH MAX WORKING	6.25m	FEATURED MODEL	Wumag WT350
WIDTH MIN WORKING	2.50m variable		

The information provided is for guidance only. It may change at any time in accordance with manufacturer's specification. Variable Jacking will affect working envelope. Outreach is variable depending on load, angle of rotation and outrigger configuration.

Side profile





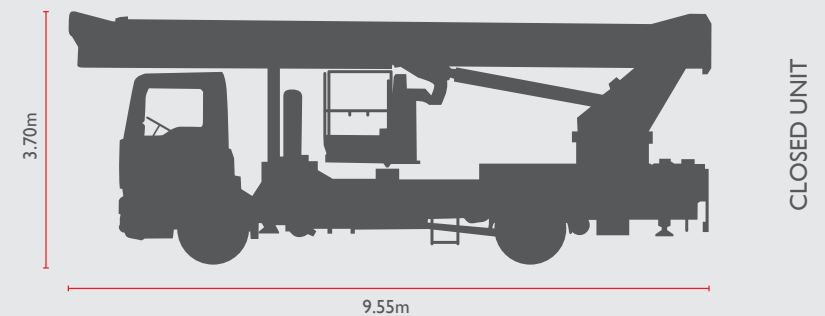
TM37 37.00m

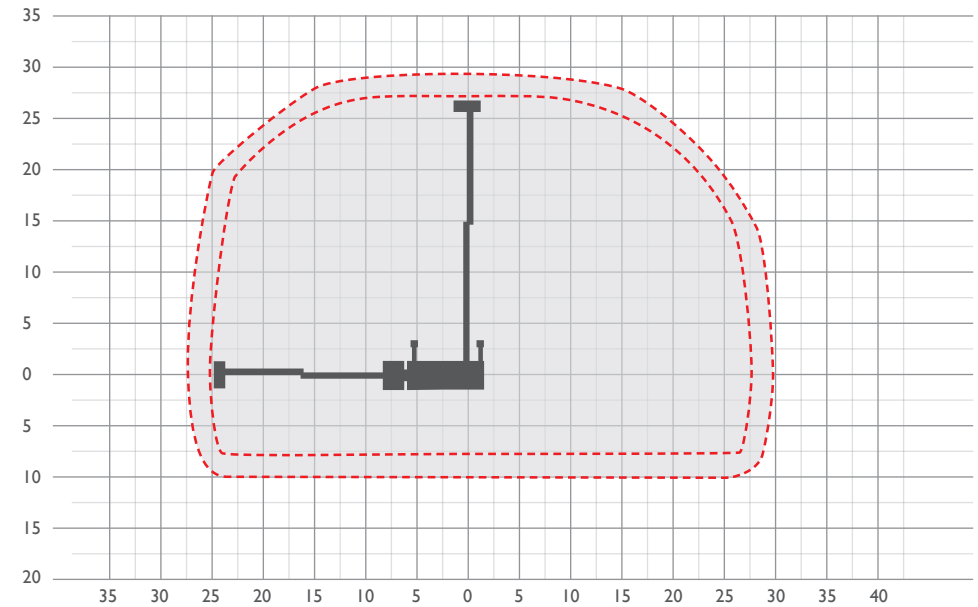
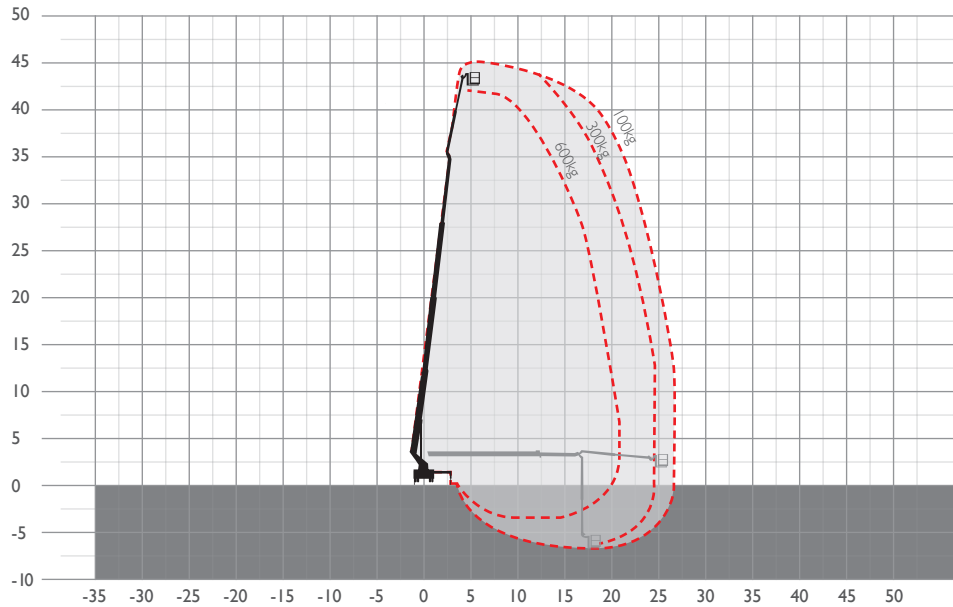
WUMAG WT370

REACH HEIGHT	37.00m	SAFE WORKING LOAD	700kg
PLATFORM HEIGHT	35.00m	WEIGHT	18000kg
CLOSED LENGTH	9.55m	CAGE DIMENSIONS	2.40x1.05x1.10m
CLOSED HEIGHT	3.70m	CAGE ROTATION	160°
CLOSED WIDTH	2.50m	IPAF CATEGORY	1b operated
HORIZONTAL REACH	29.50m	SLEW	540°
WIDTH MAX WORKING	6.20m	FEATURED MODEL	Wumag WT370
WIDTH MIN WORKING	2.50m variable		

The information provided is for guidance only. It may change at any time in accordance with manufacturer's specification. Variable Jacking will affect working envelope. Outreach is variable depending on load, angle of rotation and outrigger configuration.

Side profile





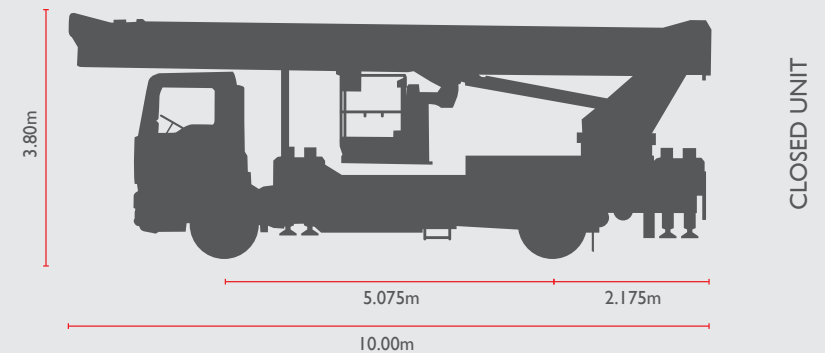
TM45 45.00m

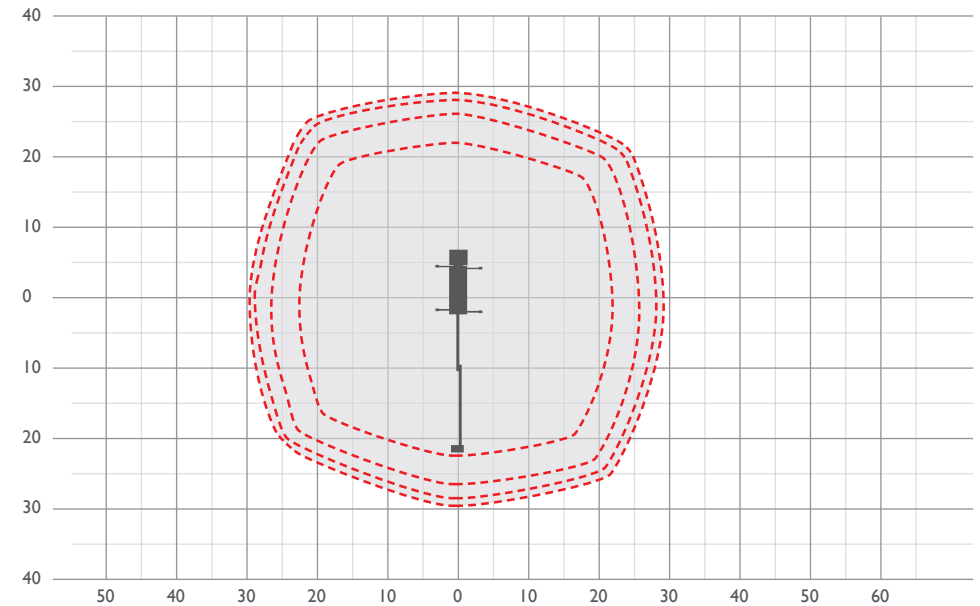
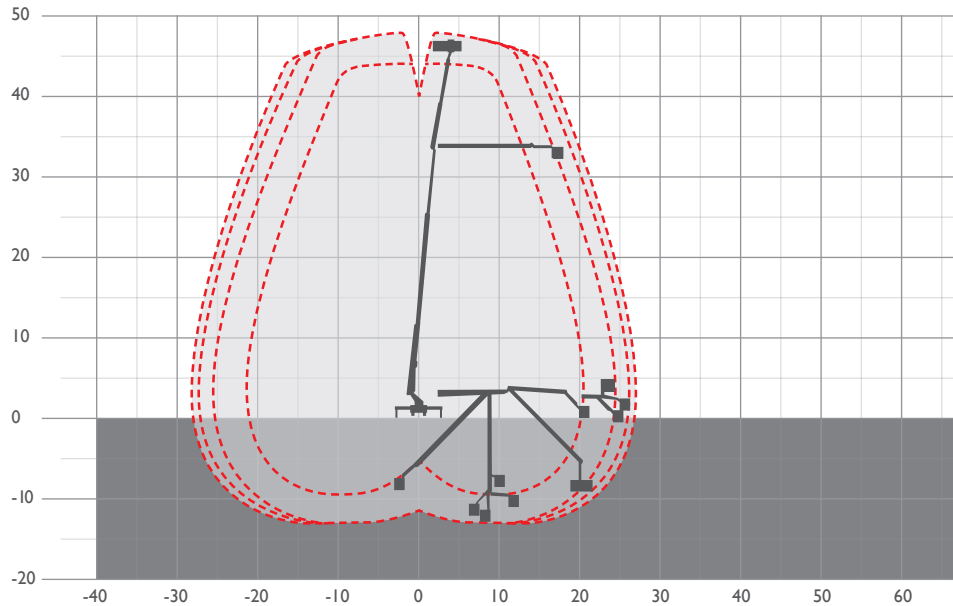
WUMAG WT450

REACH HEIGHT	45.00m	SAFE WORKING LOAD	600kg
PLATFORM HEIGHT	43.00m	WEIGHT	18000kg
CLOSED LENGTH	10.00m	CAGE DIMENSIONS	3.88x1.05x1.10m
CLOSED HEIGHT	3.80m	CAGE ROTATION	160°
CLOSED WIDTH	2.50m	IPAF CATEGORY	Ib operated only
HORIZONTAL REACH	28.70m	SLEW	540°
WIDTH MAX WORKING	6.20m	FEATURED MODEL	Wumag WT450
WIDTH MIN WORKING	2.50m Variable		

The information provided is for guidance only. It may change at any time in accordance with manufacturer's specification. Variable Jacking will affect working envelope. Outreach is variable depending on load, angle of rotation and outrigger configuration.

Side profile





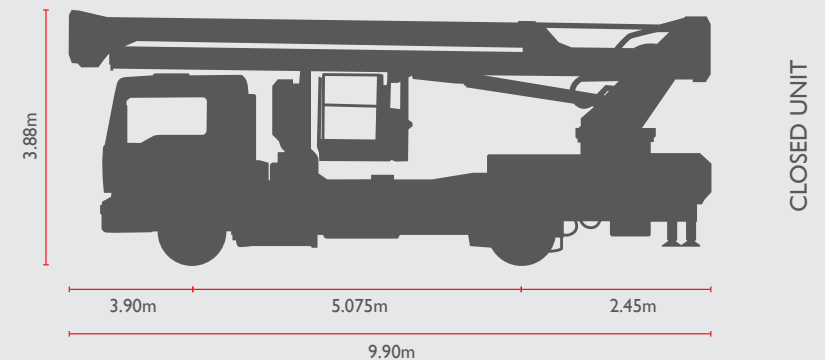
TM48 48.00m

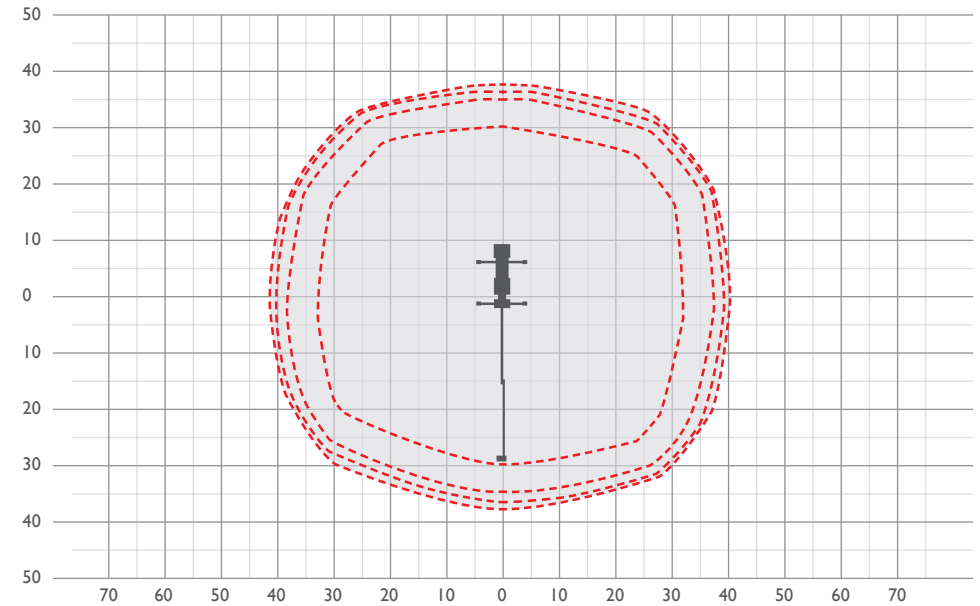
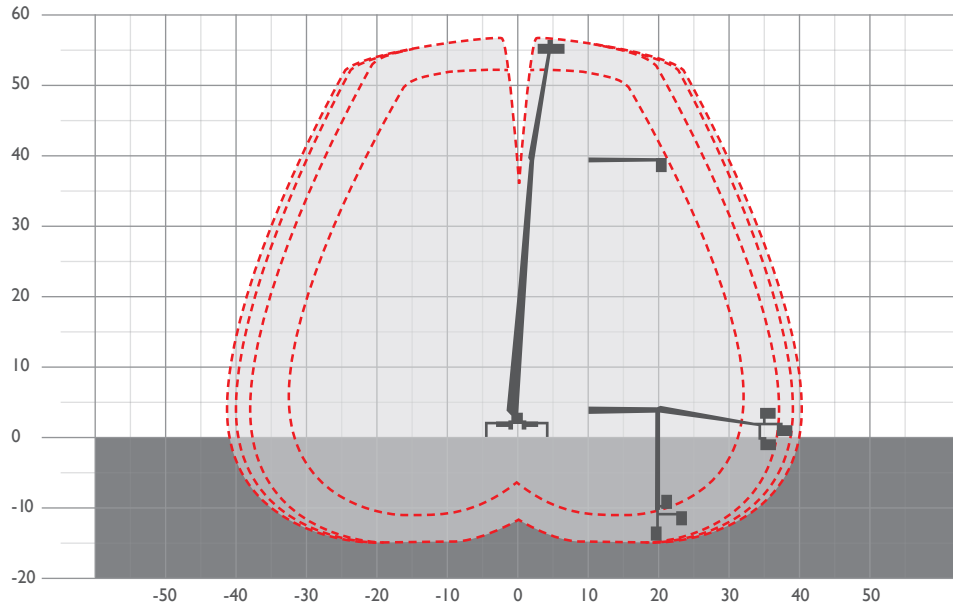
PALFINGER P480

REACH HEIGHT	48.00m	SAFE WORKING LOAD	600kg
PLATFORM HEIGHT	46.00m	WEIGHT	17600kg
CLOSED LENGTH	9.90m	CAGE DIMENSIONS	3.88x1.05x1.10m
CLOSED HEIGHT	3.93m	CAGE ROTATION	400°
CLOSED WIDTH	2.50m	IPAF CATEGORY	Ib operated only
HORIZONTAL REACH	28.00m	SLEW	540°
WIDTH MAX WORKING	5.075m	FEATURED MODEL	Palfinger P480
WIDTH MIN WORKING	Variable		

The information provided is for guidance only. It may change at any time in accordance with manufacturer's specification. Variable Jacking will affect working envelope. Outreach is variable depending on load, angle of rotation and outrigger configuration.

Side profile





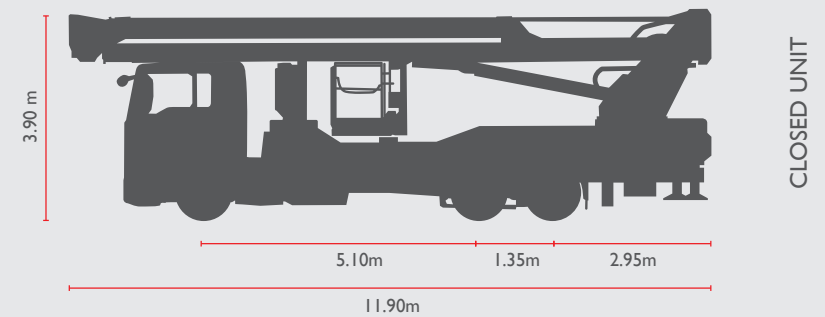
TM57 57.00m

PALFINGER P570

REACH HEIGHT	57.00m	SAFE WORKING LOAD	600kg
PLATFORM HEIGHT	55.00m	WEIGHT	25850kg
CLOSED LENGTH	11.90m	CAGE DIMENSIONS	3.81x1.04x1.10m
CLOSED HEIGHT	3.90m	CAGE ROTATION	400°
CLOSED WIDTH	2.51m	IPAF CATEGORY	1b operated only
HORIZONTAL REACH	41.00m	SLEW	540°
WIDTH MAX WORKING	12.50m	FEATURED MODEL	Palfinger P570
WIDTH MIN WORKING	Variable		

The information provided is for guidance only. It may change at any time in accordance with manufacturer's specification. Variable Jacking will affect working envelope. Outreach is variable depending on load, angle of rotation and outrigger configuration.

Side profile



Track Mounts





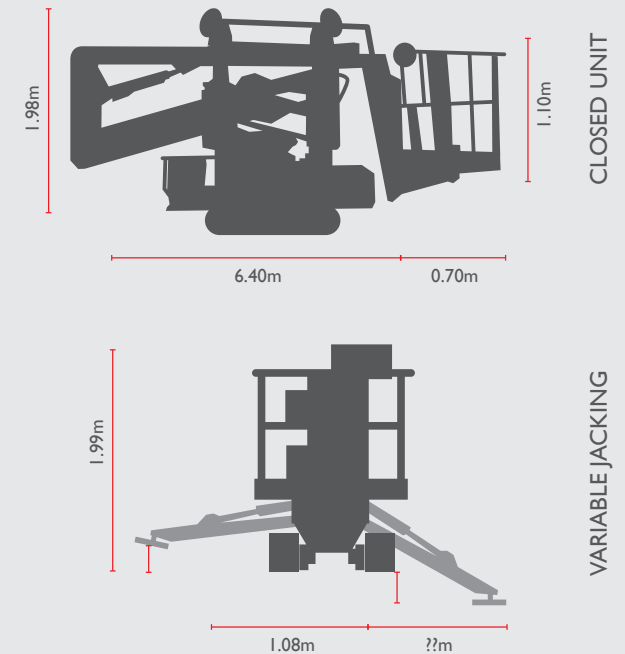
TR14 14.00m

HINOWA GOLDLIFT 14.70

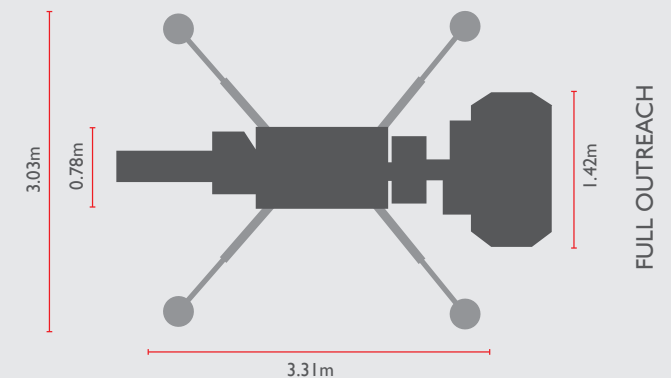
REACH HEIGHT	14.00m	SLEW	360°
PLATFORM HEIGHT	12.00m	UP AND OVER CLEARANCE	5.75m
CLOSED LENGTH	4.06m	MINIMUM SETUP AREA	3.00mx4.06m (WxL)
CLOSED HEIGHT	1.98m	TRACK SURFACE AREA	NA
CLOSED WIDTH	1.08m	DRIVE SPEED	1.4kph
HORIZONTAL REACH	7.00m	MAXIMUM SETUP INCLINE	16.7% (9.5°)
WIDTH MAX WORKING	3.23m	NO. OUTRIGGER POSITIONS	1 fixed
WIDTH MIN WORKING	2.7m	POWER	Electric / Diesel
SAFE WORKING LOAD	120kg-200kg		
WEIGHT	1700kg	FLOOR LOADINGS	
CAGE DIMENSIONS	1.34mx0.69mx1.1m	MAX. LOAD PER OUTRIGGER	1330daN - 1,9daN/cm ²
GRADEABILITY	31.5% (17.5°)	MAX. TRACK SURFACE PRESSURE	0.51kg/cm ²
CAGE ROTATION	Fixed	MAX. GROUND PRESSURE WITH STANDARD OUTRIGGER PADS	1330daN - 1,9daN/cm ²
IPAF CATEGORY	1b		

The information provided is for guidance only. It may change at any time in accordance with manufacturer's specification. Variable Jacking will affect working envelope. Outreach is variable depending on load, angle of rotation and outrigger configuration.

Side profile



Above profile





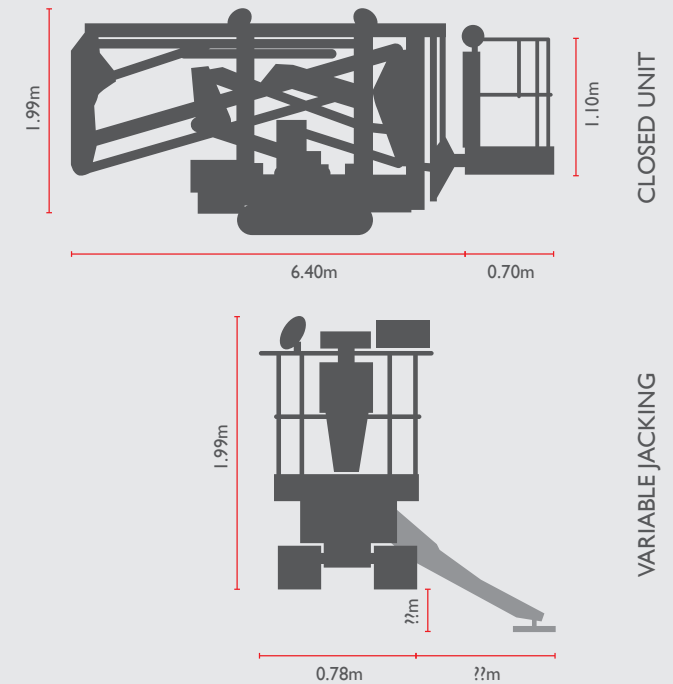
TR17 17.06m

HINOWA GOLDLIFT 17.75

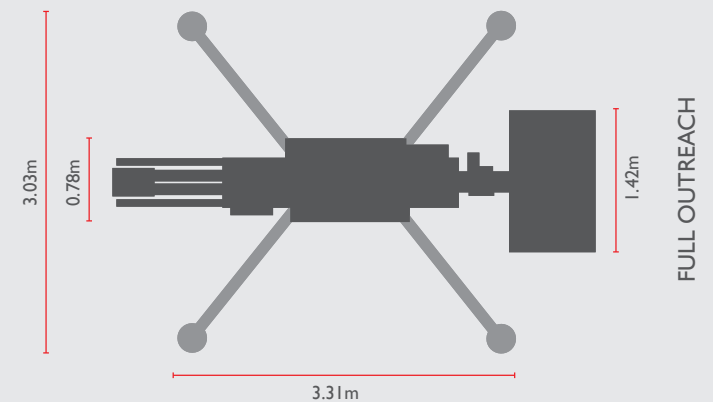
REACH HEIGHT	17.06m	SLEW	360°
PLATFORM HEIGHT	15.06m	UP AND OVER CLEARANCE	7.75m
CLOSED LENGTH	4.52m	MINIMUM SETUP AREA	3.43mx4.52m (WxL)
CLOSED HEIGHT	2.00m	TRACK SURFACE AREA	NA
CLOSED WIDTH	1.08m	DRIVE SPEED	1.8kph
HORIZONTAL REACH	7.50m	MAXIMUM SETUP INCLINE	19.4% (12°)
WIDTH MAX WORKING	3.43m	NO. OUTRIGGER POSITIONS	1 fixed
WIDTH MIN WORKING	2.89m	POWER	Electric / Diesel
SAFE WORKING LOAD	230kg		
WEIGHT	2230kg	FLOOR LOADINGS	
CAGE DIMENSIONS	1.3x0.65x1.11m	MAX. LOAD PER OUTRIGGER	2.5kg/cm ²
GRADEABILITY	28.7% (16°)	MAX. TRACK SURFACE PRESSURE	0.68kg/cm ²
CAGE ROTATION	124° (+/-62°)	MAX. GROUND PRESSURE WITH STANDARD OUTRIGGER PADS	2.5kg/cm ²
IPAF CATEGORY	1b		

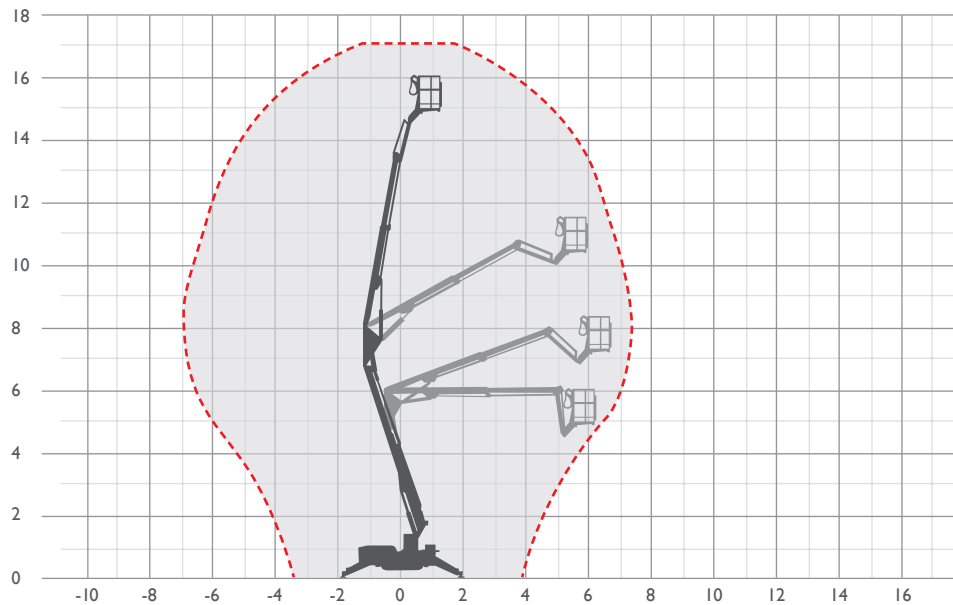
The information provided is for guidance only. It may change at any time in accordance with manufacturer's specification. Variable Jacking will affect working envelope. Outreach is variable depending on load, angle of rotation and outrigger configuration.

Side profile



Above profile





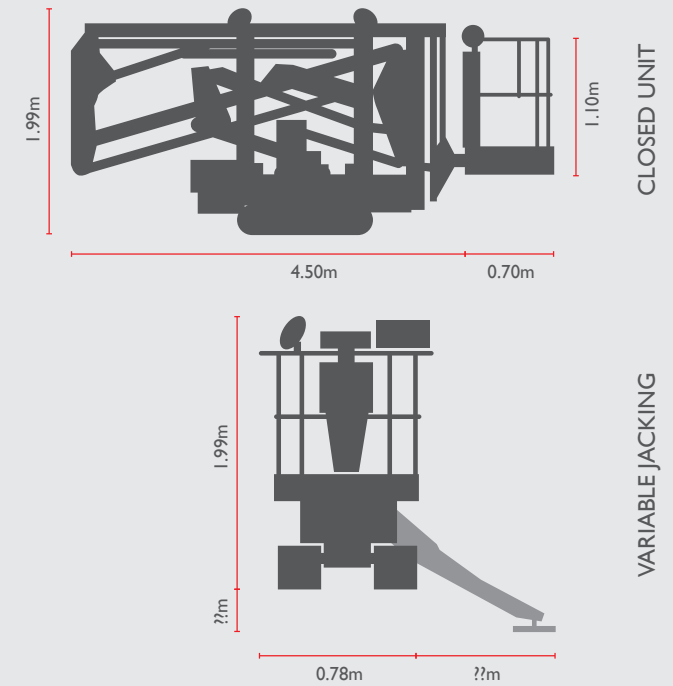
TR18 17.60m

TAUPEN LEO 18GT

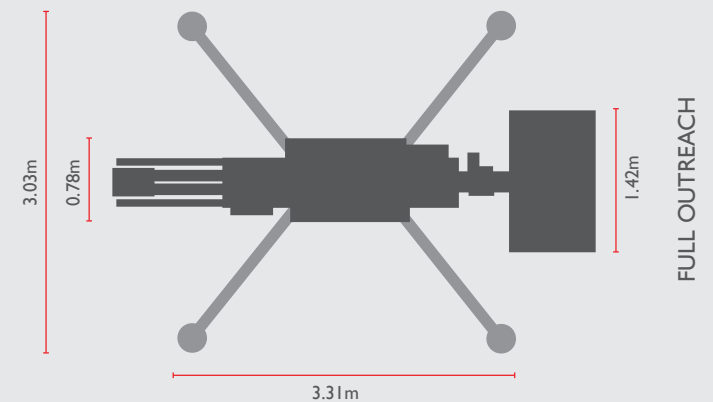
REACH HEIGHT	17.60m	SLEW	355°
PLATFORM HEIGHT	15.60m	UP AND OVER CLEARANCE	8.20m
CLOSED LENGTH	5.12m	MINIMUM SETUP AREA	3.03mx5.12m (WxL)
CLOSED HEIGHT	1.99m	TRACK SURFACE AREA	1.45mx0.20m
CLOSED WIDTH	0.78m	DRIVE SPEED	1.5kph
HORIZONTAL REACH	7.40m	MAXIMUM SETUP INCLINE	12° / 21.0%
WIDTH MAX WORKING	3.03m	NO. OUTRIGGER POSITIONS	1 fixed
WIDTH MIN WORKING	3.03m	POWER	Electric / Diesel
SAFE WORKING LOAD	200kg		
WEIGHT	2400kg	FLOOR LOADINGS	
CAGE DIMENSIONS	0.70x1.42m	MAX. LOAD PER OUTRIGGER	15.3kn
GRADEABILITY	35.5% (19.7°)	MAX. TRACK SURFACE PRESSURE	5.19kn/m ²
CAGE ROTATION	n/a	MAX. GROUND PRESSURE WITH STANDARD OUTRIGGER PADS	15.3kn
IPAF CATEGORY	1b		

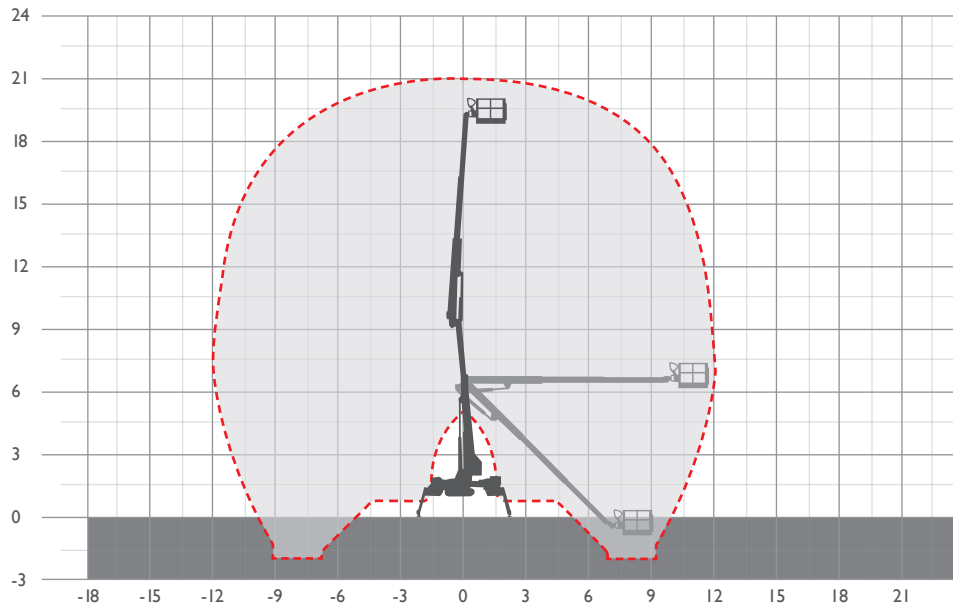
The information provided is for guidance only. It may change at any time in accordance with manufacturer's specification. Variable Jacking will affect working envelope. Outreach is variable depending on load, angle of rotation and outrigger configuration.

Side profile

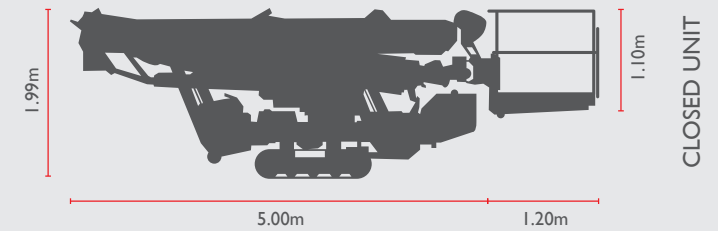


Above profile

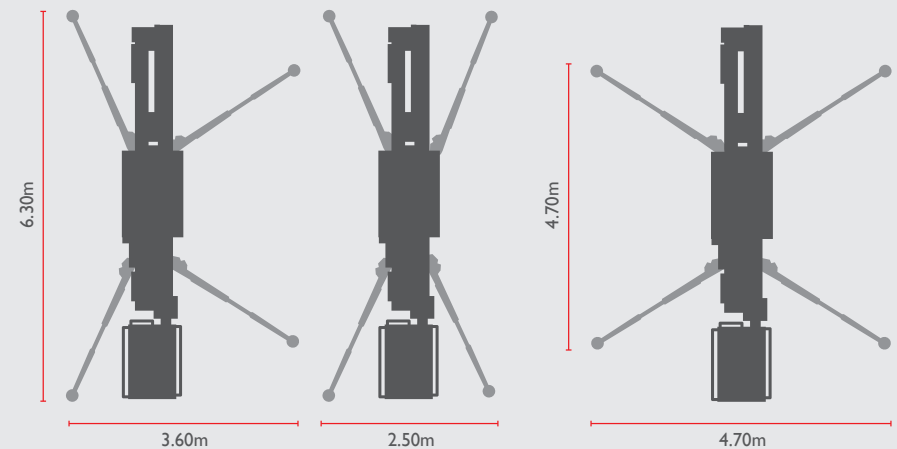




Side profile



Above profile



TR21 21.00m

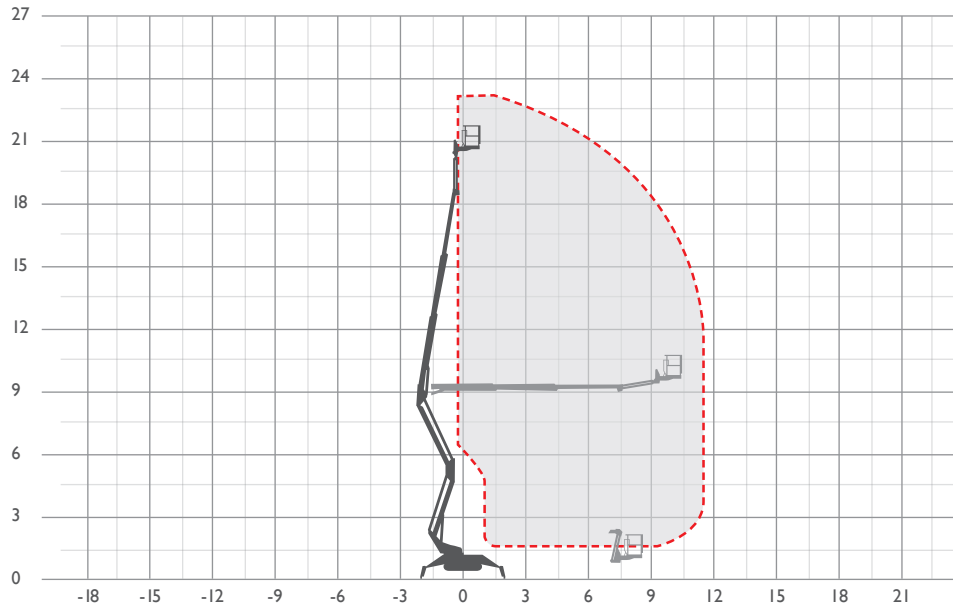
TAUPEN LEO 21GT

REACH HEIGHT	21.00m	SLEW	450°
PLATFORM HEIGHT	19.00m	UP AND OVER CLEARANCE	9.40m
CLOSED LENGTH	6.40m	MINIMUM SETUP AREA	3.60m x 6.40m (W x L)
CLOSED HEIGHT	1.99m	TRACK SURFACE AREA	1.45m x 0.20m
CLOSED WIDTH	0.98m	DRIVE SPEED	4.0km/h
HORIZONTAL REACH	12.00m	MAXIMUM SETUP INCLINE	34% (19°)
WIDTH MAX WORKING	4.70m	NO. OUTRIGGER POSITIONS	Multi 4*
WIDTH MIN WORKING	3.60m	POWER	Electric / Diesel
SAFE WORKING LOAD	2.50m		
WEIGHT	250kg	FLOOR LOADINGS	
CAGE DIMENSIONS	1.1 x 1.2 x 0.8m	MAX. LOAD PER OUTRIGGER	23.70kn
GRADEABILITY	30% (16.7°)	MAX. TRACK SURFACE PRESSURE	4.64kn/m ²
CAGE ROTATION	180°	MAX. GROUND PRESSURE WITH STANDARD OUTRIGGER PADS	????
IPAF CATEGORY	Ib		

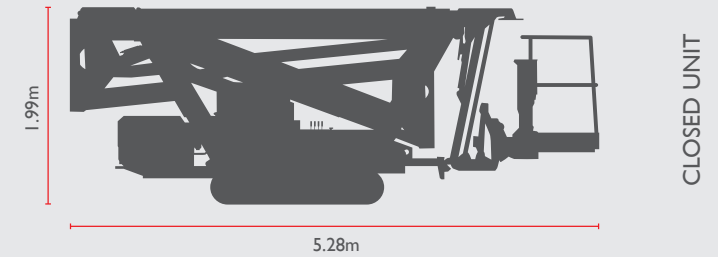
The information provided is for guidance only. It may change at any time in accordance with manufacturer's specification. Variable Jacking will affect working envelope. Outreach is variable depending on load, angle of rotation and outrigger configuration. *Narrow, standard, left side, right side.

VARIABLE JACKING

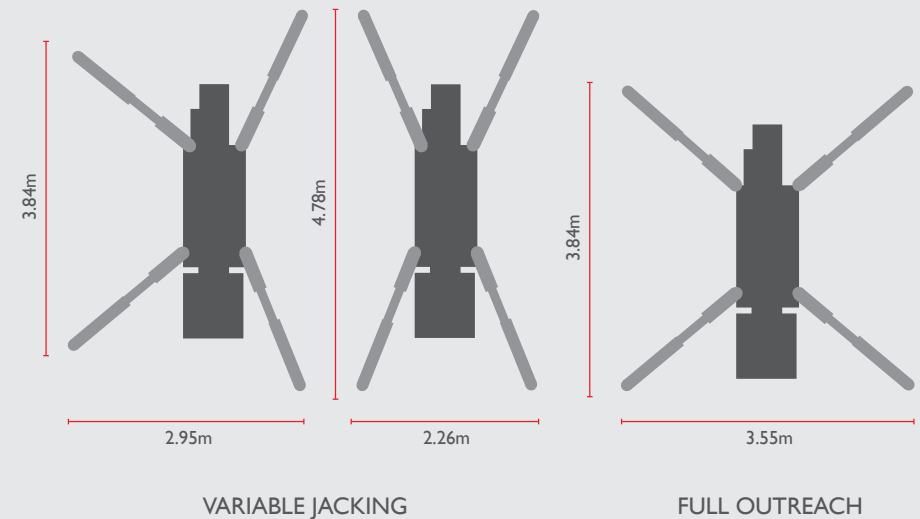
FULL OUTREACH



Side profile



Above profile

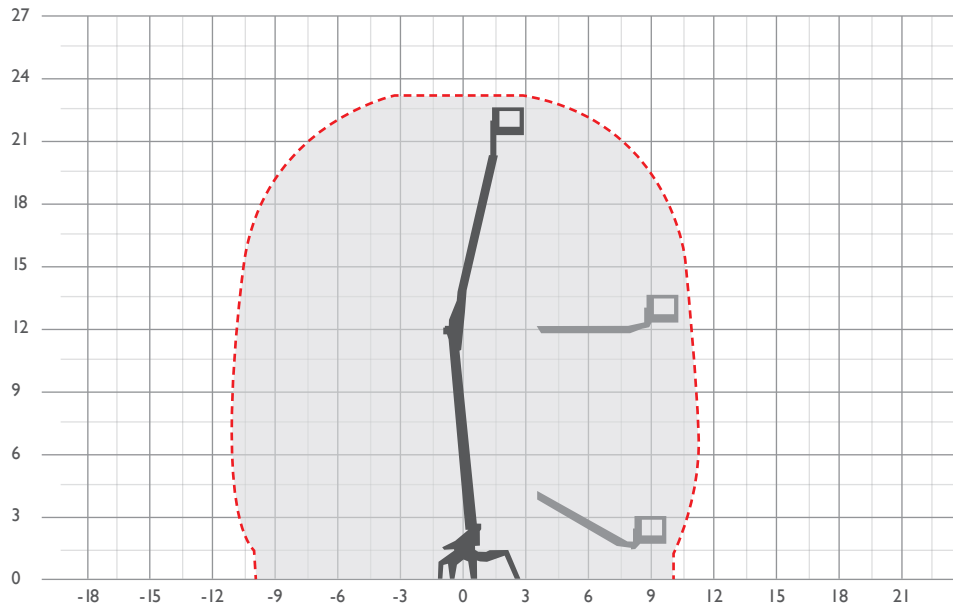


TR23 23.00m

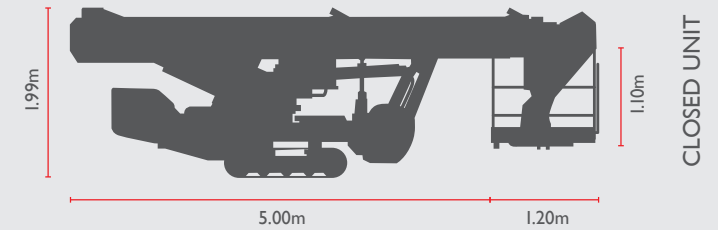
CTE TRACCESS 230

REACH HEIGHT	23.00m	SLEW	360°
PLATFORM HEIGHT	21.00m	UP AND OVER CLEARANCE	8.75m
CLOSED LENGTH	5.28m	MINIMUM SETUP AREA	2.95mx5.28m (WxL)
CLOSED HEIGHT	1.99m	TRACK SURFACE AREA	cant find
CLOSED WIDTH	0.78m	DRIVE SPEED	2.00km/h
HORIZONTAL REACH	12.00m	MAXIMUM SETUP INCLINE	31%
WIDTH MAX WORKING	3.55m	NO. OUTRIGGER POSITIONS	Multi 4*
ONE SIDE JACKING WIDTH	2.95m	POWER	Electric / Diesel
WIDTH MIN WORKING	2.26m		
SAFE WORKING LOAD	200kg	FLOOR LOADINGS	
WEIGHT	2900kg	MAX. LOAD PER OUTRIGGER	28kn/cm ²
CAGE DIMENSIONS	1.3x0.7x1.1m	MAX. TRACK SURFACE PRESSURE	6.97kn/m ²
GRADEABILITY	31%	MAX. GROUND PRESSURE WITH STANDARD OUTRIGGER PADS	28kn/cm ²
CAGE ROTATION	180°		
IPAF CATEGORY	1b		

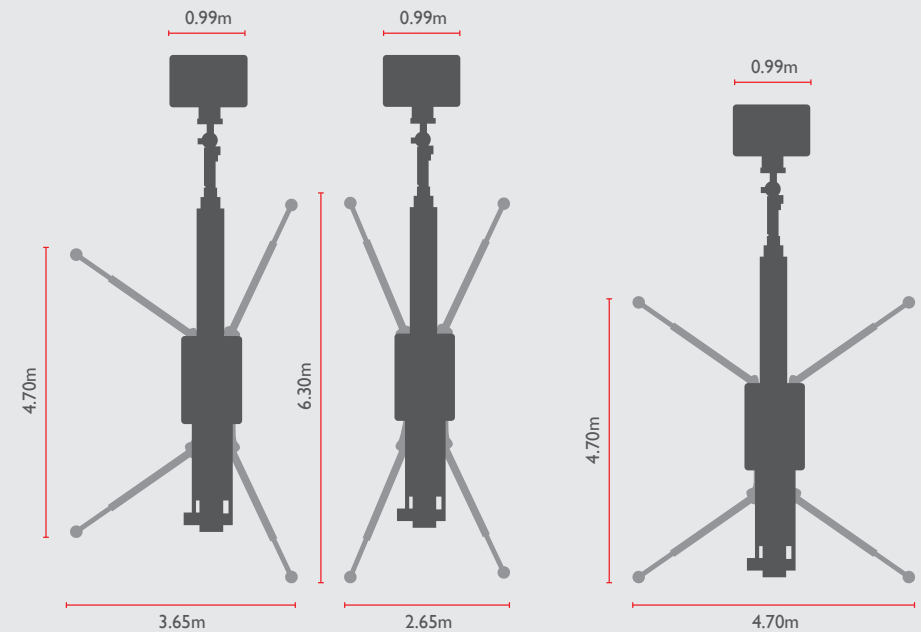
The information provided is for guidance only. It may change at any time in accordance with manufacturer's specification. Variable Jacking will affect working envelope. Outreach is variable depending on load, angle of rotation and outrigger configuration. *Narrow, standard, left side, right side



Side profile



Above profile



TR23 23.00m

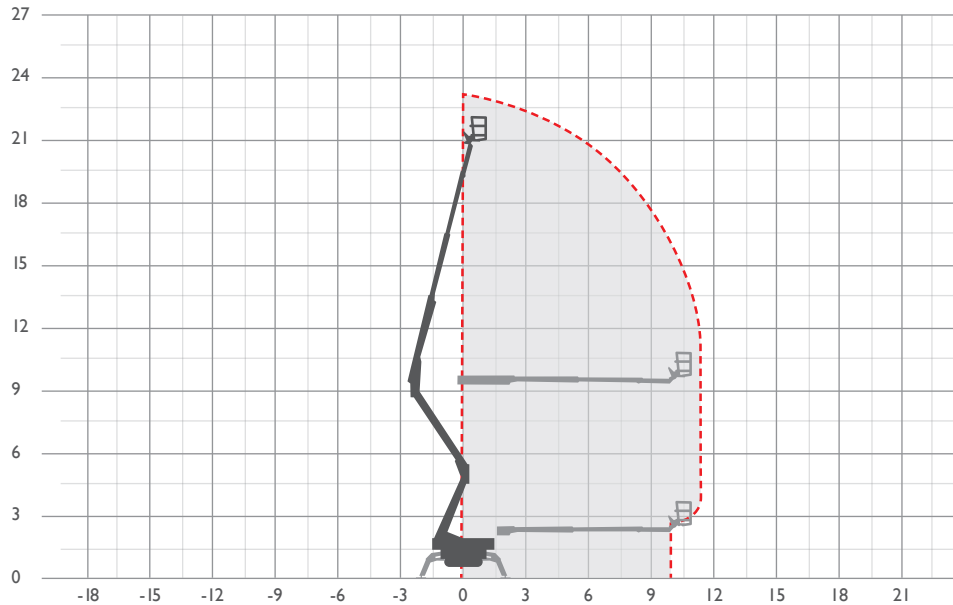
TEUPEN LEO 23GT

REACH HEIGHT	23.00m	SLEW	360°
PLATFORM HEIGHT	21.00m	UP AND OVER CLEARANCE	11.5m
CLOSED LENGTH	6.20m	MINIMUM SETUP AREA	3.42mx6.20m
CLOSED HEIGHT	1.97m	TRACK SURFACE AREA	1.45mx0.20m
CLOSED WIDTH	0.98m	DRIVE SPEED	1.3km/h
HORIZONTAL REACH	11.20m	MAXIMUM SETUP INCLINE	15.5° (27%)
WIDTH MAX WORKING	4.33m	NO. OUTRIGGER POSITIONS	Multi 4*
ONE SIDE JACKING WIDTH	3.42m	POWER	Electric / Diesel
WIDTH MIN WORKING	2.58m		
SAFE WORKING LOAD	200kg	FLOOR LOADINGS	
WEIGHT	2990kg	MAX. LOAD PER OUTRIGGER	22.4kn
CAGE DIMENSIONS	1.4x0.7x1.10	MAX. TRACK SURFACE PRESSURE	4.86kn/m2
GRADEABILITY	16.7° (30%)	MAX. GROUND PRESSURE WITH STANDARD OUTRIGGER PADS	22.4kn
CAGE ROTATION	180°		
IPAF CATEGORY	1b		

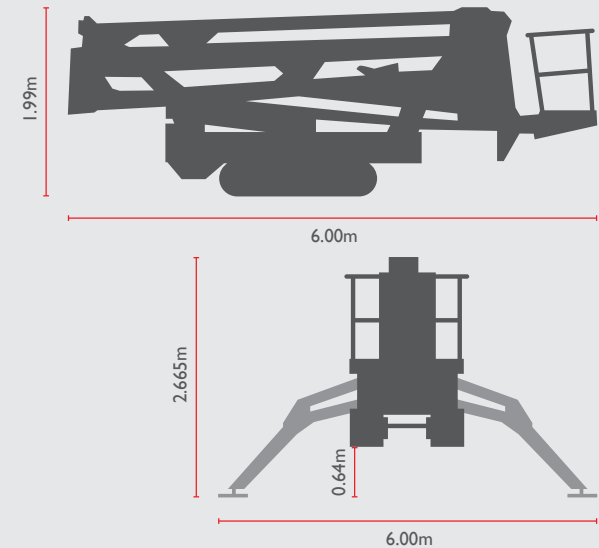
The information provided is for guidance only. It may change at any time in accordance with manufacturer's specification. Variable Jacking will affect working envelope. Outreach is variable depending on load, angle of rotation and outrigger configuration. *Narrow, standard, left side, right side

VARIABLE JACKING

FULL OUTREACH



Side profile

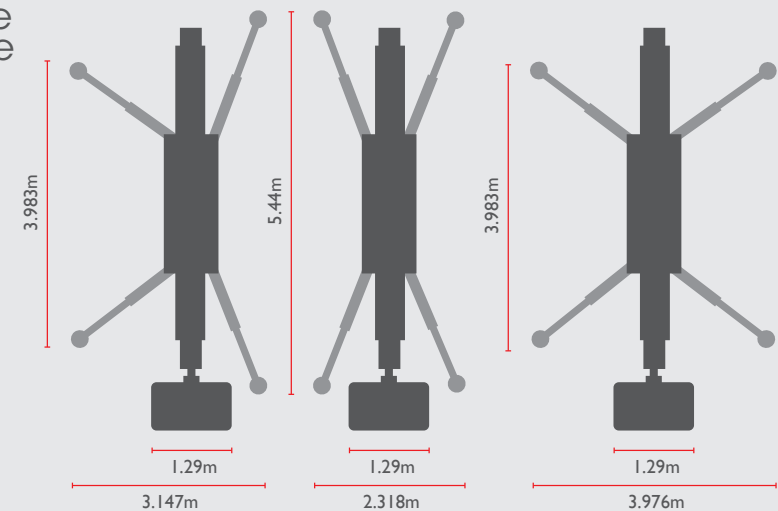


TR23 23.00m

HINOWA LIGHTLIFT 23.12

REACH HEIGHT	23.2m	SLEW	360°
PLATFORM HEIGHT	21.2m	UP AND OVER CLEARANCE	9.00m
CLOSED LENGTH	6.00m	MINIMUM SETUP AREA	3.14mx6.0m
CLOSED HEIGHT	1.99m	TRACK SURFACE AREA	??????
CLOSED WIDTH	0.99m	DRIVE SPEED	1.7km/h
HORIZONTAL REACH	11.4m	MAXIMUM SETUP INCLINE	13°
WIDTH MAX WORKING	3.9m	NO. OUTRIGGER POSITIONS	Multi 4*
ONE SIDE JACKING WIDTH	3.14m	POWER	Electric / Diesel
WIDTH MIN WORKING	2.3m		
SAFE WORKING LOAD	200kg	FLOOR LOADINGS	
WEIGHT	3100kg	MAX. LOAD PER OUTRIGGER	2100daN - 3daN/cm ²
CAGE DIMENSIONS	1.3x0.60x1.10	MAX. TRACK SURFACE PRESSURE	3000daN - 0.48daN/cm ²
GRADEABILITY	15° (27%)	MAX. GROUND PRESSURE WITH STANDARD OUTRIGGER PADS	2100daN - 3daN/cm ²
CAGE ROTATION	124°		
IPAF CATEGORY	1b		

Above profile



VARIABLE JACKING

FULL OUTREACH

The information provided is for guidance only. It may change at any time in accordance with manufacturer's specification. Variable Jacking will affect working envelope. Outreach is variable depending on load, angle of rotation and outrigger configuration. *Narrow, standard, left side, right side

New & used Powered Access machines

including Sales, Finance,
Service & Maintenance



AFI Resale is part of the AFI group of companies

- We provide new and used Powered Access machines, all with a detailed service history
- Owning your own machine could not be simpler with our flexible finance options such as hire purchase and long term hire
- We use our knowledge and expertise to assist you with export and shipping
- Keep your machine maintained with our service and maintenance agreements
- We can also source new machines for you.

webuyanaccessplatform.com

If you are looking to sell your machine then simply go to our website, fill in a few contact details, some information about the machine or machines you wish to sell and we will get back to you within 24 hours with a provisional quote and appointment to arrange an on-site valuation. Visit webuyanaccessplatform.com for more details.*

t 08707 879 835 e info@afi-resale.co.uk w afi-resale.co.uk

Terms and conditions apply. *webuyanaccessplatform.com only available in England, Scotland and Wales.



Health, safety and skills training

for industry, construction
& maintenance



UTN Training is part of the AFI group of companies

- We provide affordable training that is well respected, with a reputation for delivering outstanding quality and service. We are recognised as a leading provider of IPAF and PASMA training within the Working at Height industry
- We specialise in safety and skills training courses such as CITB Site Safety, First Aid, Confined Spaces and New Roads & Street Works

Classroom & site based learning courses include:

- Working at Height - IPAF
- Working at Height - PASMA
- CITB Site Safety Plus
- IOSH
- NEBOSH
- Abrasive Wheels
- Manual Handling
- Asbestos Awareness
- First Aid
- Driver CPC
- New Roads & Street Works
- Confined Spaces

E-learning courses include:

- Asbestos Awareness for Architects & Designers - IATP
- Basic Fire Awareness for Care Home
- Fire Marshal Training for Care Homes
- Level 1 & 2 Food Safety - Manufacturing or Catering
- Asbestos Awareness - IATP
- Basic Legionella Management
- Manual Handling
- Working at Height
- Basic Fire Awareness
- Fire Extinguisher Training
- Fire Marshal Training
- IOSH
- NEBOSH

t 08707 871 511 e enquiries@utntraining.co.uk w utntraining.co.uk



Fully funded NVQs
for Plant Operatives
& Site Supervisors.
Visit training-its.co.uk
or call 0845 177 8001

Powered Access hire for MEWPs, truck & track mounts



AFI Hire is part of the AFI group of companies.

We provide a UK wide hire network of over 5,000 modern Powered Access machines through 20 depots. With reach heights from 3.60m to 55m they include push around verticals, mast lifts, scissor lifts, articulating booms, stick booms, truck & track mounts as well as telehandlers. AFI Hire operates three brands which includes AFI-Uplift, AJ Rentals and Wilson Access Hire, each giving their own unique solution to working at height.



Familiarisation & Emergency Lowering Videos

View now on any smart device afi-uplift.co.uk/fam

Simply scan the QR code on your MEWP from your smart phone, tablet or visit: www.afi-uplift.co.uk/fam



Local service, national reach

**National Hire, Sales
and Training**
Hire **08707 511 005**
Sales **08707 879 835**
Training **08707 871 511**

SCOTLAND / NORTH ENGLAND

1. Scotland

t 01698 844 655 f 01698 748 036
e scotland.depot@afi-group.co.uk

2. North East

t 0191 419 0757 f 0191 416 5513
e northeast.depot@afi-group.co.uk

3. Wakefield Training Centre

t 08707 871 511 f 01924 377 314
e enquiries@utntraining.co.uk

4. Preston

t 01772 709 731 f 01772 759 488
e preston.depot@afi-group.co.uk

5. Wakefield

t 01924 224 380 f 01924 891 032
e wakefield.depot@afi-group.co.uk

6. Normanton Training Centre

t 08707 871 511 f 01924 377 314
e enquiries@utntraining.co.uk

7. Hull

t 01482 341 799 f 01482 345 099
e hull.depot@afi-group.co.uk

8. Liverpool

t 0151 545 2190 f 0151 545 2199
e liverpool.depot@afi-group.co.uk

9. Liverpool Training Centre

t 08707 871 511 f 01924 377 314
e enquiries@utntraining.co.uk

10. Manchester

t 0161 707 7895 f 0161 707 7896
e manchester.depot@afi-group.co.uk

MIDLANDS

11. Castle Donington Support Centre

t 01332 855 350 f 01332 696 932
e marketing@afi-group.co.uk

12. East Midlands

t 0115 975 3064 f 0115 975 5387
e eastmidlands.depot@afi-group.co.uk

13. Peterborough

t 01733 206 638 f 01733 205 791
e peterborough.depot@afi-group.co.uk

14. Birmingham

t 0121 525 7226 f 0121 525 5547
e birmingham.depot@afi-group.co.uk

15. Midlands Training Centre

t 08707 871 511 f 01924 377 314
e enquiries@utntraining.co.uk

WALES / SOUTH ENGLAND

16. Milton Keynes

t 01908 670 237 f 01908 669 408
e miltonkeynes.depot@afi-group.co.uk

17. Swansea

t 01792 312 140 f 01792 793 994
e swansea.depot@afi-group.co.uk

18. Caldicot

t 01291 437 710 f 01291 423 930
e caldicot.depot@afi-group.co.uk

19. Swindon

t 01793 766 744 f 01793 763 503
e swindon.depot@afi-group.co.uk

20. London West

t 01753 783 744 f 01753 650 808
e londonwest.depot@afi-group.co.uk

21. London East

t 01277 812 976 f 01277 814 568
e londoneast.depot@afi-group.co.uk

22. London Training Centre

t 08707 871 511 f 01924 377 314
e enquiries@utntraining.co.uk

23. London South

t 01732 781 034 f 01732 887 425
e londonsouth.depot@afi-group.co.uk

24. Southampton

t 08701 126 833 f 08701 126 844
e southampton.depot@afi-group.co.uk

25. Exeter

t 01395 232 550 f 01395 232 610
e southwest.depot@afi-group.co.uk

26. Newquay

t 01637 355 190 f 01637 330 026
e newquay.depot@afi-group.co.uk



Hire / Sales Depot



Training Venue



AFI group of companies

2nd Floor West Wing, Diamond House, Diamond Business Park,
Thames Moor Road, Wakefield, WF2 8PT
t 08707 871 513 e info@afi-group.co.uk w afi-group.co.uk
Company registration in England No: 353935

AFI
group of companies

Hire | Sales | Training | Safety