

Hi-Tec Controls

Established 1985

(Bolton) Ltd.

Features at a Glance

- 90 degrees single rota or 120 degrees single rota to suite individual requirement are available.
- 100% duty cycle.
- Flow rate of up to 22 people per min in single direction.
- Bi-directional control-fail safe or fail secure can be provided.
 - Time out relay.
 - Manual override/by pass key.



HTC Turnstile

The HTC full Height turnstile is an ideal solution where unsupervised security and access control are desired.

The turnstile is fitted with an electronic control board and can interface with any card access system.

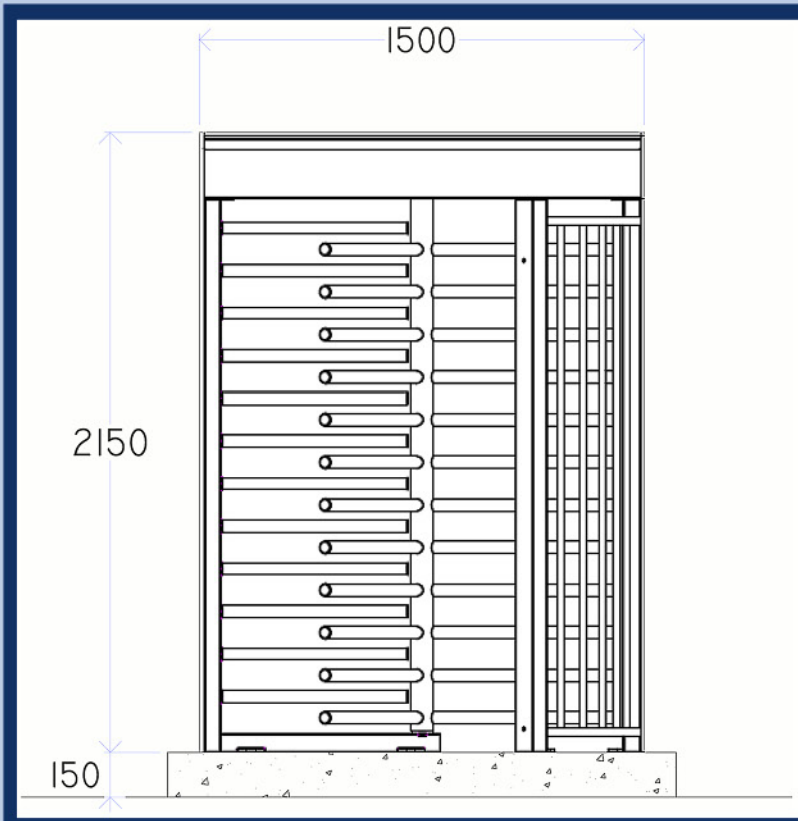
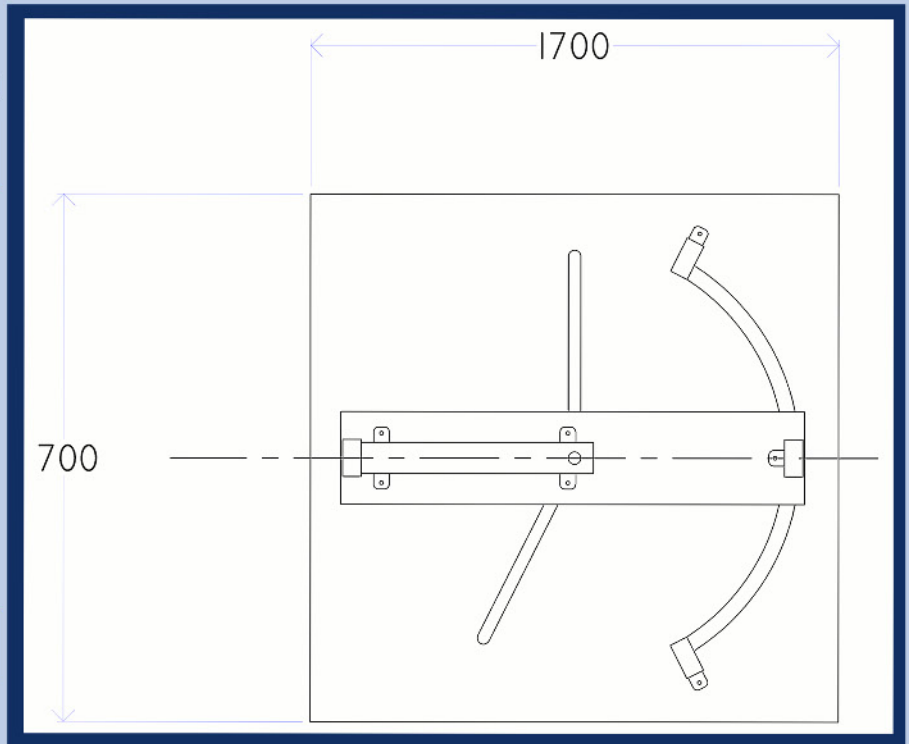
The Turnstile can be constructed from mild or stainless steel for long lasting and virtually maintenance free performance. The Latest design & style ensures maximum convenience and ease of use.



Phone: 01204 602 518 or visit
www.hiteccontrols.co.uk

Technical Specification

- Power supply 240vac (110vac optional) 50/60Hz, Converted to 24 volts.
- Power consumption less than 5Amp
- Working temperature -15C- 43C
- The electrical full height turnstile communicates with authorized access control systems using potential free contacts.



Options

- Red/green indicator lights.
- Custom powder coated (RAL) choices.
- Complete stainless steel construction.
- Walk way canopy and lights can be fitted.
- Wide range of access control systems such as card access or push button control.

Hi-Tec Controls Ltd reserves the right to alter specifications from those detailed above without notice. Exact specifications for individual contracts can differ from those shown here and are provided in detailed quotations.

01204 602 518

www.hiteccontrols.co.uk

Unit 9 Dunscar Business Park, Bolton, BL7 9PQ

