

Total Cubicle Solutions

Challenger Range

Cubicles • Vanity Units • IPS Units



Challenger Range

Introducing a new dimension in washrooms.

When you require a solution that just works, Challenger provides the answer! Suitable for pools or high traffic areas, Challenger offers an attractive, cost effective solution.

Manufactured in high quality, 13mm compact grade laminate, the system is versatile and is suitable for WC, shower and changing room applications.

Challengers colour flexibility has always been a key feature, providing customers with contrasting colours to highlight components and to bring creative flair into the washroom. Total Cubicle Solutions has raised expectations by introducing 37 stimulating colours, providing you with the optimum colour palette to deliver innovative washroom solutions.

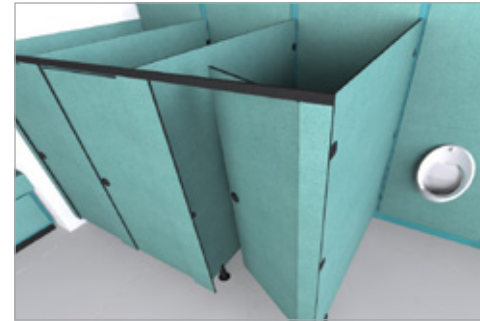
To comply with new Building Regulations, part M, Total Cubicle Solutions has added enlarged and ambulant cubicle options to the Challenger range. Together with our service promise, you are now in the position to specify, with confidence, a stunning washroom installation for any market sector, at an economical price.

Total Cubicle Solutions take pride in providing a personalised, professional and cost effective service and recommend Challenger in the following applications:

- Hospitals
- Health Centres
- Sports Stadiums
- Schools and Colleges
- HM Prisons
- Night Clubs and Industrial applications.

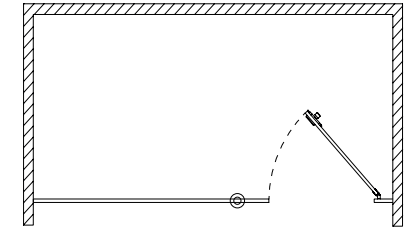
We can offer a fast turnaround for the tightest of deadlines, and having built up a reputation for superb after sales support, our goal is to supply your cubicles with the minimum of fuss, ensuring that from the start to finish, your project runs smoothly.

All this, and the added reassurance that you are dealing with people with over 75 years experience in the industry.

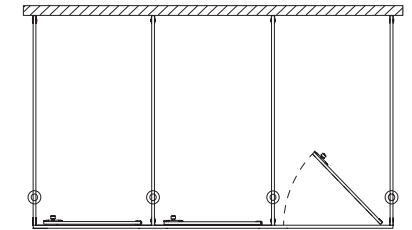


Toilet Cubicle Layout Options

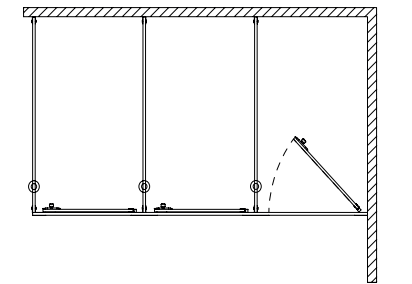
Single Cubicle (SI)



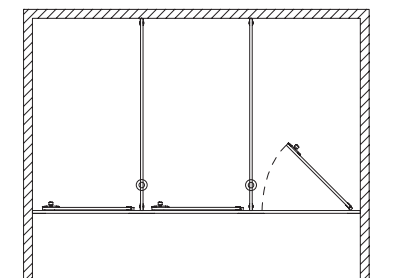
Free Standing (FS)



Open Ended (OE)



Between Walls (BW)



Units 5-7, Luton Street
Liverpool
L5 9XR

T: 0844 800 7785
F: 0844 800 7738
E: sales@totalcubicles.co.uk

Fittings and Accessories

Challengers fittings are built to stand the test of time. They come in an attractive black powder coated finish to contrast with the Challenger Range colour options.

TCHIN13B / TCHIN19B



TCCHA13B / TCCHA19B



TCTRHOLDB



TCRL13B / TCRL19B



TCHOOKB



TCCH2MB / TCCH4MB



TCIDKB



TCODKB





DOOR BUFFER



Units 5-7, Luton Street
Liverpool
L5 9XR

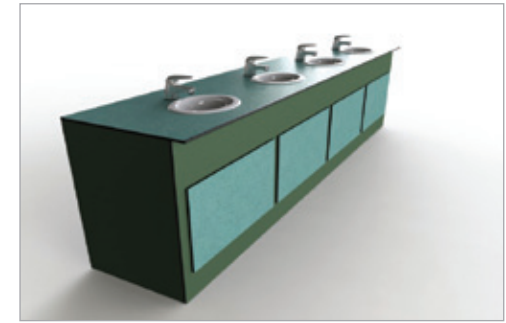
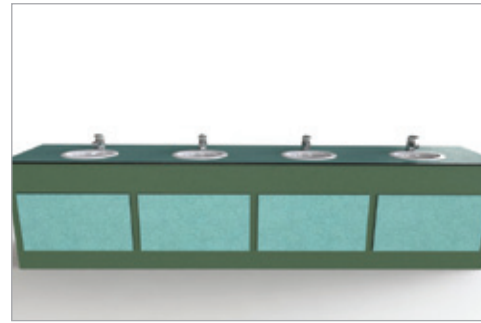
T: 0844 800 7785
F: 0844 800 7738
E: sales@totalcubicles.co.uk

Challenger Colour Options

| | | | | | | | | | |
|--|--|---|--|--|--|--|---|---|---|
|  |  |  |  |  |  |  |  |  |  |
| Aigue Marine A-014 | Amandine A-036 | Aulne Naturel A-057 | Blanc Menuires B-015 | Bleu Oslo B-048 | Beton Naturel B-057 | Bleu Caraibes B-086 | Caviar C-011 | Coquille d'Oeuf C-017 | Chardon C-018 |
|  |  |  |  |  |  |  |  |  |  |
| Capucine C-062 | Cosmic Beige C-030 | Cosmic Vert C-031 | Cosmic Rose C-032 | Erable Nordique E-028 | Fumee F-008 | Gris Perle G-003 | Genet G-031 | Pommier de Hornfleur H-025 | Mousse M-047 |
|  |  |  |  |  |  |  |  |  |  |
| Maryland Clair M-001 | Maryland Fonce M-003 | Myriade Jaune M-077 | Myriade Vert M-079 | Nova Lilas N-022 | Nova Saphir N-023 | Noyer Ombre N-026 | Noyer Venitien N-027 | Nova Mousse N-028 | Nova-Argile N-049 |
|  |  |  |  |  |  |  | | | |
| Rouge Cerise R-036 | Schiste S-018 | Vega Noir V-032 | Volans Bleu V-050 | Volans Noir V-051 | Volans Rouge R-036 | Heather Blue Y-023 | | | |

Vanity Units

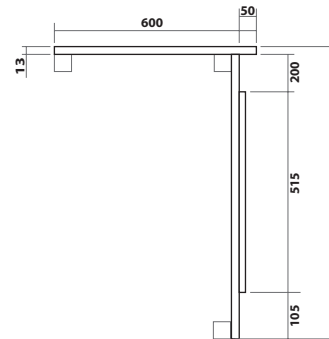
The Challenger range of vanity units has an exceptional resistance to water and impact and is available in matching colours to the Challenger range of cubicles.



Vanity Unit Layout Options

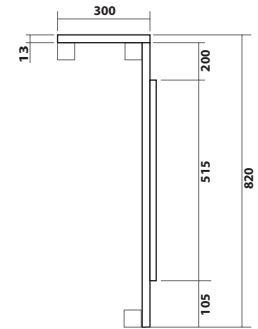
Standard Vanity Unit

CHALVSTD



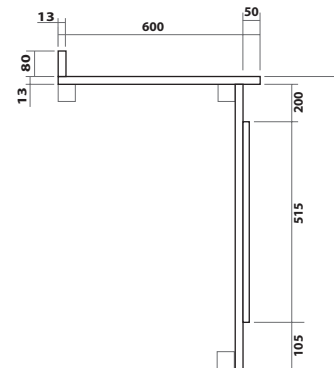
Semi-recessed Vanity Unit

CHALVSR



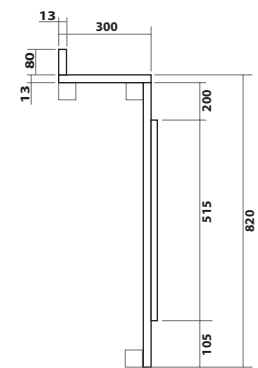
Standard Vanity Unit with Loose Upstand

CHALVSTDLU



Semi-recessed Vanity Unit with Loose Upstand

CHALVSRULU



Units 5-7, Luton Street
Liverpool
L5 9XR

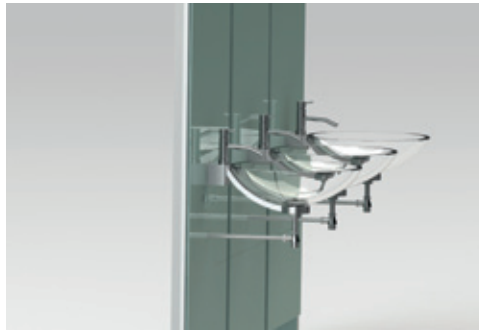
T: 0844 800 7785

F: 0844 800 7738

E: sales@totalcubicles.co.uk

IPS Units

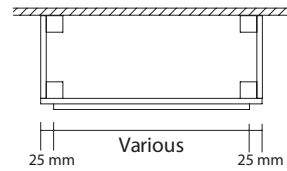
The Challenger range of IPS units has an exceptional resistance to water and impact and is available in matching colours to the rest of the Challenger range.



IPS Layout Options

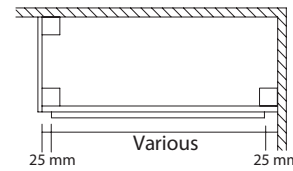
Free Standing

(FS)



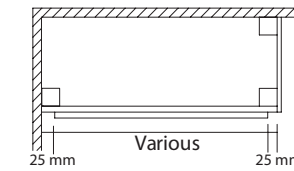
Open Ended Left

(OELH)



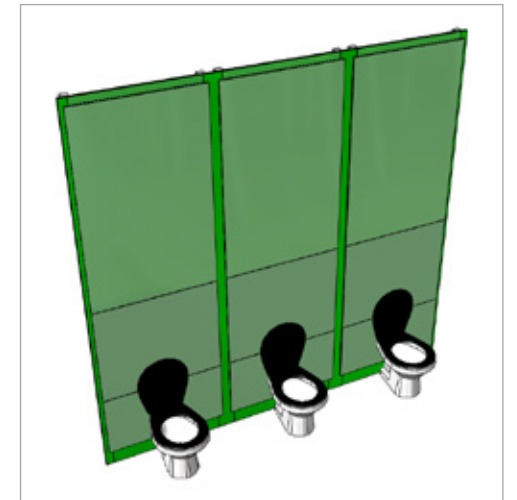
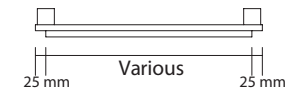
Open Ended Right

(OERH)



Hole In Wall

(HIW)



Units 5-7, Luton Street
Liverpool
L5 9XR

T: 0844 800 7785
F: 0844 800 7738
E: sales@totalcubicles.co.uk

Installation Instructions

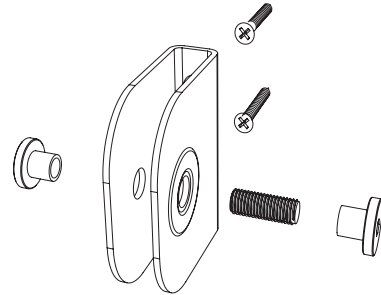
Please look over the enclosed drawings to familiarise yourself with the parts required to construct your cubicle. Check that the sizes you have provided for manufacture are correct and match the sizes on site.

Installing The Partitions

Please Note: We no longer pre-drill the partitions as Soil Stacks and Window Placements can compromise the fitting position. Normally our Cubicles are divided equally along the wallspace except where Ambulant or Disabled Cubicles are to be implemented.

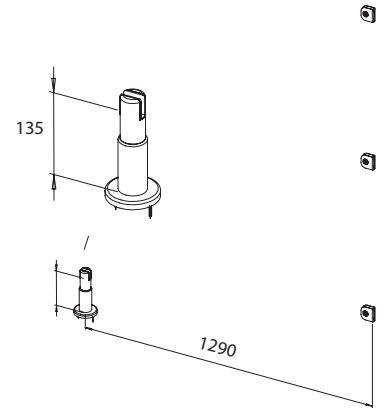
Step 1

Fix the partition channel brackets to the rear wall using 35x4mm posi screws and red plugs.



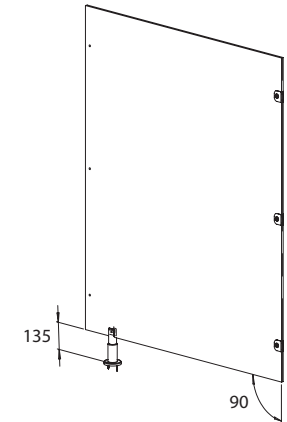
Step 2

The partitions should be set up 135mm off the floor on the adjustable leg provided. Tighten the Allen Head Clamp down securely on the partition.



Step 3

Next check the squareness of the partition and then fix the height adjustable leg to the floor with 35x4mm posi screws and red plugs, (please ensure before drilling that no under floor heating is present).

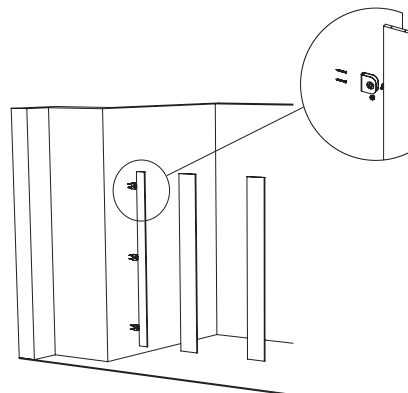


Installing Pilasters

Step 4

Start by installing an end pilasters back to the wall on the brackets provided, using 35x4mm posi screws and red plugs.

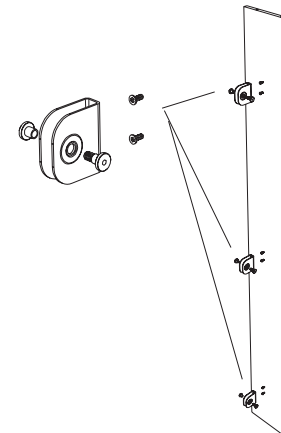
Set the pilaster height 135mm up from the floor to match the partition height and tighten the T-Nuts down securely on the pilaster.



Step 5

Fit the channel brackets centrally to the back of the centre pilaster, pilot the holes 10mm deep and fix with resistorx 12x4 screws.

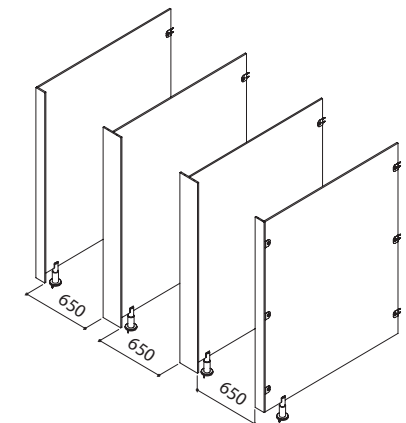
Fit the pilaster by bolting through with the T-Nuts provided. Tighten securely with an Allen Key.



Check Measurements

Step 6

Next, measure the door aperture; it should measure 35mm less than the overall width of the door. If this matches, you can continue on, installing the remaining centre pilasters, again checking the aperture and measurements as you go.



Installation Instructions

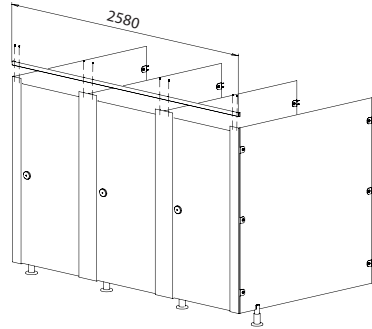
Please look over the enclosed drawings to familiarise yourself with the parts required to construct your cubicle. Check that the sizes you have provided for manufacture are correct and match the sizes on site.

Fit The Channel Headrail

Step 7

The Channel headrail is what braces the whole cubicle construction, so correct fitment of this item is essential. Start by cutting the headrail to the correct length. Next, fit the rail over the pilaster.

Pre-drill the pilasters through the top of the headrail and affix 3 12x4mm screws into the top of each pilaster bracing the construction.



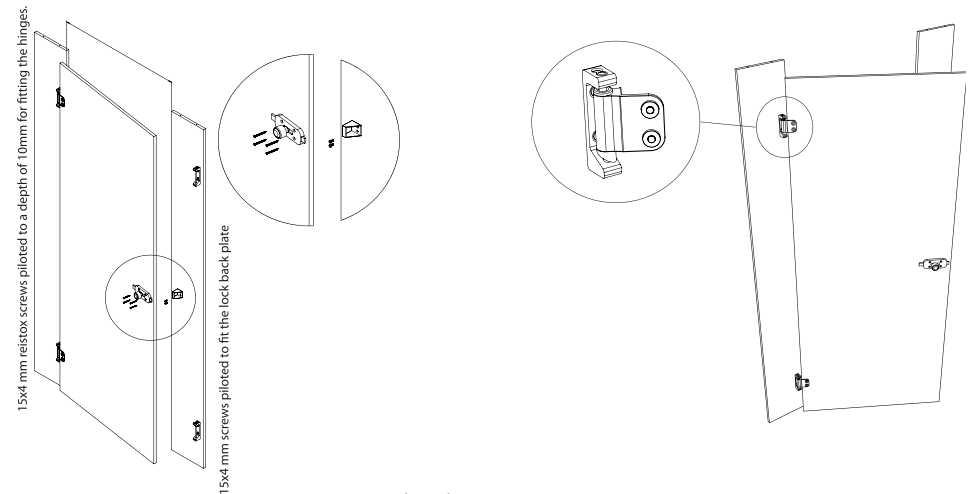
Fitting The Doors And Lock Keeps

Step 8

The doors provided should overlap the aperture by 35mm. The door should now be fitted ensuring an equal overlap of 17.5mm on either side of the pilaster/aperture.

Use the 12x4mm Resistox screws piloted to a depth of 10mm to fit the hinges and 12x4 screws piloted to 10mm deep to fit the lock back plate assembly. Next fit the lock keep on the pilaster with 12x4mm Resistox screws.

Please Note: The nylon cams in the hinges can be adjusted to allow the door to swing open or closed. To change the operation of the closure, remove the nylon cam and turn in through 90 degrees. The locks are also symmetrical and can be used on either side of the door.

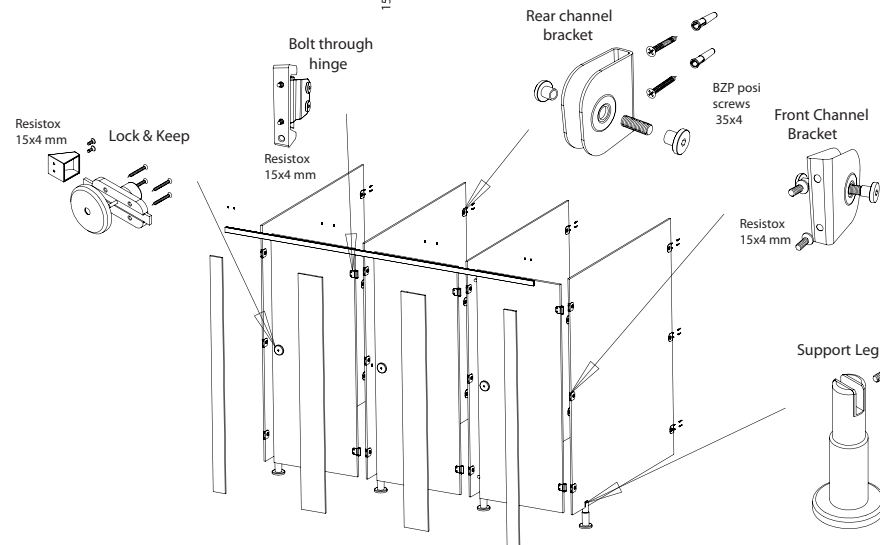


Accessories

Step 9

Fit the hat, coat hook and toilet roll holders at the desired height using the 12x4mm Resistox screws piloted to 10mm depth.

Please Note: We do provide T-Nuts so the hinges and pilaster can be bolted through. This is sometimes a more robust solution when vandalism is prevalent, though standard construction is aesthetically more pleasing to look at than the bolt through option.



Units 5-7, Luton Street
Liverpool
L5 9XR

T: 0844 800 7785
F: 0844 800 7738
E: sales@totalcubicles.co.uk