

# Total Cubicle Solutions

## Mirage Range

Cubicles • Vanity Units • IPS Units



## Mirage Range

Introducing a new dimension in washrooms.

When you require a solution that just works, Mirage provides the answer! Suitable for pools or high traffic areas, Mirage offers an attractive, cost effective solution.

Manufactured in high quality, 13mm compact grade laminate, the system is versatile and is suitable for WC, shower and changing room applications.

Mirage's colour flexibility has always been a key feature, providing customers with contrasting colours to highlight components and to bring creative flair into the washroom. Total Cubicle Solutions has raised expectations by introducing 44 stimulating colours, providing you with the optimum colour palette to deliver innovative washroom solutions.

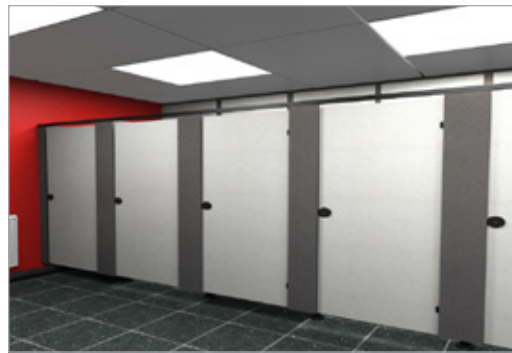
To comply with new Building Regulations, part M, Total Cubicle Solutions has added enlarged and ambulant cubicle options to the Mirage range. Together with our service promise, you are now in the position to specify, with confidence, a stunning washroom installation for any market sector, at an economical price.

Total Cubicle Solutions take pride in providing a personalised, professional and cost effective service and recommend Mirage in the following applications:

- Hospitals
- Health Centres
- Sports Stadiums
- Schools and Colleges
- HM Prisons
- Night Clubs and Industrial applications.

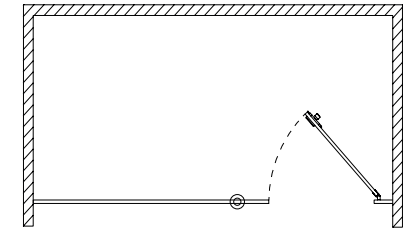
We can offer a fast turnaround for the tightest of deadlines, and having built up a reputation for superb after sales support, our goal is to supply your cubicles with the minimum of fuss, ensuring that from the start to finish, your project runs smoothly.

All this, and the added reassurance that you are dealing with people with over 75 years experience in the industry.

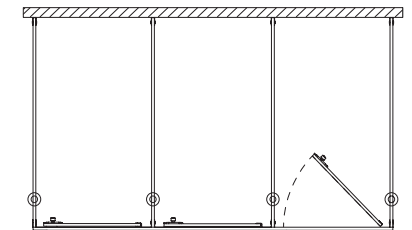


## Toilet Cubicle Layout Options

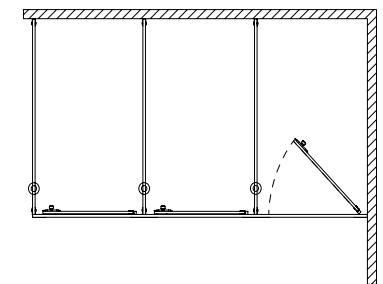
### Single Cubicle (SI)



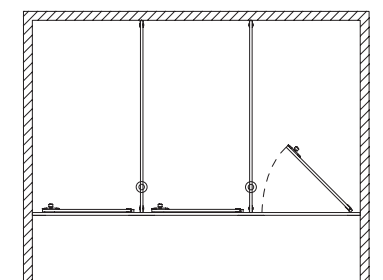
### Free Standing (FS)



### Open Ended (OE)



### Between Walls (BW)



Units 5-7, Luton Street  
Liverpool  
L5 9XR

T: 0844 800 7785  
F: 0844 800 7738  
E: sales@totalcubicles.co.uk

## Fittings and Accessories

Mirage fittings are built to stand the test of time. They come in an attractive black powder coated finish to contrast with the Mirage Range colour options.

TCHIN13B / TCHIN19B



TCCHA13B / TCCHA19B



TCTRHOLDB



TCRL13B / TCRL19B



TCHOOKB



TCCH2MB / TCCH4MB



TCIDKB



TCODKB



DOOR BUFFER



Units 5-7, Luton Street  
Liverpool  
L5 9XR

T: 0844 800 7785  
F: 0844 800 7738  
E: sales@totalcubicles.co.uk

## Mirage Colour Options

									
Peaceful Blue F 0231	Heather F 0233	French Sycamore F 1143	Steel F 1484	Chrome Yellow F 1485	Lava Dust F 1936	Lilac Dust F 1941	Polar White F 2255	Seringa F 2273	Pale Mint F 2581
									
Super White F 2696	Tropical Blue F 2828	Vosges Pear F 2884	Savoy Beach F 2887	Cygnet F 3050	Lava Speckle F 3175	Clear Maple F 3855	Blue Tuff F 5090	Brushed Aluminium F 5163-09	Powdered Aluminium F 5163-47
									
Brushed Stainless F 5164-09	Powdered Stainless F 5164-47	Cameo Pink F 5491	Artic Blue F 5493	Aquamarine F 5494	Green Spa F 6389	Blue Spa F 6390	Sheer F 6905	Macchiato Walnut F 6932	Rose Ash Grafix F 7504
									
Dusty Jade Grafix F 7505	Folkestone Grafix F 7507	Almond Grafix F 7517	Blue Silk Grafix F 7522	Graphite F 7837	Spectrum Red F 7845	Dusty Jade F 7879	Thistle F 7880	Pale Gold F 7882	China Blue F 7884
									
Surf F 7923	Folkestone F 7927	Antique White F 7932	Fog F 7961						

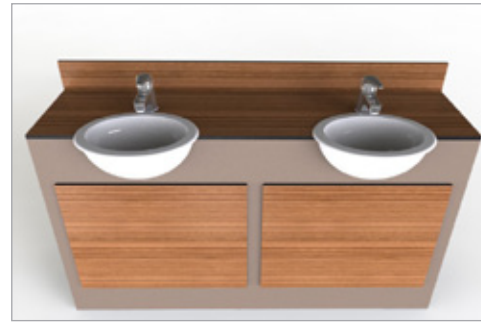


Units 5-7, Luton Street  
Liverpool  
L5 9XR

T: 0844 800 7785  
F: 0844 800 7738  
E: sales@totalcubicles.co.uk

## Vanity Units

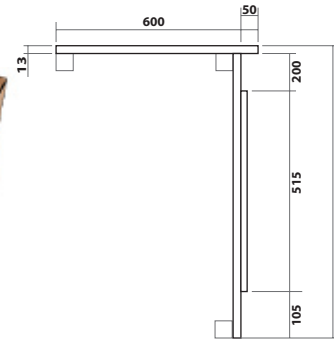
The Mirage range of vanity units has an exceptional resistance to water and impact and is available in matching colours to the Mirage Range of cubicles.



### Vanity Unit Layout Options

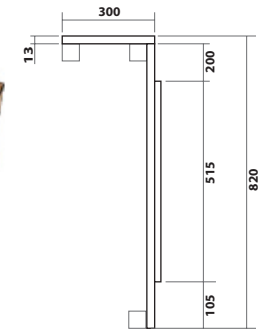
#### Standard Vanity Unit

MIRVSTD



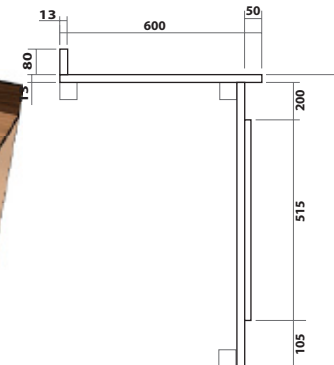
#### Semi-recessed Vanity Unit

MIRVSR



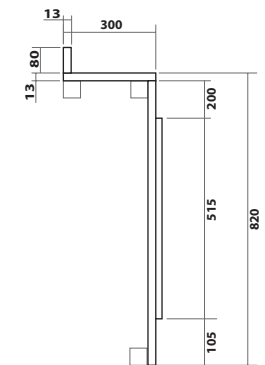
#### Standard Vanity Unit with Loose Upstand

MIRVSTDLU



#### Semi-recessed Vanity Unit with Loose Upstand

MIRVSR LU



Units 5-7, Luton Street  
Liverpool  
L5 9XR

T: 0844 800 7785  
F: 0844 800 7738  
E: sales@totalcubicles.co.uk

## IPS Units

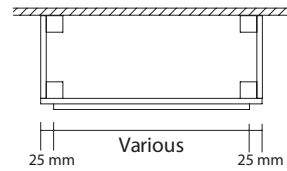
The Mirage range of IPS units has an exceptional resistance to water and impact.



### IPS Layout Options

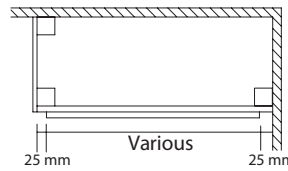
#### Free Standing

(FS)



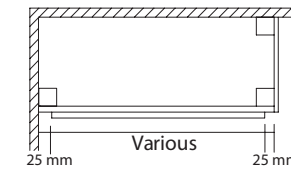
#### Open Ended Left

(OELH)



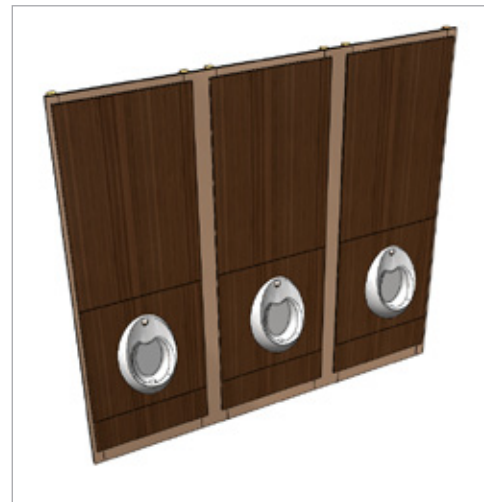
#### Open Ended Right

(OERH)



#### Hole In Wall

(HIW)



Units 5-7, Luton Street  
Liverpool  
L5 9XR

T: 0844 800 7785  
F: 0844 800 7738  
E: sales@totalcubicles.co.uk

## Installation Instructions

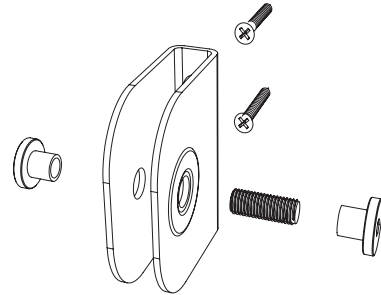
Please look over the enclosed drawings to familiarise yourself with the parts required to construct your cubicle. Check that the sizes you have provided for manufacture are correct and match the sizes on site.

### Installing The Partitions

**Please Note:** We no longer pre-drill the partitions as Soil Stacks and Window Placements can compromise the fitting position. Normally our Cubicles are divided equally along the wallspace except where Ambulant or Disabled Cubicles are to be implemented.

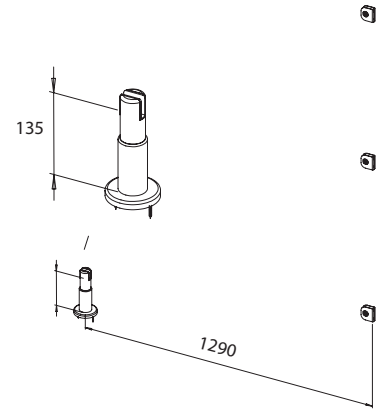
#### Step 1

Fix the partition channel brackets to the rear wall using 35x4mm posi screws and red plugs.



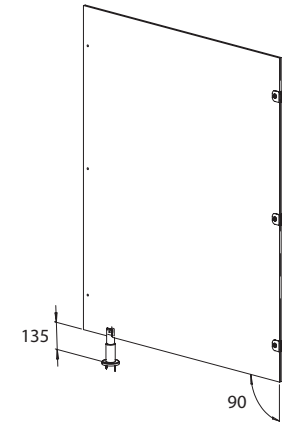
#### Step 2

The partitions should be set up 135mm off the floor on the adjustable leg provided. Tighten the Allen Head Clamp down securely on the partition.



#### Step 3

Next check the squareness of the partition and then fix the height adjustable leg to the floor with 35x4mm posi screws and red plugs, (please ensure before drilling that no under floor heating is present).

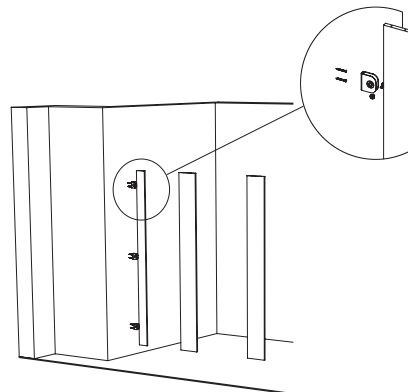


### Installing Pilasters

#### Step 4

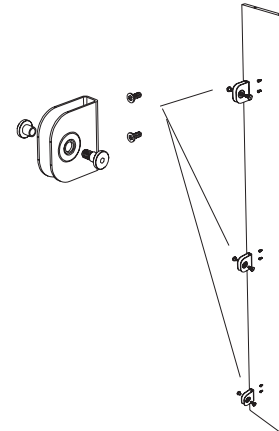
Start by installing an end pilasters back to the wall on the brackets provided, using 35x4mm posi screws and red plugs.

Set the pilaster height 135mm up from the floor to match the partition height and tighten the T-Nuts down securely on the pilaster.



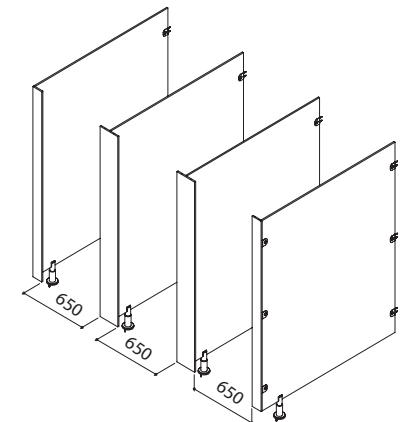
Fit the channel brackets centrally to the back of the centre pilaster, pilot the holes 10mm deep and fix with resistorx 12x4 screws.

Fit the pilaster by bolting through with the T-Nuts provided. Tighten securely with an Allen Key.



### Check Measurements

Next, measure the door aperture; it should measure 35mm less than the overall width of the door. If this matches, you can continue on, installing the remaining centre pilasters, again checking the aperture and measurements as you go.



Units 5-7, Luton Street  
Liverpool  
L5 9XR

T: 0844 800 7785  
F: 0844 800 7738  
E: sales@totalcubicles.co.uk

# Installation Instructions

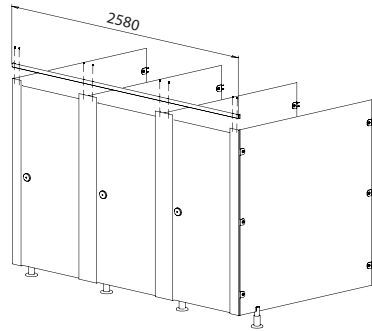
Please look over the enclosed drawings to familiarise yourself with the parts required to construct your cubicle. Check that the sizes you have provided for manufacture are correct and match the sizes on site.

## Fit The Channel Headrail

### Step 7

The Channel headrail is what braces the whole cubicle construction, so correct fitment of this item is essential. Start by cutting the headrail to the correct length. Next, fit the rail over the pilaster.

Pre-drill the pilasters through the top of the headrail and affix 3 12x4mm screws into the top of each pilaster bracing the construction.



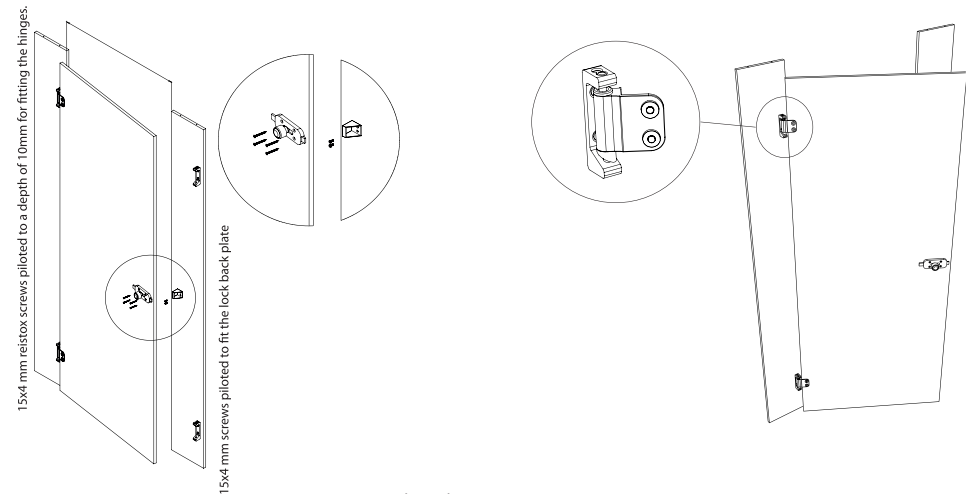
## Fitting The Doors And Lock Keeps

### Step 8

The doors provided should overlap the aperture by 35mm. The door should now be fitted ensuring an equal overlap of 17.5mm on either side of the pilaster/aperture.

Use the 12x4mm Resistorx screws piloted to a depth of 10mm to fit the hinges and 12x4 screws piloted to 10mm deep to fit the lock back plate assembly. Next fit the lock keep on the pilaster with 12x4mm Resistorx screws.

**Please Note:** The nylon cams in the hinges can be adjusted to allow the door to swing open or closed. To change the operation of the closure, remove the nylon cam and turn in through 90 degrees. The locks are also symmetrical and can be used on either side of the door.

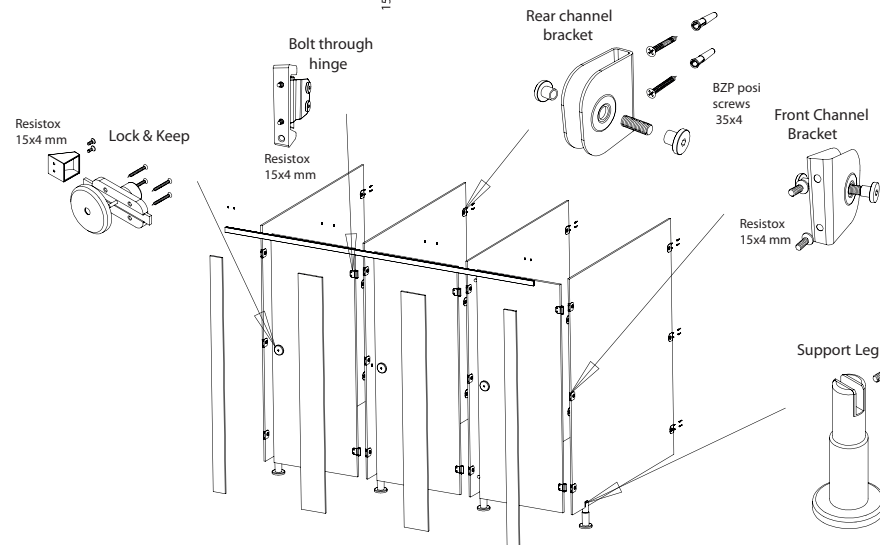


## Accessories

### Step 9

Fit the hat, coat hook and toilet roll holders at the desired height using the 12x4mm Resistorx screws piloted to 10mm depth.

**Please Note:** We do provide T-Nuts so the hinges and pilaster can be bolted through. This is sometimes a more robust solution when vandalism is prevalent, though standard construction is aesthetically more pleasing to look at than the bolt through option.



Units 5-7, Luton Street  
Liverpool  
L5 9XR

T: 0844 800 7785  
F: 0844 800 7738  
E: sales@totalcubicles.co.uk