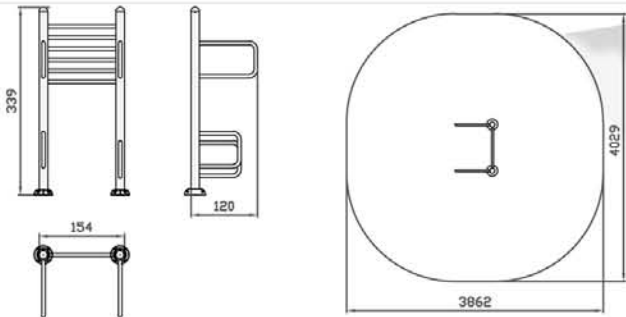


LEG RAISE

WD-157A-T Leg Raise

STRENGTH EXERCISES

- CORE
- LEGS
- BACK



Dimensions are in mm.
Do not scale from drawing.

Our fitness equipment provides opportunities for users to enjoy exercise outdoors. The range offers a wide range of activities, including upper and lower exercises through cardiovascular training, flexibility and strength training.

These are an excellent edition to any public space to encourage good health and wellbeing, without the pressures of a private gym environment.