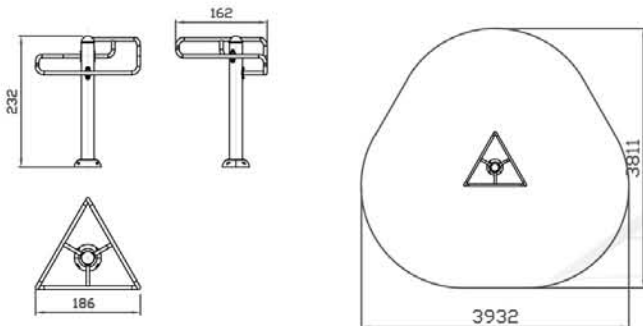


# LEG STRETCH

WD-1020CHG Leg Stretch

## FLEXIBILITY EXERCISES

- WHOLE BODY
- LEGS



Dimensions are in mm.  
Do not scale from drawing.

Our fitness equipment provides opportunities for users to enjoy exercise outdoors. The range offers a wide range of activities, including upper and lower exercises through cardiovascular training, flexibility and strength training.

These are an excellent edition to any public space to encourage good health and wellbeing, without the pressures of a private gym environment.