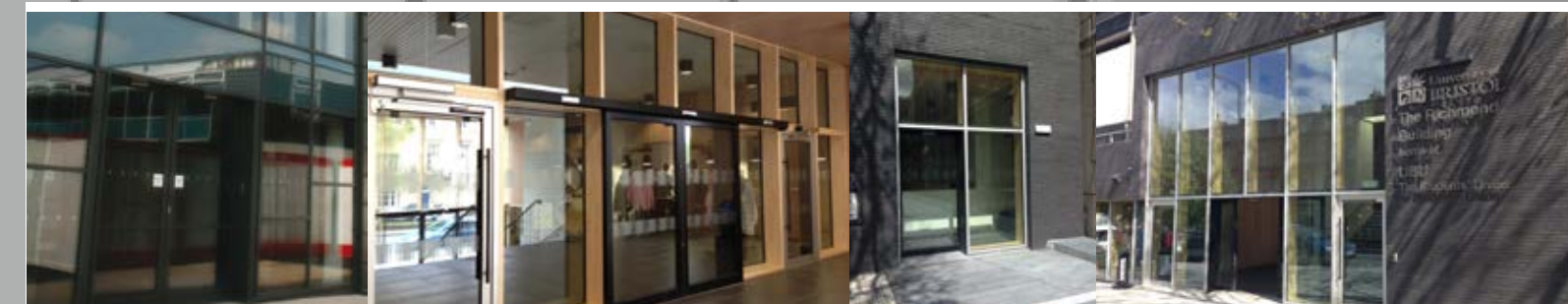


# AUTOMATIC SLIDING DOOR OPERATOR



## MILLENNIUM AUTOMATIC SLIDE DOOR OPERATOR



**MILLENNIUM** automation is sleek yet strong. This well designed operator is versatile enough to cope with any programming the modern entrance could need.

- Heavy Duty
- Six opening modes via basic selector: two way traffic, one way traffic, closed, open & winter opening on the first two modes
- Advances selector option: Allowing timed changes in mode infinitely programmable
- Battery Back-up ensures up on fire alarm the doors can always open
- Optional opening with remote control

- Doors can be closed or opened manually (in case of emergency)
- Optional connection to BMS
- Cover in a range of RAL colours
- Reduced speed opening if area to the side is occupied
- Electric in head lock available
- Fully compliant with En16005
- A vast array of accessories to activate

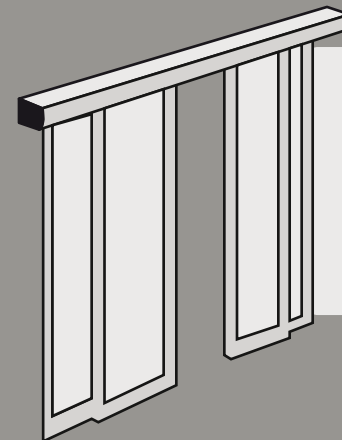
Development, testing and production of **MILLENNIUM**, as for all SESAMO products, according international standards ISO 9001.



Prosale Limited  
Unit 30 The Glenmore Centre  
Marconi Drive  
Waterwells Business Park  
Quedgley, Glos.  
GL2 2AP  
Tel: 0845 0945 636  
[www.prosaledoors.co.uk](http://www.prosaledoors.co.uk)

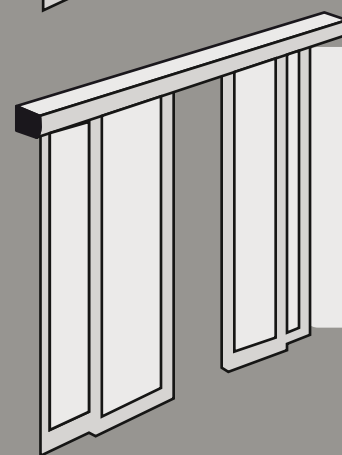
PRODUCT RANGE

MILLENNIUM



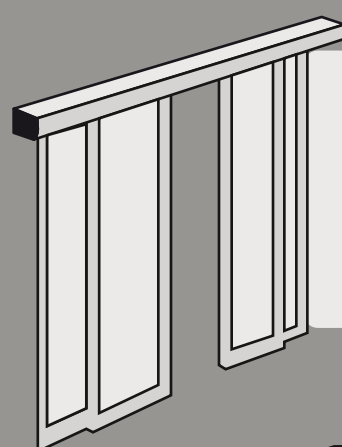
At only 115mm high, The Millennium is the slimmest operator in our range. Easily coping with weights of 120kgs for a single leaf or 80kgs each for a pair.

PRATIKA



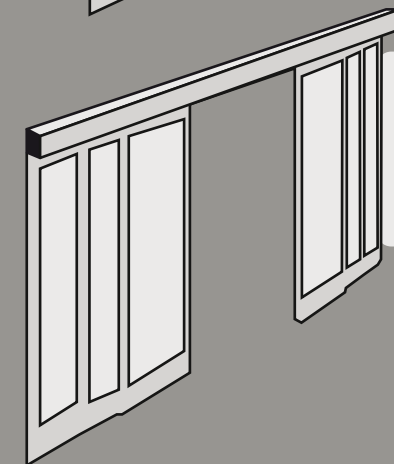
Slightly taller at 126mm high, The Pratika will easily cope with weights of 160kgs for a single leaf or 120kgs each for a pair.

PRATIKA PLUS



Remaining at 126mm high, The Pratika plus will easily cope with weights of 300kgs for a single leaf or 160kgs each for a pair. If needed we can have a pair of doors each weighing 300kgs by synchronising two motors.

TELESCOPICA

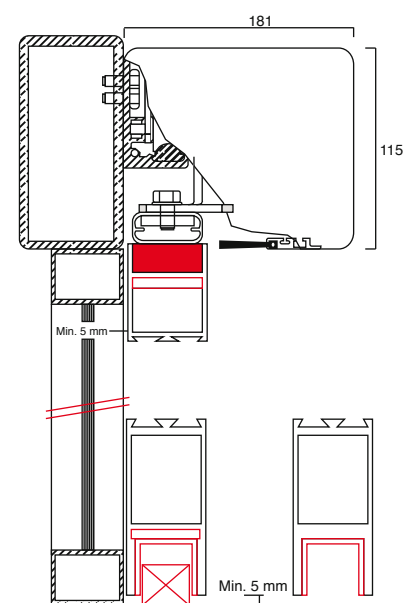


At 186mm high; The Telescopica will easily cope with weights of 120kgs for two leaves moving in one direction or 80kgs each for a four leafed, bi-parting entrance.

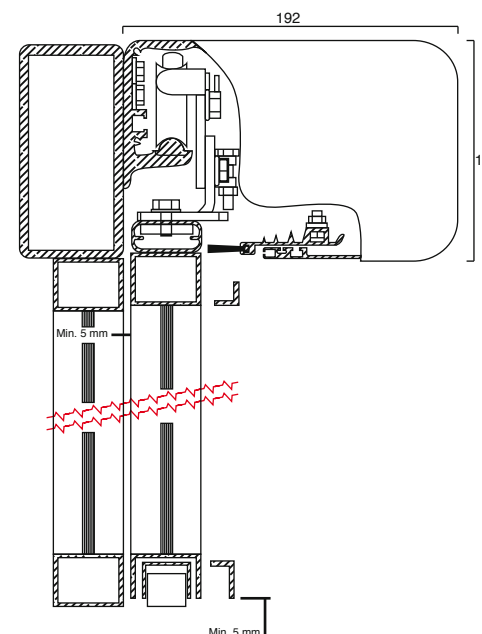
TECHNICAL SPECIFICATIONS

	MILLENNIUM	PRATIKA	PRATIKA PLUS	TELESCOPIA
NUMBER OF SLIDING DOORS	1 ÷ 2	1 ÷ 2	1 ÷ 2	2 ÷ 4
POWER SUPPLY	230V AC 50 Hz			
NOMINAL POWER	150 W	180 W	180 W	180 W
EXTERNAL DEVICE POWER	12V DC - 6W			
EMERGENCY BATTERY	24 V 1.2 Ah (for about 100 manoeuvres in the event of power failure)			
MAX OPENING SPEED	1 DOOR: 70 cm/s 2 DOOR: 140 cm/s	1 DOOR: 70 cm/s 2 DOOR: 140 cm/s	1 DOOR: 40 cm/s 2 DOOR: 80 cm/s	2 DOOR: 70 cm/s 4 DOOR: 140 cm/s
MAX CLOSING SPEED	70% OF OPENING SPEED			
MAX CAPACITY	1 DOOR: 120 Kg 2 DOOR: 2x80 Kg	1 DOOR: 160 Kg 2 DOOR: 2x120Kg	1 DOOR: 300Kg 2 DOOR: 2x160Kg	2 DOOR: 2x120Kg 4 DOOR: 4x80Kg
WING DIMENSIONS	1 DOOR: 700 ÷ 3000 mm 2 DOOR: 450 ÷ 1500 mm	1 DOOR: 700 ÷ 3000 mm 2 DOOR: 450 ÷ 1500 mm	1 DOOR: 800 ÷ 3000 mm 2 DOOR: 680 ÷ 1500 mm	2 DOOR: 450 ÷ 3000 mm 4 DOOR: 450 ÷ 1500 mm
WORKING TEMPERATURE	0°C ÷ +50°C (internal cross-piece)			
ANTI-CRUSHING	Automatic traction restriction in the presence of obstacles			
WEIGHT	8,5 kg/m	9,3 kg/m	10,5 kg/m	14,5 kg/m
SERVICE	Intensive			

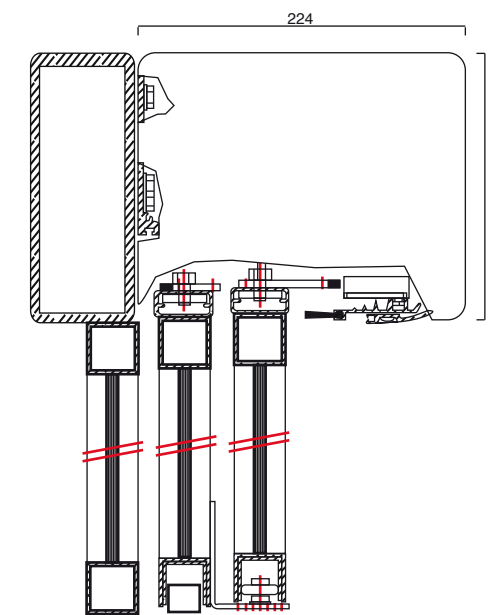
MILLENNIUM



PRATIKA



TELESCOPIA



ACCESSORIES

SELECTORS



SENSORS



TRIGGER DEVICES

