



The Virtual, Intelligent, Invisible fire door system



Why choose **ViiFire** Door

ViiFire Door removes the hassle of doors; designing, installing, maintaining, propping open and living with the inconvenience and danger of constantly opening them. ViiFire Doors improve the environment in which you live and work.

Don't compromise on safety; merely conceal it until needed, and with additional safety features like battery back-up, emergency power and controlled fail safe descent ViiFire Door will quietly and inconspicuously protect you 24 hours a day, 7 days a week leaving you with full peace of mind. The ViiFire Door can be retro-fitted and or designed and installed into new build projects creating the opportunity to rethink the design of your building internally.

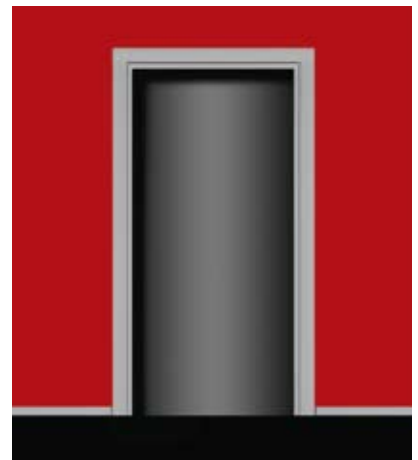
Standard fire door



ViiFire Door



ViiFire Door



Architectural Benefits

- Increases the scope of internal design possibilities
- Creates solutions for radical property development
- Maintains building fire & smoke integrity without compromise

Safety Improvements

- No risk of tripping, falling, snagging or trapping
- Removes risk of (in)advertent fire regulation infringement
- Improves internal visibility, for better security
- Reduces risk of infection transfer
- Resolves issues relating to building regulations for access to and use of buildings (Approved Document M)
- Supports Government initiative of Lifetime Homes

Fit For Purpose

- No requirement for specialist installers
- Plug and Play removed the need for electricians
- Can be retro fit or new build installed
- Designed to operate independently
- Can be integrated into existing fire alarm system
- Reduces installation time

Accreditations

BS EN 1634-1:2000
BS 476-22-8:1987
BS PAS 121:2007
BS EN 12101-1:2006
BS 7346-3:1990
BS 476-6:1989
BS 476-7:1997
BS 476-31.1:1983
ISO 9001:2000

Meets the 'self closing without power' fire safety requirement (Approved Document B)

ViiFire Door reduces the risk of bacterial infection and dirt transfer in heavy traffic areas.





The Virtual, Intelligent, Invisible fire door system

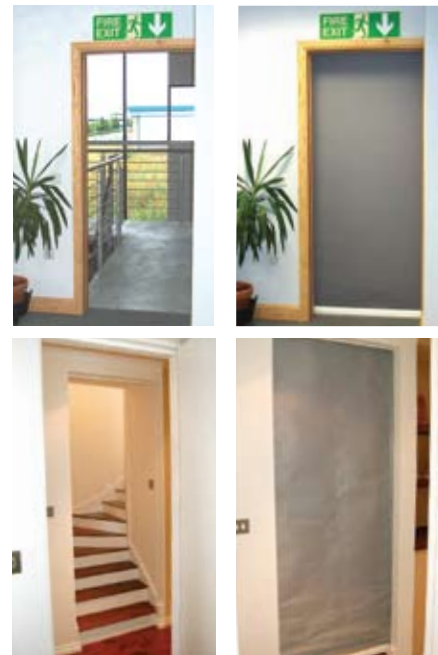
You'll never know its there until you need it!

The Coopers ViiFire Door is concealed neatly away out of sight enabling you to design, change and improve the internal environment of any building requiring fire doors whilst improving on safety. The ViiFire Door offers the first real alternative to conventional fire doors giving architects and owners the opportunity to open up and improve any internal space on many levels including functionality, decor and above all, life safety.

Introducing The ViiFire Door



The ViiFire Door is a neat compact fully automatic motorised roller system with a state of the art high temperature stainless steel reinforced curtain, tested up to 1000°C, concealed in a strong steel casing above your doorway or opening. It remains hidden but ready to work when you need it - in the event of fire. It is easy for a competent person to install and is the first and only 'plug and play' system.



Company Profile

Coopers invented and patented, the Gravity Fail Safe (GFS) Smoke and Fire Curtain, which has become the benchmark for most smoke and fire curtain systems sold today.

Coopers products have been specified and installed in most of the world's landmark buildings, Chek Lap Kok Airport, Hong Kong, Swiss Re (the Gherkin) London, Dubai International Airport and even Wembley Stadium.

Coopers have been heavily involved in the introduction of British and European Standards, including the very latest BSI PAS 121, the only definitive specification for Fire Curtains in the world. Coopers were the first to bring Smoke and Fire Curtains to the market with micronized aluminium fire resistant coatings now the industry standard and the first to introduce the 24 v dc variable speed drive system, with integral 24 v dc brake and regenerative dynamic braking. Now known, worldwide, as VarioSpeed, this very latest generation of systems, backed by over 25 years of experience, is the heart of the brand new Vii Fire Door. Coopers Fire is based in their new purpose built manufacturing plant in UK.

ViiFire Door's range of standard opening sizes accommodates most building needs however if you have a need for something special, a made-to-measure service is available. This will give you the opportunity to create a clear opening for corridors and communal areas. For installation, use Coopers trained approved ViiFire Installers, adding value to the overall package and your peace of mind.

ViiFire Door's wide range of safety accessories and upgrades are available to comply with the Building Regulations requirements. ViiFire Door will also give solutions where Building Regulation, Approved Documents B and M (England & Wales only) clash, where the demands of 'fire safety' conflict with 'access to and use of buildings'.

Made to Measure

Made to measure sizes and non standard colours are available upon request and lead times agreed at order confirmation

Fire Rating & Testing (Beware of Imitators)

ViiFire Door provides up to 2 hr FR (see 'Accreditations') and is a fully tested and 'Fit for Purpose' product. ViiFire Door can also offer Insulating Zone performance with the use of ViiFire Plus fabric. This performance is required by BS PAS 121:2007 for such applications as protecting Means of Escape and achieves radiated heat as low as 6 kW/m² after 60 minutes.

Please demand full proof of fire rating and testing. If you use the wrong product or compromise on testing you risk lives, you risk your insurance, you risk corporate or personal manslaughter and Building Control will require you to remove non-compliant systems and replace them with compliant systems.

For easy trouble free regular operation and testing ViiFire Door comes with its very own mini remote panel.



ViiFire Door allows for freedom of architectural design without compromising on life safety

Total Gravity Fail to Safe

In the event of mains power loss, total battery backup consumption and or system / wiring corruption, the ViiFire Door will fail to safe to a closed position with controlled descent. Mains power loss will be indicated by warning buzzer.

Alarm Integration

The ViiFire Door can be stand alone with its own dedicated smoke, heat or thermal fuse detectors or it can be integrated in to the main alarm system.

ViiFire Door can be programmed to descend fully or partially to enable escape and to provide immediate smoke protection.

Door Sizes

Clear Opening (typical fire door) sizes:

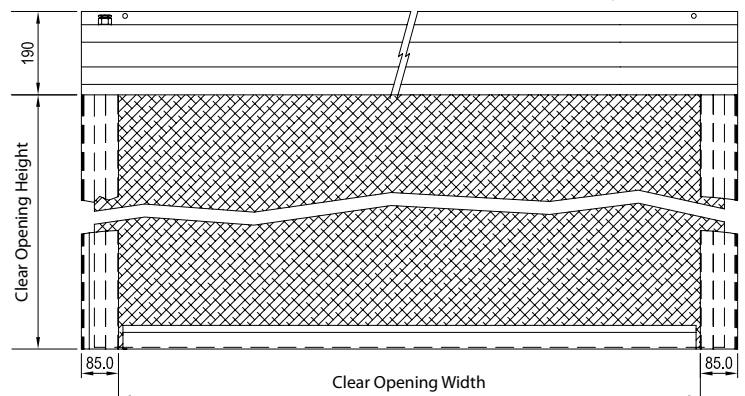
The **900 models** replaces typical existing popular stock door sizes of: 610, 626, 686, 726, 826 & 838 (mm)

The **1000 models** replaces stock door sizes of: 914 & 926 (mm)

The door sizes listed are popular standard Imperial and Metric timber fire door sizes. REMEMBER: ViiFire sizes are always for the clear opening sizes.

	900	1000	1500	2000	2500
2000	VFD90-20	VFD10-20	VFD15-20	VFD20-20	VFD25-20
2100	VFD90-21	VFD10-21	VFD15-21	VFD20-21	VFD25-21
2300	VFD92-23	VFD10-23	VFD15-23	VFD20-23	VFD25-23

See technical brochure for weights and unit sizes.





ViiFire Door improves light and air circulation in areas otherwise requiring additional lighting and air conditioning

Typical ViiFire Door System*

ViiFire Door is independently operational off the shelf, but has the facility to be fully integrated in to any alarm system. (Screws and cables included.)



Control box



Mini remote panel



Smoke detector



Standard retract button



Battery backup

System Options

Optional accessories are available to enhance and improve your ViiFire Door and offer a full comprehensive solution to the demands of legislation and Building Control. Bump stop and Obstruction detector are also available. These options are always accompanied by either the Audio / Visual beacon or the Voice warning unit.



Voice warning



Audio / Visual beacon



Heat sensor



Touch sensitive retract button

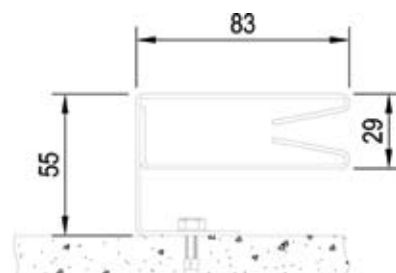
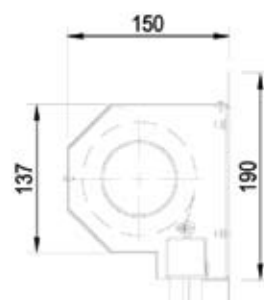
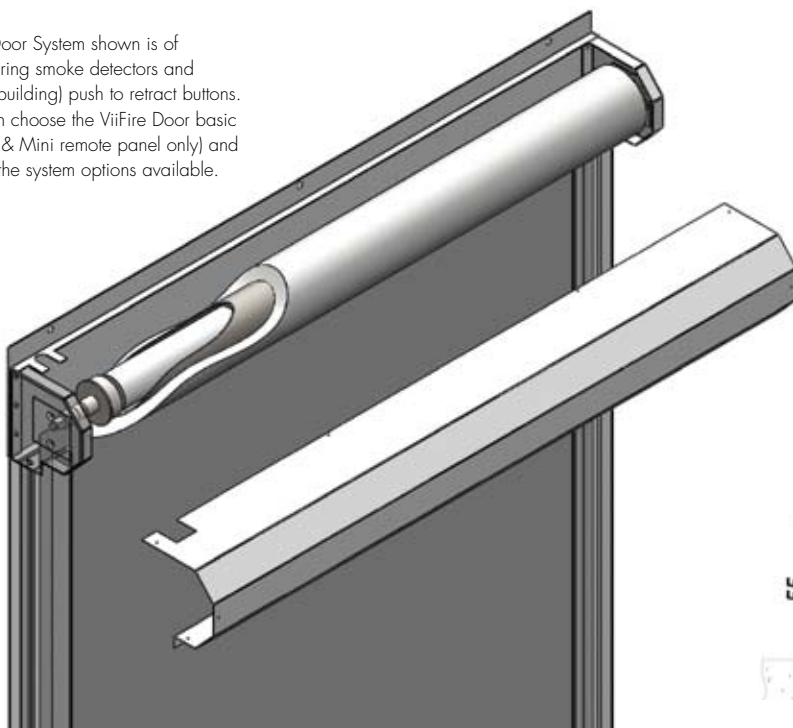


Residential retract button

Colour Options

The standard ViiFire Door colour is RAL 9010 however we can accommodate any listed RAL colour for an additional charge. The ViiFire Door is also available in Stainless Steel (Grade 316) and Zintec coating (subject to availability). The Zintec coating can be painted with any interior paint to match the surrounding decor providing a Zinc Phosphate Prima is used first.

*The Typical ViiFire Door System shown is of a specification featuring smoke detectors and commercial (public building) push to retract buttons. Alternatively you can choose the ViiFire Door basic system (Control box & Mini remote panel only) and also include any of the system options available.



FAQ's

- 1) **Q) Is the ViiFire Door covered by warranty?**
A) The ViiFire Door is covered by a standard 12 month (return to factory) warranty. Additional comprehensive 12 and 24 month on site cover is available (see price list) Contact ViiFire Maintain on +44 (0)2392 454405. Ext. 250 for details.
- 2) **Q) What are ViiFire Door's Warranties and Guarantees worth?**
A) All ViiFire Door's Warranties and Guarantees are supported by Coopers Fire Ltd. In addition Coopers has Public and Product liability of £10 million and Professional Indemnity of £5 million.
- 3) **Q) What maintenance does the ViiFire Door require?**
A) It is a legal requirement to regularly maintain all fire rated equipment. As the ViiFire Door is part of a life safety system and is connected to a fire alarm system there is an obligation under the Regulatory Reform (Fire Safety) Order 2005 to ensure testing is performed in accordance with BS5588-12. For details of our service and maintenance options contact ViiFire Maintain on +44 (0)2392 454405 Ext. 250.
- 4) **Q) How do I know when I need to replace the batteries and how long do they last?**
A) The standard manufacturers' warranty for batteries is 12 months, however they can last much longer. Batteries should be regularly checked on maintenance visits. The ViiFire Door will always default to its fire operational position in the event of battery failure, which is safe – but maybe inconvenient!. Instructions for maintenance are included however ViiFire Maintain also offer this service. For further details please contact ViiFire Maintain on +44 (0)2392 454405 Ext. 250.
- 5) **Q) Can I mount the side guides inside a reveal as well as on the face of an aperture?**
A) The standard ViiFire Door is designed to be face-fixed to an aperture. Coopers can offer alternative models if required - please contact ViiFire Technical for further advice on +44 (0)2392 454405 Ext. 248.
- 6) **Q) What happens if I have a mains power cut?**
A) Provided the unit is correctly installed following the fitting and installation instructions, the ViiFire Door will remain retracted for 30 minutes and then descend under Gravity Failsafe - or immediately following an alarm signal.
- 7) **Q) Is the ViiFire Door easy to connect - what do I need to provide?**
A) The ViiFire Door fire curtain unit is fully 'Plug and Play'. All cables are provided with snap connectors and power is via a standard factory fitted 230Vac 13A plug which must be connected to a dedicated supply. During this 30 minute period, the ViiFire Door can still be operated for a limited time (depending on the number of operations).
- 8) **Q) Do you provide an installation service?**
A) Yes - Installation can be provided by a Coopers Approved ViiFire Installer at a reasonable additional cost, please contact ViiFire Install on +44 (0)2392 454405 Ext. 226.
- 9) **Q) Can the unit be boxed in to blend in with my existing decor?**
A) Yes - providing any exterior surround should not impair the normal function of the ViiFire Door. Any custom made surround should be suitably fire rated - equivalent to the compartment and the product. For further details you should seek assistance from your local Building Surveyor at your local Building Control office. Consideration should also be made to access requirements for future maintenance.
- 10) **Q) Can the ViiFire Door be used in a domestic or residential environment?**
A) Yes - the ViiFire Door is a compact, lightweight and easy-to-fit unit, ideal for use in the home. Remember that all buildings outside of dwelling houses will be under the Regulatory Reform (Fire Safety) Order 2005. It would be advisable to check with your local Building Control Office.
- 11) **Q) Can I have my ViiFire Door unit in any colour?**
A) The standard finish is RAL white (9010) - other colours are available at additional cost (including (grade 316) stainless steel). We also offer Zintec coating (subject to availability) which allows for painting with emulsion paint to match the surrounding decor providing a Zinc Phosphate Prima is used first.
- 12) **Q) How will my ViiFire Door be delivered?**
A) In a special ViiFire Door branded box, complete with fittings, instructions etc.
- 13) **Q) How heavy is my ViiFire Door**
A) Normally you will need 2 people to lift and install a ViiFire Door safely. Refer to the chart for weights. Care should always be taken to refer to the Health and Safety Guidelines with regards to lifting.
- 14) **Q) How do I order a ViiFire Door?**
A) By visiting www.Viifire.co.uk or by contacting ViiFire Sales at Coopers on +44 (0)2392 454405 Ext. 248.

* ViiFire Door is fitted to the Spinnaker Tower, Portsmouth



Improve your view with ViiFire Door*

Coopers
Fire and Smoke Engineering

Coopers Fire Ltd, Edward House, Penner Road, Havant, Hampshire, PO9 1QZ United Kingdom.

Tel: +44(0) 23 9245 4405 Fax: +44 (0) 23 9249 2732 email: info@coopers-uk.com web: www.coopers-uk.com

