

FULL TANK

HYDRAULIC SWING OPERATOR FOR INDUSTRIAL APPLICATIONS REQUIRING CONTINUOUS OPERATION

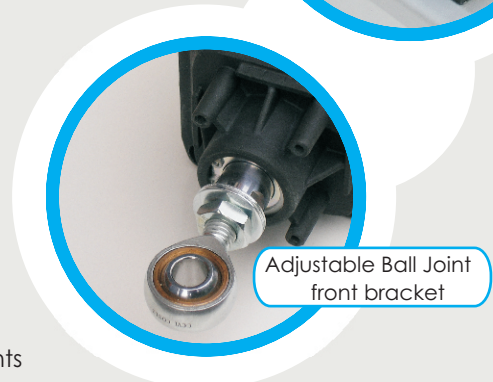
The power and reliability of a hydraulic system!

- Hydraulic swing operator for industrial use. Max. leaf length 7000 mm. Three pump versions to allow varying speeds for larger gates. Duty cycle of 70 operations per hour for continuously operated sites.
- Manual release with customised key for use in the event of power failure.
- **SEA TOTAL QUALITY:** All main components are manufactured and tested in-house ensuring the highest engineering standards.
- The electric motor and all operational components sit in an oil filled bath ensuring continuous lubrication and rapid cooling for all moving parts.
- Extremely quiet, extremely safe.
- Thermal overload built into the motor to provide the highest level of protection possible.
- Adjustable safety valves in both directions of travel to protect vehicles, the gate and even the automation equipment from excessive forces.



Robust, reliable, safe, silent and secure!

- Internal non return hydraulic lock valves provide a high strength locking system for gate leaves up to 2.2 Mtrs in length.
- On gate leaves in excess of 2200 mm. additional security can be provided by electro-magnetic or electro-mechanical locks providing the level of protection required for high security sites.
- Brass and stainless steel valves and components make the Full Tank operator one of the strongest Industrial gate operators available.
- The hydraulic system means that the Full Tank range of operators can operate large Industrial gates, cost effectively, without fault for many years to come.
- All constituent parts available for future repair and service requirements minimising costs over the life time of the equipment.
- 20 mm diameter solid metal piston rod available in 270 mm or 390 mm versions.
- Ball joint front bracket for flexibility and future gate adjustment.



**When quality matters make sure it's SEA
the engineers' choice!**

SEA (UK) Limited.
Unit 6A Olton Wharf, Solihull,
West Midlands, B92 7RN
Birmingham Tel: 0121 706 9629
Birmingham Fax: 0121 764 5603
London Tel: 020 8360 8022
London Fax: 020 8364 2516

sales@seauk Ltd.com
www.seauk Ltd.com
www.seateam.com

FULL TANK

Specifications

Full Tank 100 / 200

Supply Voltage	230Vac+5% 50/60Hz
Motor Power	220 W
Shaft Stroke	270 / 390 mm
Cycles Hour	70
Operating temperature	-20°C + 55°C
Operator Weight	12.8 / 15.2 Kg
Max leaf length	6.0 / 7.0 mtr
Opening Degrees	90° - 120°
Shaft Speed	1 cm/sec (1 ltr pump) - 1.5 cm/sec (1.5 ltr pump)
Protection class	IP55
Starting Capacitor	12.5 • uF
Max Pushing Force	640 daN

CONTROL BOARDS

Technical Specifications

Gate 1 (for 1 leaf)

- Management of a 230 Vac motor with or without limit switch
- Automatic logic (4 modes), semiautomatic and step by step.
- Electronic slow down in opening and closing.
- Motor run time and pause open time regulation.
- Self-learning operating time for gates with limit switches.
- Self-test on photocells.
- Self-diagnostic systems.
- Encoder management. (Safety Gate for swing gates)
- Diagnostic Leds on all outputs/inputs.
- Extractable connectors for ease of wiring.
- Integrated receiver compatible with radio transmitters SMART, HEADROLL and HEAD ECOPY series (800 users).

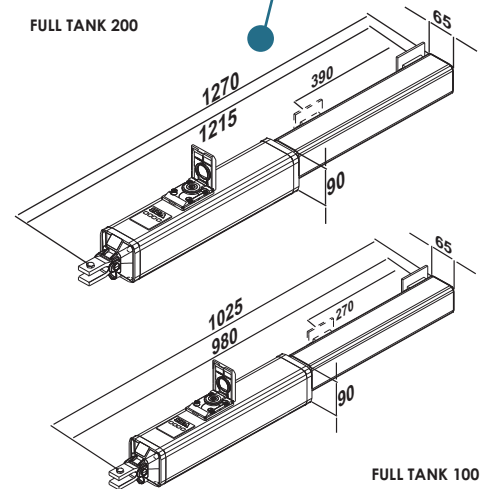
- Fully compatible with all SEA accessories.
- Compatible with most manufacturers of audio and video intercom equipment.
- Digital code pads.
- Card reader systems, stand alone and computer linked.
- Time clocks and hold open switches.
- Induction loop free entry, free exit and safety.
- Photocell free entry, free exit and safety.
- Patented rubber mechanical safety edges.
- Vehicle recognition systems.
- Biometric identification systems.

Gate 2 (for 2 leaves)

- Management of two 230 Vac motors with or without limit switch
- Four logic systems available semi-automatic, safety, step by step and standard automatic.
- Electronic slow down in opening and closing.
- Motor run time and pause open time regulation.
- Fully programmable leaf delay system in both opening and closing.
- Self-test on photocells
- Self-diagnostic systems.
- Encoder management. (Safety Gate for swing gates)
- Electric lock management.
- Diagnostic Leds on all outputs/inputs.
- Extractable connectors for ease of wiring.
- Integrated receiver compatible with radio transmitters SMART, HEAD ROLL and HEAD ECOPY series (800 users).
- Optional control devices:-
 - Three different safety inputs as standard.
 - Pedestrian gate input.
 - Diagnostic functions.
 - End of travel limits and safety encoder movement sensing.
 - Stop circuits and flashing light system.

- Fully compatible with all SEA accessories.
- Compatible with most manufacturers of audio and video intercom equipment.
- Digital code pads.
- Card reader systems, stand alone and computer linked.
- Time clocks and hold open switches.
- Induction loop free entry, free exit and safety.
- Photocell free entry, free exit and safety.
- Patented rubber mechanical safety edges.
- Vehicle recognition systems.
- Biometric identification systems.
- Electronic torque sensors for electromechanical operators.
- Compatible with most manufacturers automation.
- Optional display system.
 - Alphanumeric LCD display 2 lines of 16 letters.
 - Modify all program times.
 - 10 event safety system fault recording.
 - Customisation of logic functions.

Dimensions in (mm)



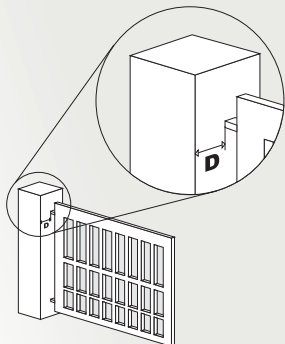
Accessories.

Loop detectors / Photocells / Key pads / Card readers / Transmitters & receivers/ Telephone entry systems / Audio and video intercom systems wireless and cabled.
Vehicle recognition systems / Biometric recognition systems / Patented rubber mechanical safety edge / Time locks / Hold open switches.

Gate 2 Control Panel

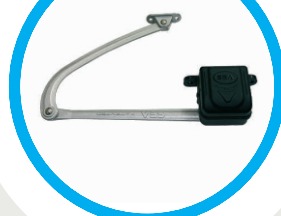


Model	Stroke	D Max	D Max Recommended
FT 100	270 mm	125 mm	75 mm
FT 200	390 mm	240 mm	130 mm



SAFETY GATE

SEA patented reversing system for swing gates.
Self learning movement sensor for additional safety.
EN 12453 & EN 12445 tested



Positive stops



Armoured photocell for sites where vandalism is a problem.