

EN 12453
EN 12445
COMPLIANT

GER

ELECTROMECHANICAL SWING GATE OPERATOR
IDEAL FOR AUTOMATING GATES WITH LARGE PIERS.

Max gate leaf length - 3000 mm
Max gate leaf weight - 400 kg

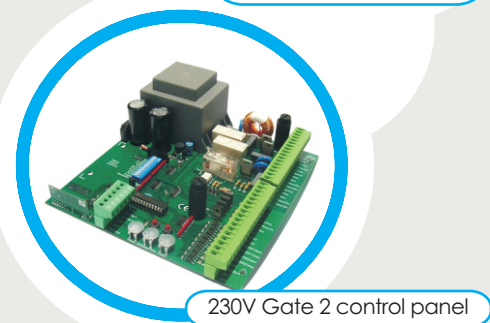
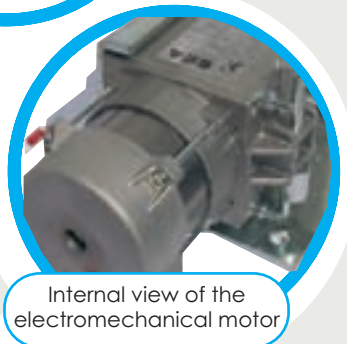
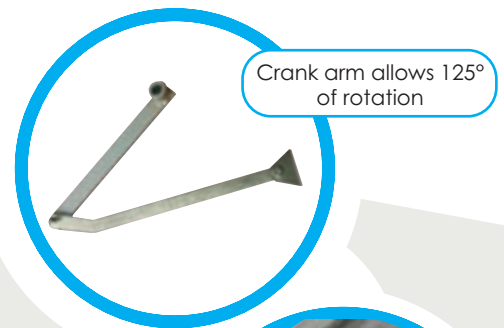


Features

- **Jointed steel arm** for added strength, designed to allow 125 degrees of rotation and installation on to large pillars / posts up to a 330 mm reach from the rear.
- **Manual release system** with customised key for use in the event of a power failure.
- **Electronic slow down** at both ends of travel for a smooth and safe operation.
- **One piece protective hood** protects the motor from the elements.
- **Adjustable electronic stops** in the open & close position available.

Advantages

- **Engineered** to a very high standard & tested in-house to ensure reliability & durability.
- **Locking gear box** provides a high level of security.
- **Fine sensitivity adjustment** for additional peace of mind.
- **Highest level of protection** provided by a thermal overload device built into the motor.
- **Designed for regular use** having a duty cycle of 15 operations per hour, managing the demands of a busy household.



**“Where quality matters, ask for
SEA - the Engineers’ choice!”**

SEA (UK) Limited

Midlands Head Office:-

Unit 6A Olton Wharf, SOLIHULL
West Midlands, B92 7RN
Tel: 0121 706 9629 / Fax: 0121 764 5603

London Trade Counter:-

1-4 Grange Mews,
Rear of 28 The Grangeway,
LONDON N21 2HG
Tel: 020 8360 8022 / Fax: 020 8364 2516

sales@seauktd.co.uk / www.seauktd.co.uk

GER

Specifications

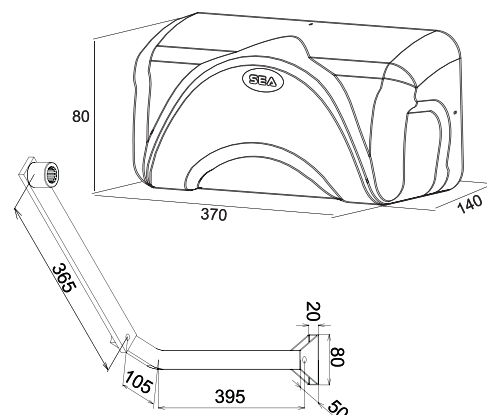
GER

| | |
|------------------------|------------------|
| Supply voltage | 230V +5% 50/60Hz |
| Motor power | 200W |
| Shaft stroke | n/a |
| Cycles per hour | 15 |
| Operating temperature | -20°C + 55°C |
| Operator weight | 11.5 kg |
| Max. leaf length | 3000 mm |
| Max. opening angle | 90° - 125° |
| Travel time for 90° | 12 sec |
| Protection class | Ip44 |
| Starting capacitor | 16 uF |
| Max. rotational torque | 56 daN |

CONTROL BOARD - Specifications
GATE 2 - 230V

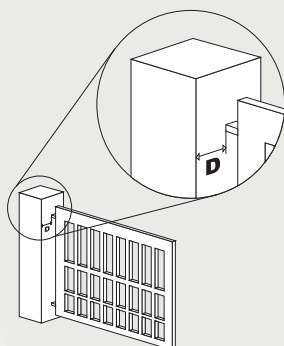
- Management of two 230V motors with or without limit switch
- Automatic logic (4 modes)
- Slow down in opening and closing
- Motor torque adjustment
- Self-learning operating times
- Auto-test on photocells
- Auto-diagnostic
- Rotation sensing by combining with patented Safety Gate
- Electric lock management
- Diagnostic LEDs on all outputs/inputs
- Extractable connectors
- Inbuilt radio control system for rolling code and Ecopy

GER Dimensions in mm


Accessories to Enhance your System:-

- Loop detectors
- Photocells
- Keypads
- Card readers
- Transmitters and receivers
- Telephone entry systems
- Audio and video intercom systems (*wireless and cabled*)
- Vehicle recognition systems
- Biometric identification systems
- Patented mechanical safety edges (*wireless and cabled*)
- Time clocks
- Hold open switches

| D Max | D Max Recommended |
|--------|-------------------|
| 330 mm | n/a |


SEA SAFETY GATE:-

Patented reversing system for swing gates with a self learning movement sensor for additional safety.
EN12453 & EN 12445 tested.


High Security Transmitter

Long Range

Solar Powered Photocells