

EN 12453  
EN 12445  
COMPLIANT

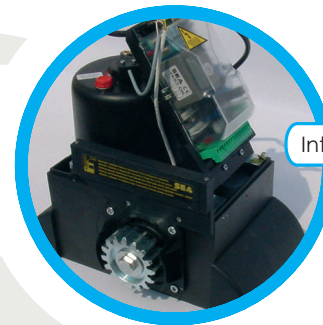
# LEPUS

800 / 800 Continuous  
1800 / 2000 Three-phase  
OIL-BATH SLIDING MOTOR FOR INDUSTRIAL  
APPLICATIONS. REQUIRING INTENSIVE OPERATION.



## Strong, safe and secure!

- Worm drive motor and gear box in an oil-bath for intensive use 800 kgs (Lepus 800), 1800 Kgs (Lepus 1800) and 2000 Kgs (Lepus 2000 Three-phase)
- **SEA TOTAL QUALITY:** All main components are manufactured and tested in house ensuring the highest engineering standards.
- Die-cast pressure injected aluminium main operator body and machined internal gears. (not cast)
- Dog clutch manual release protected by a lockable door for high security.
- Adjustable mechanical double - disc clutch for a sensitive anti-crush safety system.
- Motor rotation sensor connected to the slip clutch mechanism for a secondary electronic safety circuit further heightening safety levels.
- Electronic inductive limit switch supplied as standard with IP66 lever switch available.



Internal view



Secure manual release



Rotation sensor for safety

## Reliable, silent and robust!

- GATE 1 control unit mounted within the operator cover for ease of installation.
- Electronic slow down in opening and closing produces an accurate stop positioning system.
- Radio receiver included on the control panel as standard.
- Adjustable foundation plate in vertical and horizontal plains (optional).
- Continuously rated LEPUS 800 available to special order.
- External release mechanism via a secure box available.
- Pedestrian operation available as standard.

**When quality matters make sure it's SEA  
the engineers' choice!**

**SEA (UK) Limited.**  
Unit 6A Olton Wharf, Solihull,  
West Midlands, B92 7RN  
Birmingham Tel: 0121 706 9629  
Birmingham Fax: 0121 764 5603  
London Tel: 020 8360 8022  
London Fax: 020 8364 2516

sales@seauktd.com  
www.seauktd.com

## LEPUS 800 / 800 Continuous / 1800 / 2000 Three-Phase

Specifications

Lepus 800/800 Cont./1800/2000 Three-Phase

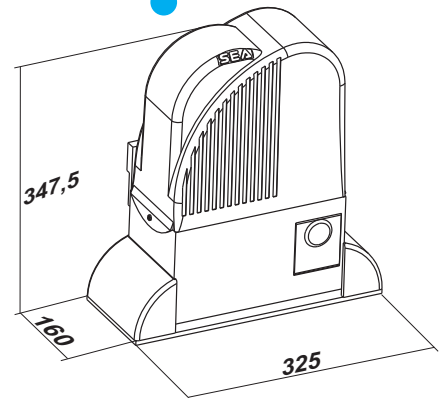
Supply Voltage	230Vac+5% 50/60Hz
Motor Power	330 / 330 / 450 / 450 W
Opening Speed	9.6 / 12 mtr/min
Frequency of use	60% / 90% / 60% / 75%
Max Torque	50 / 50 / 70 / 70 Nm
Operating temperature	-20°C + 55°C
Operator Weight	15.0 / 15.0/ 15.0 / 15.5 Kg
Max. gate weight	800 / 800 / 1800 / 2000 Kg
Anti-crushing clutch	Electronic and Mechanical
Protection class	IP55
Starting Capacitor	25 / 25 / 35 / - •uF
Limit switch	Inductive

**CONTROL BOARDS**  
Technical Specifications

Gate 1 (for 1 leaf)

- Management of a 230 Vac motor with or without limit switch.
- Automatic logic (4 modes), semiautomatic and step by step logics.
- Electronic slow down in opening and closing.
- Motor run time and pause open time regulation.
- Self-learning operating time for gates with limit switches.
- Self-test on photocells.
- Self-diagnostic system.
- Encoder management. (Safety Gate for swing gates)
- Diagnostic Leds on all outputs/inputs.
- Extractable connectors for ease of wiring.
- Integrated receiver compatible with radio transmitters SMART, HEADROLL and HEAD ECOPY series (800 users)
- Fully compatible with all SEA accessories.
- Compatible with most manufactures of audio and video intercom equipment.
- Digital code pads.
- Card reader systems, stand alone and computer linked.
- Time clocks and hold open switches.
- Induction loop free entry, free exit and safety.
- Photocell free entry, free exit and safety.
- Patented rubber mechanical safety edges.
- Vehicle recognition systems.
- Biometric identification systems.

Dimensions in (mm)  
LEPUS

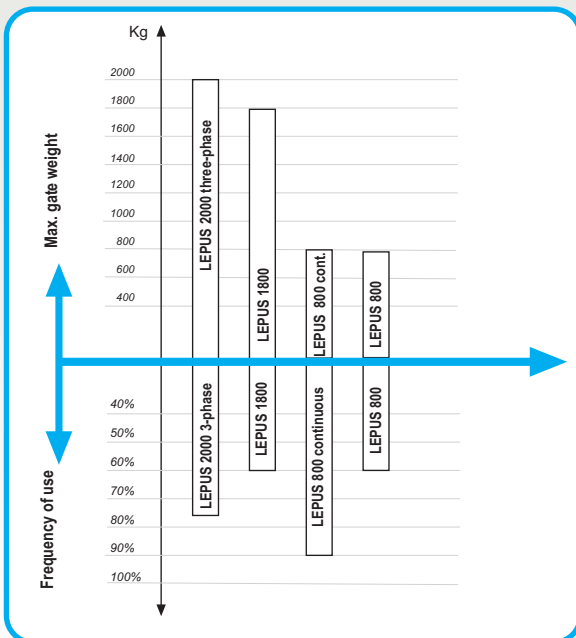


for Lepus 2000 Three-phase GATE1 Three-phase

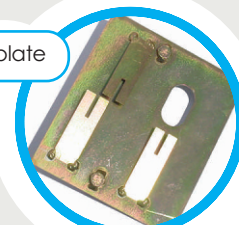
Accessories.

Loop detectors / Photocells / Key pads / Card readers / Transmitters & receivers/ Telephone entry systems / Audio and video intercom systems.

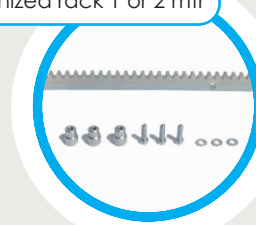
Vehicle recognition systems / Biometric recognition systems / Patented rubber mechanical safety edge / Time clocks / Hold open switches.



Adjustable foundation plate



Galvanized rack 1 or 2 mtr



External release kit

