

BULKHEADS

EDITION FOUR



Bulkheads



Bulkheads

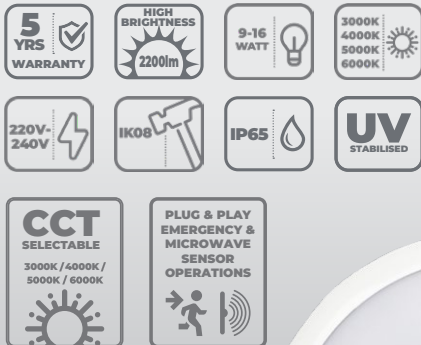
Our Bulkhead range offers durable, versatile solutions for indoor and outdoor use. With plug & play functionality, slim designs, and high-output options, the collection delivers efficient, reliable lighting for commercial, industrial, and residential environments.

Apollo 4CCT, Wattage Selectable, IP65, Plug & Play Bulkhead	04	Polo X Evolution 3CCT, Wattage Selectable, IP65, Plug & Play Bulkhead	06
Platinum High Output 3CCT 18W Bulkhead	08	Polo Combi Multi Trim, CCT & Wattage Selectable, IP65 Slim Bulkhead	10
Wilson X Evolution Slim Steel, CCT & Wattage Selectable, Plug & Play Bulkhead	12	Mini Wilson Slim Mini Steel, CCT & Wattage Selectable, Plug & Play Bulkhead	14
Guardian IK10+ Anti-Ligature Bulkhead	16	CCT Circular Gear Trays Plug & Play Multi-Fit LED Gear Tray	18
CCT Circular Mini Gear Trays Multi-Fit LED Gear Tray	20	Square Gear Trays Multi-Fit Led Gear Tray	22

APOLLO

4CCT, WATTAGE SELECTABLE, IP65, PLUG & PLAY BULKHEAD

Apollo bulkhead offers both economy and efficacy all in one! Featuring: high efficiency of 135lm/W, Selectable Power 9W/12W/16W, 4CCT, Plug & Play emergency kit and microwave sensor with corridor function. Apollo is suitable for indoor or outdoor applications with premium design features such as: matt textured bezel, opal diffuser, IP65 rating, side conduit entry and hinged gear tray with optional black, black eyelid or chrome bezels.



Features

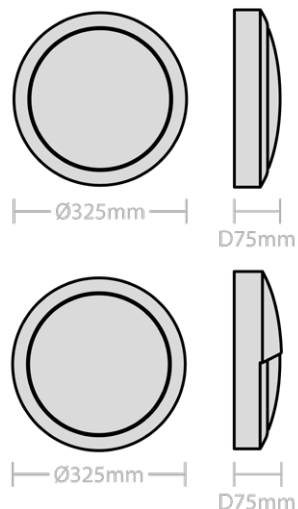
- Efficacy of 135lm/W
- Selectable Power 9W | 12W | 16W
- Selectable 4 CCT 3K | 4K | 5K | 6K
- Plug & Play emergency and microwave sensors
- Matt textured bezel (Black, Black Eyelid & Chrome options)
- IP65 / IK08 rating
- UV stable - perfect for both outdoor and indoor use
- Hinged Gear Tray & Side conduit entry
- Single or Contractor Pack (4pcs)



Specification

Material:	Polycarbonate
Colour Temperature:	3000K 4000K 5000K 6000K
Colour Finish	White RAL9003
CRI	Ra>80
LED Lifetime:	L80B10 113,000 Hours
IP Rating:	IP65
IK Rating:	IK08
Working Temperature:	-20°C to 45°C
Power Factor:	0.9
Emergency Battery Type:	LiFePO4
Electrical Class:	Class II
Warranty:	5 Years

Dimensions



Apollo + Apollo with Black Eyelid Accessory



Apollo + Apollo with Chrome Bezel Accessory



Apollo 4pc Contractor Pack

Product Code	Description	Wattage	Lumen Output	Colour Temp	Efficacy
APOL16W-CCT	Apollo Bulkhead Wht 9/12/16W 3CCT 3/4/6K	9W 12W 16W	1250lm 1620lm 2200lm	3000K 4000K 5000K 6000K	135 lm/w
APOL16W/4PK-CCT	Apollo Bulkhead Wht 4pc Contractor Pack 9/12/16W 3CCT 3/4/6K	9W 12W 16W	1250lm 1620lm 2200lm	3000K 4000K 5000K 6000K	135 lm/w

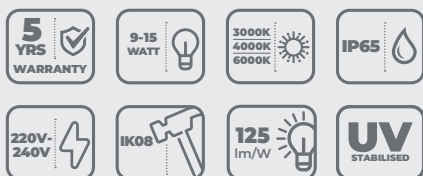
Apollo Accessories

Product Code	Description	Colour Finish
APOL/BLACK	Apollo Accessory Black Bezel	Black
APOL/BEYE	Apollo Accessory Black Eyelid	Black
APOL/CHROME	Apollo Accessory Chrome Bezel	Polished Chrome
APOL/KIT/MSCF or PLUG/MSCF	Plug and Play MS c/w Corridor Function	White RAL9003
APOL/KIT/EMST OR PLUG/BUL/EMST	Plug and Play 3Hr Selectable ST/M Emergency Kit	White RAL9003

POLO X EVOLUTION

3CCT, WATTAGE SELECTABLE,
IP65, PLUG & PLAY BULKHEAD

POLO X Evolution is the new, improved version of the popular POLO X range from Red Arrow. Featuring increased efficacy, Selectable Power and CCT, Plug & Play 3hr Self Test Emergency and Microwave sensor with corridor function, all housed within the popular POLO X design



Features

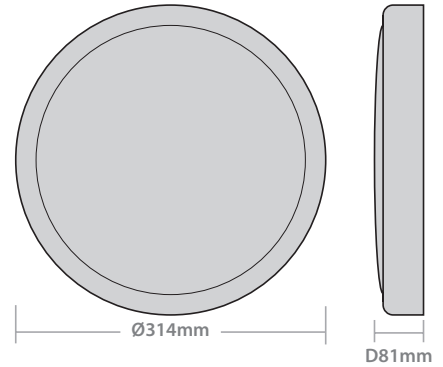
- White IP65 Body
- UV stable - perfect for both outdoor and indoor use
- Efficacy of 125lm/w
- Plug & Play 3hr Emergency & MSCF
- Selectable Power & CCT
- Sustainable replaceable gear tray with GTC range



Specification

Material:	Polycarbonate body & diffuser
Colour Temperature:	3000K 4000K 6000K Selectable
Colour Finish	White RAL9003
CRI	Ra>80
LED Lifetime:	50,000 Hrs
IP Rating:	IP65
IK Rating:	IK08
Emergency Battery Type:	LiFePO4
Working Temperature:	-20°C to 40°C
Power Factor:	0.9
Warranty:	5 Years

Dimensions



Product Code	Description	Colour Temperature	Wattage	Lumen Output	Emergency Lumen Output	Efficacy
POLX15EVO-CCT	Polo X EVO Bulkhead White 9-15W 3CCT 3/4/6K	3000K 4000K 6000K	9 11 13 15W Selectable	1050lm 1375lm 1625lm 1875lm	270 lm	125 lm/W

Polo X Evolution Accessories

Product Code	Description	Emergency Battery Type
PP/BULKIT/EMST	Bulkhead Plug and Play Emergency Kit	LiFePO4
PP/BULKIT/MSCF	Bulkhead Plug and Play Microwave Sensor with Corridor function	-

PLATINUM

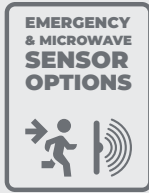
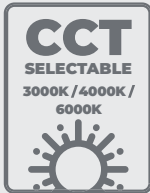
HIGH OUTPUT 18W BULKHEAD



Platinum is a premium designed high output bulkhead suitable for both indoor and outdoor applications. The Platinum is packed with features including: IP65, IK10, 3CCT selectable, multiple cable entry points (rear and side), and supplied with full white bezel as standard. Optional bezels, Self Test 3Hr emergency and microwave version available.

Features

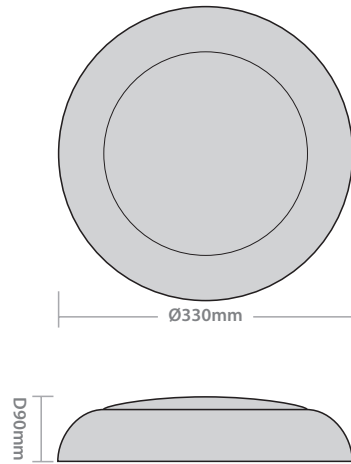
- Premium design
- Robust IP65 & IK10 Rated
- UV stable - perfect for both outdoor and indoor use
- 3CCT as standard
- High Output 2100 lm
- Efficacy of 117 lm/W
- Fast fix gear tray
- Self Test 3Hr Emergency and microwave sensor options available
- Multiple cable entry points (side and rear)



Specification

Material:	Body - ABS, Diffuser - Polycarbonate
Colour Temperature:	3000K 4000K 6000K Selectable
Colour Finish	White RAL9003
CRI	Ra>80
LED Lifetime:	L70 B50 150,000 Hrs
IP Rating:	IP65
IK Rating:	IK10
Working Temperature:	-20°C to +45°C (Emergency versions 0°C to 40°C)
Power Factor:	0.9
Emergency Battery Type:	LifePO4
Electrical Class:	Class II
Warranty:	5 Years (Emergency batteries 3 year)

Dimensions



Product Code	Description	Wattage	Lumen Output	Colour Temp	Efficacy
PLT18/CCT/WB	Platinum HO Bulkhead White Bezel	18W	2100 lm	3000K 4000K 6000K	117 lm/W
PLT18/CCT/EM/WB	Platinum HO Bulkhead c/w 3Hr Emergency White Bezel	18W	2100 lm	3000K 4000K 6000K	117 lm/W
PLT18/CCT/MS/WB	Platinum HO Bulkhead c/w Microwave Sensor White Bezel	18W	2100 lm	3000K 4000K 6000K	117 lm/W
PLT18/CCT/EM/MS/WB	Platinum HO Bulkhead c/w 3Hr Emergency & Microwave Sensor White Bezel	18W	2100 lm	3000K 4000K 6000K	117 lm/W

Platinum Accessories

Product Code	Description
PLT18/BBEZ	Platinum Accessory Black Bezel
PLT18/WEYE	Platinum Accessory White Eyelid
PLT18/BEYE	Platinum Accessory Black Eyelid

POLO COMBI

MULTI TRIM, CCT & WATTAGE SELECTABLE,
IP65 SLIM BULKHEAD

Polo Combi is the perfect solution for virtually any application. Every product features multi-wattage and multi CCT selection for versatility. Every fitting is supplied with a choice of trims, including a white and black eyelid bezel. With the addition of Emergency and Microwave Sensor versions, the Polo Combi is the only bulkhead you need to stock to cover virtually every project.



Features

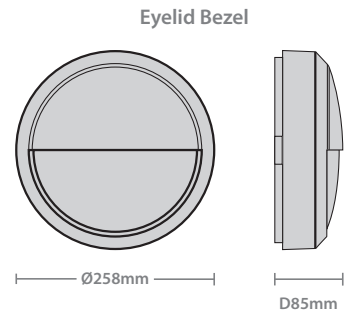
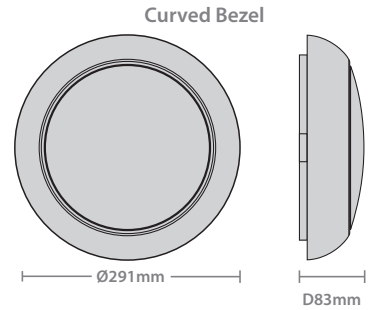
- Configurable in 36 different ways
- Multi Wattage - Choose the light output
- Multi CCT - Choose warm white, cool white or daylight LED colour
- Multi Trim - Curved bezel, eyelid trim or use without trim.
- IP65 and UV stable - perfect for both outdoor and indoor use
- BESA and conduit entries
- Optional microwave sensor and emergency options



Specification

Material:	Body: ABS (EM Polycarbonate) Diffuser: Polycarbonate
Colour Temperature:	3000K 4000K 6500K Selectable
Colour Finish	White RAL9003, Eyelid Black RAL9005
CRI	Ra>80
LED Lifetime:	L70B50 > 54000 Hrs
IP Rating:	IP65
IK Rating:	IK08
Working Temperature:	-20°C to 40°C (Emergency versions 5°C to 40°C)
Power Factor:	0.7 / 0.8 / 0.9
Emergency Battery Type:	LiFePO4
Electrical Class:	Class II
Warranty:	5 Years

Dimensions



Product Code	Description	Sensor Type	Wattage	Lumen Output	Emergency Lumen Output	Efficacy
PCB13-CCT	Polo Combi Bulkhead	-	8W 9W 12W 13W	875lm 963lm 1284lm 1395lm all @4000K	-	107 lm/W
PCB13E-CCT	Polo Combi c/w 3HR Emergency	-	8W 9W 12W 13W		145 lm	107 lm/W
PCB13/MS-CCT	Polo Combi	Microwave	8W 9W 12W 13W		-	107 lm/W
PCB13E/MS-CCT	Polo Combi c/w 3HR Emergency	Microwave	8W 9W 12W 13W		145 lm	107 lm/W

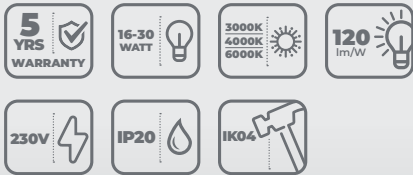
WILSON X EVOLUTION

SLIM STEEL, CCT & WATTAGE SELECTABLE,
PLUG & PLAY BULKHEAD

Wilson X EVO is the next generation of the popular Wilson X bulkhead. The new steel profile base allows for side and top conduit entry points, now compatible with Red Arrow Plug & Play Emergency and Microwave sensor. Featuring power selectable up to 30W, efficacy of 120lm/w, and selectable CCT. Ideal for all high output applications including stairwells and circulation areas. The Wilson X Evolution is perfect for pairing with the Mini Wilson.

Features

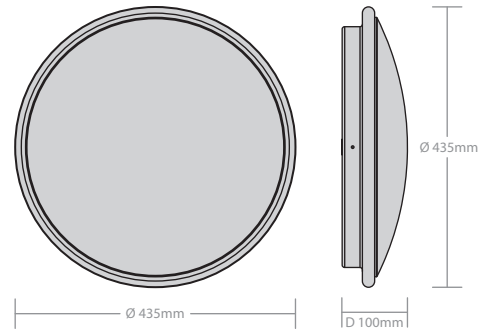
- Slim profile with 4 side/top conduit entry points
- Efficacy of 120lm/W
- Selectable Power from 16 to 30W
- Selectable CCT
- Compatible with Plug & Play Emergency & Microwave sensor with corridor function



Specification

Material:	Body: Steel Diffuser: Polycarbonate
Colour Temperature:	3000K 4000K 6000K Selectable
Colour Finish	White RAL9010
CRI	Ra>80
LED Lifetime:	LB80B50 40,000 Hrs
IP Rating:	IP20
IK Rating:	IK04
Working Temperature:	-20°C to 40°C
Power Factor:	>0.9
Warranty:	5 Years

Dimensions



Wilson X Evolution

Product Code	Description	Wattage	Lumen Output	Emergency Lumen Output	Efficacy
WLX30EVO-CCT	Wilson X Evolution Slim Bulkhead White 16-30W 3CCT 3/4/6K	16W 21W 25W 30W	2000lm 2520lm 3000lm 3600lm	250 lm	120 lm/W

Wilson X Evolution Accessories

Product Code	Description	Emergency Battery Type
PP/BULKIT/EMST	Bulkhead Plug and Play Emergency Kit	LiFePO4
PP/BULKIT/MSCF	Bulkhead Plug and Play Microwave Sensor with Corridor function	-
WLX30EVO/B	Wilson Accessory Black Bezel	-
WLX30EVO/C	Wilson Accessory Chrome Bezel	-

Wilson X Evolution V2

Product Code	Description	Wattage	Lumen Output	Emergency Lumen Output	Efficacy
WLX30EVO-CCT-V2	Wilson X Evolution Slim Bulkhead White 16-30W 3CCT 3/4/6K	16W 21W 25W 30W	2000lm 2520lm 3000lm 3600lm	250 lm	120 lm/W

Wilson X Evolution V2 Accessories

Product Code	Description	Emergency Battery Type
PLUG/BUL/EMST	Plug and Play 3Hr Selectable ST/M Emergency Kit	LiFePO4
PLUG/MSCF	Plug and Play MS c/w Corridor Function	-
WLX30EVO/B	Wilson Accessory Black Bezel	-
WLX30EVO/C	Wilson Accessory Chrome Bezel	-

MINI WILSON

SLIM MINI STEEL, CCT & WATTAGE SELECTABLE, PLUG & PLAY BULKHEAD

Introducing the Mini Wilson - the compact evolution of our best-selling Wilson X bulkhead. Crafted with a sleek steel body and discreet side conduit entry points, the Mini Wilson delivers outstanding performance with an enhanced efficacy of 120lm/W. Featuring selectable power and colour temperature, it's also fully compatible with Plug & Play Emergency and Microwave Sensor Kits. Perfectly designed for stairwells and circulation areas, the Mini Wilson offers flexibility, reliability, and modern efficiency in a slim, stylish profile.

Features

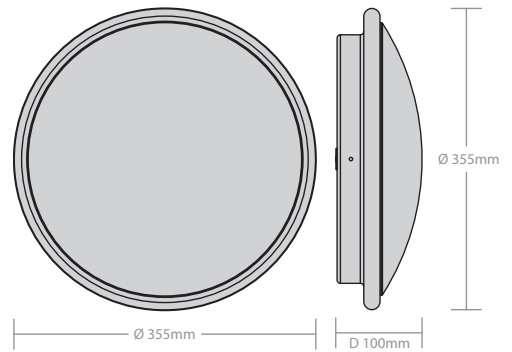
- Slim profile with side conduit entry
- Selectable Power & CCT
- High Lumen output 2300 lm
- Compatible with Plug & Play Emergency and Microwave Sensors with corridor function



Specification

Material:	Body: Steel Diffuser: Polycarbonate
Colour Temperature:	3000K 4000K 6000K
Colour Finish	White RAL9010
CRI	Ra>80
LED Lifetime:	LB80B50 50,000 Hrs
IP Rating:	IP20
IK Rating:	IK06
Working Temperature:	-20°C to 40°C
Power Factor:	0.9
Warranty:	5 Years

Dimensions



Mini Wilson

Product Code	Description	Wattage	Lumen Output	Emergency Lumen Output	Efficacy
MWL18-CCT	Slim Bulkhead White/Opal 3CCT 3/4/6K	8W 12W 16W 19W	1000lm 1440lm 1920lm 2300lm	250 lm	120 lm/W

Mini Wilson Accessories

Product Code	Description	Wattage	Product Type	Emergency Battery Type
PP/BULKIT/EMST	Bulkhead Plug & Play Emergency Kit	1.5W	Plug & Play Emergency Kit	LiFePO4
PP/BULKIT/MSCF	Plug & Play Microwave Sensor with Corridor Function	-	Microwave Sensor	-
PP/BULKIT/BATTERY	Replacement Battery for PP/BULKIT/EMST	-	Replacement Battery	LiFePO4

Mini Wilson V2

Product Code	Description	Wattage	Lumen Output	Emergency Lumen Output	Efficacy
MWL18-CCT-V2	Slim Bulkhead White/Opal 8-19W 3CCT 3/4/6K	8W 12W 16W 19W	1000lm 1440lm 1920lm 2300lm	250 lm	120 lm/W

Mini Wilson V2 Accessories

Product Code	Description	Emergency Battery Type
PLUG/BUL/EMST	Plug and Play 3Hr Selectable ST/M Emergency Kit	LiFePO4
PLUG/MSCF	Plug and Play MS c/w Corridor Function	-

GUARDIAN

IK10+ ANTI-LIGATURE BULKHEAD

Guardian is a robust IK10+ ligature resistant bulkhead designed with a modern aesthetic specifically for secure environments, such as mental health areas and custodial applications. The fitting comprises a high strength steel body, single piece impact resistant polycarbonate diffuser. Supplied with selectable colour temperature and optional 3hr Self-Test and microwave sensor.

Features

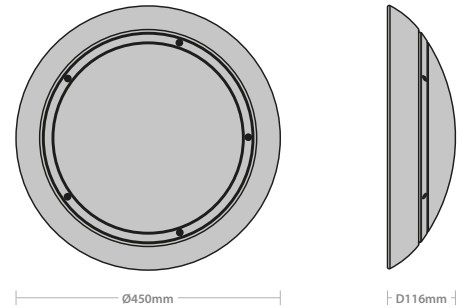
- Steel base with polycarbonate diffuser
- Security A2 centre pin diffuser fixings
- Integral 3W night light (GLR18 & GLRE Only)
- 3hr Self-Test Emergency & Microwave sensor
- DALI Conversions available



Specification

Material:	High strength Steel (Cover - Polycarbonate)
Colour Temperature:	3000K 4000K Selectable
Colour Finish	White RAL9003
CRI	Ra>80
LED Lifetime:	L70B50 50,000 Hrs
IP Rating:	IP65
IK Rating:	IK10+
Emergency Battery Type:	LiFePO4
Working Temperature:	-10°C to 40°C (Emergency versions 0°C to 40°C)
Power Factor:	0.9
Warranty:	5 Years

Dimensions



Product Code	Description	Colour Temperature	Wattage	Lumen Output	Emergency Lumen Output	Efficacy
GLR18-CCT	Guardian 18W Bulkhead c/w night light	3000K 4000K	18W	2050 lm	-	113 lm/W
GLR18E-CCT	Guardian 18W Bulkhead c/w night light & 3hr ST Emergency	3000K 4000K	18W	2050 lm	200 lm	113 lm/W
GLR18/MSCF-CCT	Guardian 18W Bulkhead c/w MS & 3hr ST Emergency	3000K 4000K	18W	2050 lm	-	113 lm/W
GLR18E/MSCF-CCT	Guardian 18W Bulkhead c/w MSCF & 3hr ST Emergency	3000K 4000K	18W	2050 lm	200 lm	113 lm/W

CCT CIRCULAR GEAR TRAYS

PLUG & PLAY MULTI-FIT LED GEAR TRAY

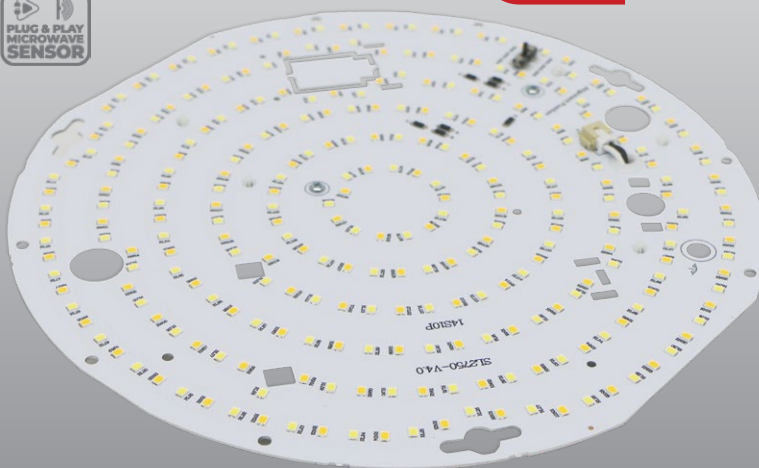
Latest generation Aluminium retrofit gear trays, designed for quick and easy replacement of old LED or 2D lamps.

Featuring improved efficacy, selectable power, selectable CCT and compatible with Red Arrows Plug & Play 3 hour Emergency and Microwave sensors.

Suitable for POLO X, Robust empty bodies and a wide range of legacy bulkhead housings (Subject to fixing centres and internal volume)

Features

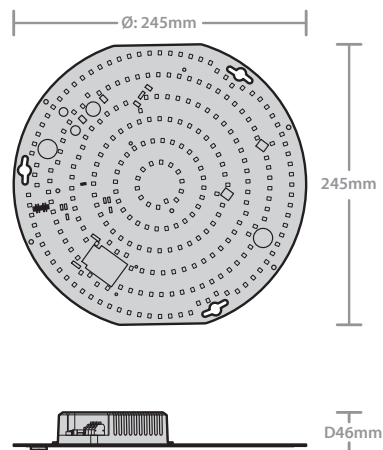
- Efficacy of up to 166 lm/W
- Selectable Power & CCT
- Plug & Play Emergency & microwave sensor
- Designed for **POLO X** and **Robust** empty body circular bulkhead fittings
- Suitable replacement for a wide range of proprietary bulkheads including 2D lamp, subject to fixing centres and thermal considerations



Specification

Material:	Phenolic Resin
Colour Temperature:	3000K 4000K 6000K Selectable
CRI	Ra>80
LED Lifetime:	L80B50 40,000 Hrs
Electrical Class	Class II
Working Temperature:	-20°C to 40°C
Power Factor:	>0.8
Warranty:	5 Years

Dimensions



CCT GTC Geartrays

Product Code	Description	Wattage	Lumen Output	Emergency Lumen Output	Efficacy
GTC15EVO-CCT	Circular Gear Tray 3CCT 3/4/6K Plug & Play	9W 11W 13W 15W	1500lm 1826lm 2158lm 2570lm	-	166 lm/W
GTC18EVO-CCT	Circular Gear Tray 3CCT 3/4/6K Plug & Play	9W 14W 18W	1500lm 2158lm 3000lm	-	166 lm/W

CCT GTC Accessories

Product Code	Description	Wattage	Product Type	Emergency Battery Type
PP/BULKIT/EMST	Bulkhead Plug & Play Emergency Kit	1.5W	Plug & Play Emergency Kit	LiFePO4
PP/BULKIT/MSCF	Plug & Play Microwave Sensor with Corridor Function	-	Microwave Sensor	-
PP/BULKIT/BATTERY	Replacement Battery for PP/BULKIT/EMST	-	Replacement Battery	LiFePO4

CCT GTC V2 Geartrays

Product Code	Description	Wattage	Lumen Output	Emergency Lumen Output	Efficacy
GTC15EVO-CCT-V2	Circular Gear Tray 9/11/13/15W 3CCT 3/4/6K Plug & Play	9W 11W 13W 15W	1500lm 1826lm 2158lm 2570lm	-	166 lm/W
GTC18EVO-CCT-V2	Circular Gear Tray 9/14/18W 3CCT 3/4/6K Plug & Play	9W 14W 18W	1500lm 2158lm 3000lm	-	166 lm/W

CCT GTC V2 Accessories

Product Code	Description	Emergency Battery Type
PLUG/BUL/EMST	Plug and Play 3Hr Selectable ST/M Emergency Kit	LiFePO4
PLUG/MSCF	Plug and Play MS c/w Corridor Function	-

CCT CIRCULAR MINI GEAR TRAY

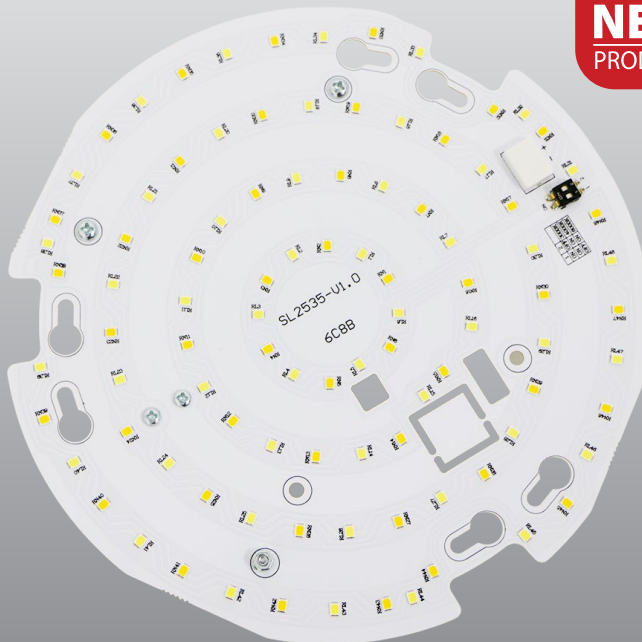
MULTI-FIT LED GEAR TRAY

High quality LED Gear Trays, suitable for use with Robust Mini empty bodies and also with a wide range of legacy bulkhead housings (subject to fixing centres and internal volume).



Features

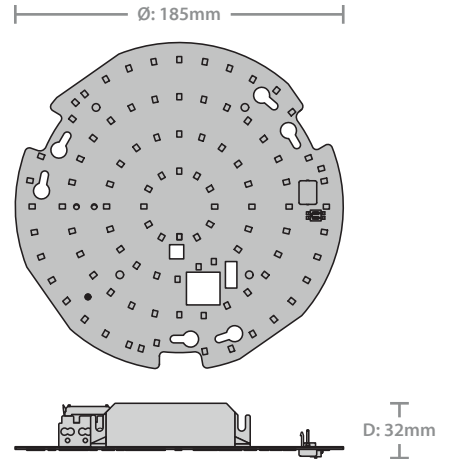
- Improved efficacy of up to 155 lm/W
- Small 7W Circular gear tray perfect for smaller bulkheads such as Robust Mini, now with selectable 3CCT.
- Fitted with integral LED driver
- Designed for Robust Mini empty body circular bulkhead fittings, small 185mm Diameter
- Also suitable as a replacement tray for a wide range of other proprietary bulkhead luminaires including 2D lamp, subject to fixing centres and thermal considerations



Specification

Material:	Phenolic Resin
Colour Temperature:	3000K 4000K 6000K Selectable
CRI	Ra>80
LED Lifetime:	L70B50 50,000 Hours
Electrical Class	Class II
Working Temperature:	-20°C to 40°C
Power Factor:	>0.5
Warranty:	5 Years

Dimensions



Product Code	Description	Wattage	Lumen Output	Efficacy
GTC7-CCT	Circular Gear Tray 7W 3CCT 3/4/6K	7W	1095lm	155 lm/W

CCT Circular Mini Gear Tray Accessories

Product Code	Description	Base Colour	Dimensions
RBMR/W	Robust Mini Circular Bulkhead Body (Use GTC8-40)	White	Ø: 202 x D: 85mm



RBMR/W



SQUARE GEAR TRAYS

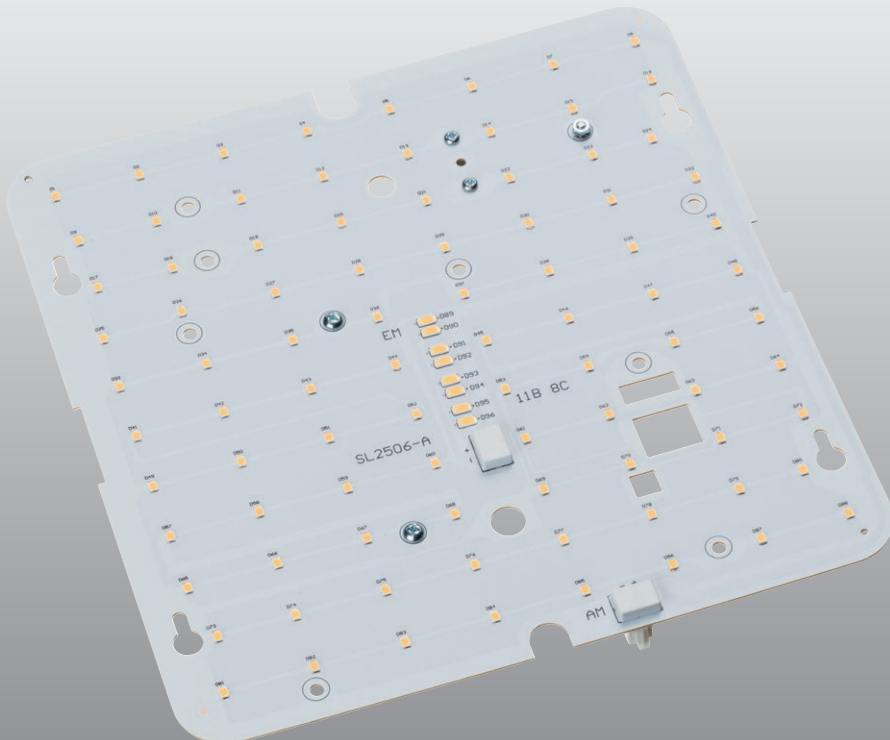
MULTI-FIT LED GEAR TRAYS

High quality LED Gear Trays suitable for use with Robust empty bodies and also with a wide range of legacy square bulkhead housings (subject to fixing centres and internal volume).



Features

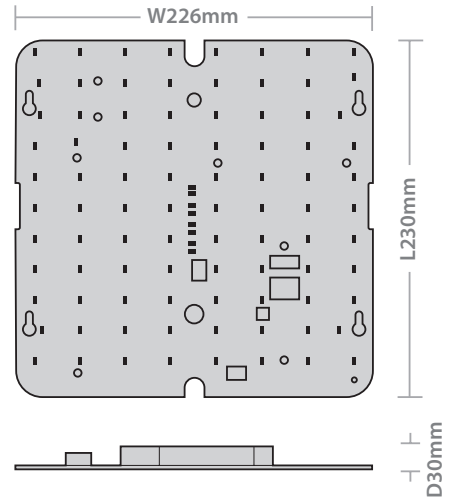
- Improved efficacy of 138 lm/W
- Emergency & microwave sensor options available
- Fitted with integral LED driver
- Designed for Robust square, empty body bulkhead fittings
- Also suitable as a replacement tray for a wide range of other proprietary square bulkhead luminaires including 2D lamp, subject to fixing centres and thermal considerations



Specification

Material:	Phenolic Resin
Colour Temperature:	3500K
CRI	Ra>80
Life Expectancy:	L80B50 40,000 Hrs
Emergency Battery Type:	LiFePO4
Working Temperature:	-20°C to 40°C (Emergency version 0°C to 40°C)
Power Factor:	0.75 / 0.8 / 0.85 / 0.9
Warranty:	5 Years

Dimensions



Product Code	Description	Wattage	Lumen Output	Emergency Lumen Output	Efficacy
GTS13-35	Square Gear Tray 13W 3500K	13W	1800 lm	-	138 lm/W
GTS13E-35	Square Gear Tray 13W 3500K c/w 3Hr Emergency	13W	1800 lm	190 lm	138 lm/W
GTS13/MS-35	Square Gear Tray 13W 3500K c/w M/W Sensor	13W	1800 lm	-	138 lm/W
GTS13E/MS-35	Square Gear Tray 13W 3500K c/w M/W Sensor & 3Hr Emergency	13W	1800 lm	190 lm	138 lm/W

Square Gear Tray Accessories

Product Code	Description	Base Colour	Dimensions
RBS/B	Robust Square Bulkhead Body (Use GTS13 Trays)	Black	L: 256 x W: 256 x D: 91mm
RBS/W	Robust Square Bulkhead Body (Use GTS13 Trays)	White	L: 256 x W: 256 x D: 91mm



RBS/W



RBS/B



UP TO £1,000 OFF*

Red Arrow Electrical Ltd,
Cortonwood Drive, Brampton,
Barnsley, S73 0UF.

Call us 0114 279 8999
sales@redarrowelectrical.co.uk

*Terms & Conditions – Save up to £1,000 on an
online order

