

SITE LIGHTING

EDITION FOUR



Site Lighting



Site Lighting

Our Site Lighting range offers robust, portable solutions built for tough environments. From floodlights and tower lights to bulkheads, festoons, and task lighting, each product ensures safe, reliable illumination for construction and industrial sites.

| | | | |
|---|-----------|--|-----------|
| 360° Towerlight High Output Directional Open Area Flood Light | 04 | Jupiter High Efficiency Dual Voltage Floodlights | 06 |
| Astra Dual Voltage Floodlights | 08 | Comet Site Slim 110V Floodlights | 10 |
| Connectable Festoon Kits 110V Extendable Festoons & Emergency Pack | 12 | 110v Bulkhead & Twin Spot 110V Emergency | 14 |
| Weatherguard Site IP65 Non-Corrosive Fittings | 18 | Weatherguard Site Eco Motion IP65 Non-Corrosive Fittings c/w Integrated Microwave Sensor | 20 |
| Weatherguard Site Plug & Coupler IP65 Non-Corrosive Fittings c/w 1m Flex, Plug & Coupler | 22 | Weatherguard Site Flex & Junction Box IP65 Non-Corrosive Fittings c/w Flex & Junction Box | 24 |
| Weatherguard Site Tripod Head IP65 Non-Corrosive Fittings c/w Tripod Heads & Tripod | 26 | Weatherguard Site A-Frame IP65 Non-Corrosive Fittings c/w Plaster's A-Frame | 28 |
| Taurus Site Dual Voltage Site Bulkheads Standalone or with Flex, Junction Box & Mounting Bracket | 30 | Garrison Pro Hand Held And Tripod Work Lights | 32 |
| ST20 110V Portable Task Light | 34 | Krypton Pro Rechargeable Floodlights | 36 |
| Uplight & Globe Light 360° Workspace Lighting | 38 | 110V Power Drop 1 X 16A Plug & 20 X16A Couplers | 42 |
| Transformers Portable Site Transformers | 44 | 110V Accessories Splitter Box, Cable Reels, Extension Leads, 110V Safety Device & Couplers | 46 |

360° Towerlight

HIGH OUTPUT DIRECTIONAL OPEN AREA FLOODLIGHT

This robust, innovative, 110V floodlight features a high lumen output of 84,000lm and 360° light distribution. The Towerlight also can be linked to two additional heads for extra coverage, making it an incredibly efficient solution for site lighting.



ADJUSTABLE UP TO 3 METERS

Features

- High light output, ideal for large spaces
- Provided with IP67 locking plug for interlinking two additional towerlights for extra coverage
- 300W (3 Head) version available as special order
- Average 20 lux over 2800 m² based on a deployed height of 3m
- Adjustable for both 180° and 360° degree light distribution
- High brightness of 84000 lm
- Convenient carry bag
- Tripod adjustable to 3 metres
- 10m rubber power cable
- Supplied with inline dimmer and on/off switch as standard
- Integrated photocell with on/off switch for automatic operation



1800 mm
AT MAX HEIGHT

Specification

| | |
|-----------------------------|------------------|
| Material: | Aluminium, PC |
| Colour Temperature: | 6500K |
| Colour Finish: | Yellow |
| CRI | Ra>80 |
| IP Rating: | IP65 |
| IK Rating: | IK10 |
| Working Temperature: | -20°C to 45°C |
| Tripod Height | 3 Metres |
| Power Cable: | 10m Rubber Cable |
| Lamphead Lumens: | 84,000 lm |
| Warranty: | 3 Years |



360° Towerlight Folded



3 Head Version - Available for special order



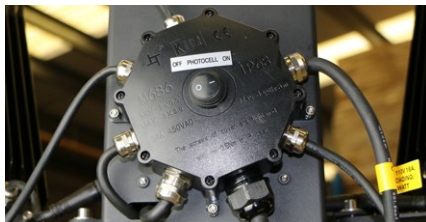
360° Towerlight Unfolded



Dimmer Control



Spirit Level



Integrated Photocell



Ballast Bag

| Product Code | Description | Wattage | Lumen output |
|------------------|--|---------|--------------|
| TWL360-600 | 360 Towerlight 600W Floodlight Head | 600W | 84000 lm |
| TWL360-3M-TRIPOD | 3m Tripod | - | - |
| TWL360-BB | Set of 3pcs Empty Ballast Bags | - | - |
| EXL-5M-IP67 | 5m IP67 Extension c/w IP67 16A Plug & Socket | - | - |

JUPITER

HIGH EFFICIENCY DUAL VOLTAGE FLOODLIGHTS



Jupiter is a new generation of area floodlights that offers exceptional energy savings and outstanding performance, with an efficacy of 140lm/W as standard. This delivers savings of up to 40% compared with many other LED floodlights. The ultra-sleek die cast body is fitted with a multi-voltage driver, allowing the Jupiter to be used for Site Lighting as well as 230V supply applications.



Features

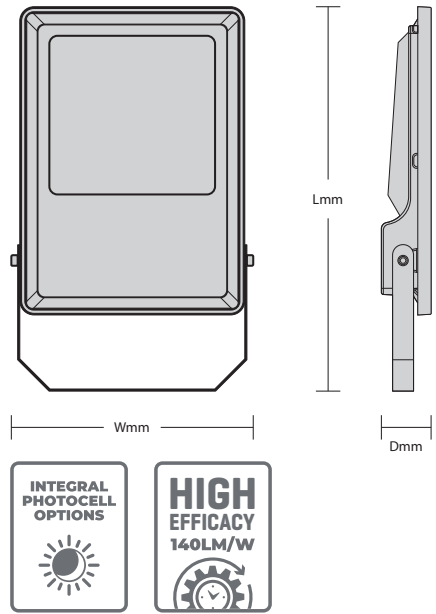
- Ultra-sleek yet robust design
- High efficiency 140lm/W
- Multi-voltage driver, suitable for 110V & 230V supply
- 240Hrs Salt Spray Tested
- Pre wired with 1m cable
- Photocell operates on 110V & 230V



Specification

| | |
|-----------------------------|--|
| Material: | Body: Die-cast Aluminium Lens: Tempered Glass |
| Colour Temperature: | 4000K |
| Colour Finish: | Black |
| Beam Angle | 110° Symmetric |
| CRI | Ra>70 |
| LED Lifetime: | L70B50 50,000 Hrs |
| IP Rating: | IP65 |
| IK Rating: | IK07 |
| Working Temperature: | -30°C to 45°C |
| Power Factor | 0.95 |
| Electrical Class: | Class: I |
| Warranty: | 7 Years |

Dimensions



| Product Code | Description | Wattage | Lumen Output | Efficacy | Dimensions |
|--------------|-----------------------------|---------|--------------|----------|---------------------------|
| JUPS30-40 | Jupiter Flood | 30W | 4200 lm | 140 lm/W | L: 257 x W: 247 x D: 50mm |
| JUPS50-40 | Jupiter Flood | 50W | 7000 lm | 140 lm/W | L: 257 x W: 247 x D: 50mm |
| JUPS100-40 | Jupiter Flood | 100W | 14000 lm | 140 lm/W | L: 325 x W: 236 x D: 48mm |
| JUPS135-40 | Jupiter Flood | 135W | 18900 lm | 140 lm/W | L: 345 x W: 285 x D: 55mm |
| JUPS180-40 | Jupiter Flood | 180W | 25200 lm | 140 lm/W | L: 395 x W: 320 x D: 78mm |
| JUPS240-40 | Jupiter Flood | 240W | 33600 lm | 140 lm/W | L: 480 x W: 374 x D: 78mm |
| JUPS320-40 | Jupiter Flood | 320W | 44800 lm | 140 lm/W | L: 555 x W: 425 x D: 78mm |
| JUPS30PC-40 | Jupiter Flood c/w Photocell | 30W | 4200 lm | 140 lm/W | L: 257 x W: 247 x D: 50mm |
| JUPS50PC-40 | Jupiter Flood c/w Photocell | 50W | 7000 lm | 140 lm/W | L: 257 x W: 247 x D: 50mm |
| JUPS100PC-40 | Jupiter Flood c/w Photocell | 100W | 14000 lm | 140 lm/W | L: 325 x W: 236 x D: 48mm |
| JUPS135PC-40 | Jupiter Flood c/w Photocell | 135W | 18900 lm | 140 lm/W | L: 345 x W: 285 x D: 55mm |
| JUPS180PC-40 | Jupiter Flood c/w Photocell | 180W | 25200 lm | 140 lm/W | L: 395 x W: 320 x D: 78mm |
| JUPS240PC-40 | Jupiter Flood c/w Photocell | 240W | 33600 lm | 140 lm/W | L: 480 x W: 374 x D: 78mm |
| JUPS320PC-40 | Jupiter Flood c/w Photocell | 320W | 44800 lm | 140 lm/W | L: 555 x W: 425 x D: 78mm |

Emergency only operates in 230V.

Emergency conversions available, contact the sales team for more information.

ASTRA DUAL VOLTAGE FLOODS

DUAL VOLTAGE FLOODLIGHTS

The Astra Site floodlight offers a dual voltage input from 110-240V, supplied with pre wired 1M cable and U shaped mounting bracket for fast easy installation



Features

- Prewired 1m rubber cable
- U shaped mounting bracket
- Yellow Body with polycarbonate diffuser
- 110-240V Dual Voltage

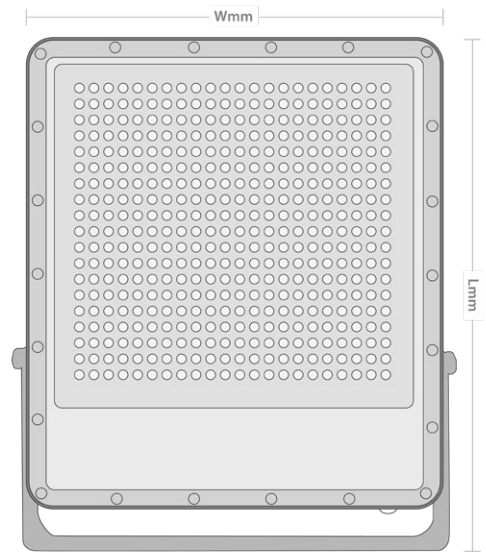
NEW
PRODUCT



Specification

| | |
|-----------------------------|--|
| Material: | Body: Aluminium Diffuser: Polycarbonate |
| Colour Temperature: | 4000K |
| Colour Finish: | Yellow (RAL1007) |
| CRI | Ra>80 |
| LED Lifetime: | L70B50 50,000 hrs |
| IP Rating: | IP65 |
| IK Rating: | IK07 |
| Working Temperature: | -20°C to 40°C |
| Beam Angle: | 110° |
| Electrical Class: | Class: I |
| Warranty: | 3 Years |

Dimensions



| Product Code | Description | Wattage | Lumen Output | Colour Temp | Efficacy | Dimensions |
|--------------|-------------------------------|---------|--------------|-------------|----------|----------------------------|
| ADVF50Y | Astra Dual Voltage Floodlight | 50W | 5500lm | 4000K | 110 lm/W | L: 180 x W: 165 x D: 25 mm |
| ADVF100Y | Astra Dual Voltage Floodlight | 100W | 11000lm | 4000K | 110 lm/W | L: 238 x W: 217 x D: 25 mm |
| ADVF150Y | Astra Dual Voltage Floodlight | 150W | 16500lm | 4000K | 110 lm/W | L: 296 x W: 270 x D: 25 mm |
| ADVF200Y | Astra Dual Voltage Floodlight | 200W | 22000lm | 4000K | 110 lm/W | L: 335 x W: 305 x D: 25 mm |
| ADVF300Y | Astra Dual Voltage Floodlight | 300W | 33000lm | 4000K | 110 lm/W | L: 378 x W: 345 x D: 30 mm |

COMET SITE

SLIM 110V FLOODLIGHTS

The Comet Site floodlight offers a wide range of outputs. Product supplied with 1m prewired rubber cable and U shaped mounting bracket, making Comet Site an extremely cost effective solution.



Features

- Prewired 1m rubber cable
- U shaped mounting bracket
- Glass Lens & Die-cast Aluminium Yellow Body





CMT50Y



CMT100Y



CMT150Y

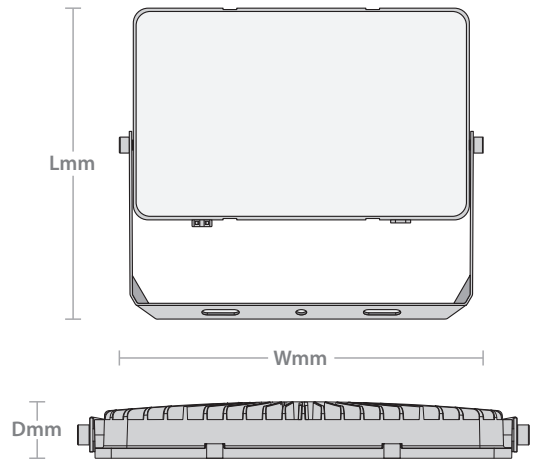


CMT200Y

Specification

| | |
|-----------------------------|---|
| Material: | Body: Die-Cast Aluminium Lens: Glass |
| Colour Temperature: | 4000K |
| Colour Finish: | Yellow (RAL1007) |
| CRI | Ra>80 |
| LED Lifetime: | L70B50 50,000 hrs |
| IP Rating: | IP65 |
| IK Rating: | IK07 |
| Working Temperature: | -30°C to 45°C |
| Beam Angle: | 110° |
| Electrical Class: | Class: I |
| Warranty: | 3 Years |

Dimensions



| Product Code | Description | Wattage | Lumen Output | Colour Temp | Efficacy | Dimensions |
|--------------|-------------|---------|--------------|-------------|----------|---------------------------|
| CMT50Y | COMET SITE | 50W | 5000 lm | 4000K | 100 lm/W | L: 216 x W: 212 x D: 32mm |
| CMT100Y | COMET SITE | 100W | 10000 lm | 4000K | 100 lm/W | L: 251 x W: 290 x D: 37mm |
| CMT150Y | COMET SITE | 150W | 15000 lm | 4000K | 100 lm/W | L: 311 x W: 348 x D: 40mm |
| CMT200Y | COMET SITE | 200W | 20000 lm | 4000K | 100 lm/W | L: 374 x W: 414 x D: 41mm |

CONNECTABLE FESTOON KITS

110V EXTENDABLE FESTOONS & EMERGENCY PACK

Our Connectable Festoon Kit range now includes 12m, 22m and 50m lengths. All kits use our unique connector and can be joined in any combination, up to a total length of 150m. This makes extending the festoon on site simple and easy, saving time and money.

Make your Festoon Kit Emergency Ready with the 110V 25W Emergency Back up Battery Pack which will provide 25W of battery back up for minimum of 3 hours should there be a power outage.



Features

- Extends festoons quickly and easily, up to a maximum combined length of 150m, adhering to BSI Standards
- Avoids handling heavy, cumbersome festoons - simply link shorter and lighter kits together
- Unique Y-splitter cable for easy configuration, available to order separately
- Starter cable with pre wired 110V 16A plug
- New - 25W Emergency Battery Back up Pack compatible with our Connectable Festoon Kits (recommended 1 kit per 50m length or less)



NEW
PRODUCT





FKF2250W



NEW
PRODUCT

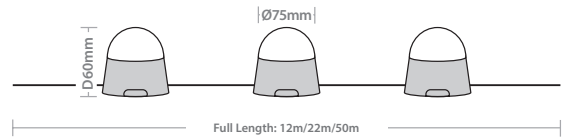


110V-EM25

Specification

| | |
|-----------------------------|---------------------|
| Material: | Polycarbonate Heads |
| Colour Temperature: | 6000K |
| Colour Finish: | Yellow |
| CRI | Ra>80 |
| LED Lifetime: | L70B50 35,000 Hrs |
| IP Rating: | IP44 |
| IK Rating: | IK07 |
| Working Temperature: | -20°C to 40°C |
| Power Factor | >0.9 |
| Electrical Class: | Class I |
| Warranty: | 2 Years |

Dimensions



| Product Code | No of Heads | Overall Length | Head Centres |
|--------------|-------------|----------------|--------------|
| FKF1230YPW | 6 | 12m | 2m |
| FKF2250W | 10 | 22m | 2.2m |
| FKF50100W | 20 | 50m | 2.5m |



FKS30YPW



SKYHOOK/10

| Product Code | Description | Wattage | Lumen Output | Efficacy |
|--------------|--|---------|--------------|----------|
| FKF1230YPW | 110V Connectable Festoon Kit 6 Way 12m | 30W | 3300 lm | 110 lm/W |
| FKF2250W | 110V Connectable Festoon Kit 10 Way 22m | 50W | 5500 lm | 110 lm/W |
| FKF50100W | 110V Connectable Festoon Kit 20 Way 50m | 100W | 11000 lm | 110 lm/W |
| FKS30YPW | 60cm Y-Splitter Cable | - | - | - |
| SKYHOOK/10 | Festoon Cable Hanging Sky Hook - 10 Pack Yellow | - | - | - |
| 110V-EM25 | 110V 25W Emergency Battery Back up Pack c/w Plug & Coupler | 25W | - | - |

Emergency Festoon Pack

To make your Festoon Kit Emergency simply plug one side of the emergency battery back up pack into the transformer & the other side into the festoon kit (ensure battery is connected before powering up). When there is a drop in power, the festoon will remain lit for 3 hrs. There is a key switch to prevent battery discharge when emergency lighting is not required.

VANGUARD SITE

110V EMERGENCY BULKHEAD

Vanguard Site delivers safe site illumination in the event of a power failure. Featuring a sleek, shallow profile and carefully designed lens for improved spacings, Vanguard Site also has configurable maintained or non-maintained operation and now features selectable Self Test / Manual Test operation. With a hinged gear tray for easy and rapid installation and reliable LiFePO4 batteries, the Vanguard Site is the only 110V Emergency bulkhead you need.



Features

- Hinged gear tray for quick and easy installation
- Selectable maintained or non-maintained operation
- Supplied with self-adhesive legend kit (Also sold separately)
- Selectable Self Test/Manual Test



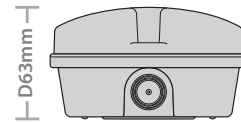
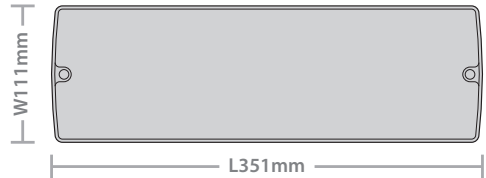
Specification

| | |
|--------------------------------|----------------------------------|
| Material: | Body: ABS Lens: Polycarbonate |
| Colour Temperature: | 6500K |
| Colour Finish: | Yellow (RAL1007) |
| LED Lifetime: | L70B50 54,000 Hrs |
| IP Rating: | IP66 |
| IK Rating: | IK08 |
| Working Temperature: | 0°C to 45°C |
| Electrical Class: | Class II |
| Emergency Battery Type: | LiFePO4 |
| Warranty: | 5 Years |



EXIT LEGEND KIT

Dimensions



Spacing Tables

| Open Area | | | | | |
|------------------|---------------------------|------|-----|------|--|
| Mount Height (m) | Open Area 0.5 Lux min (m) | | | | |
| Self Contained | | | | | |
| 2.5 | 3.5 | 8.5 | 3.9 | 10.3 | |
| 2.8 | 3.6 | 9.0 | 4.0 | 10.6 | |
| 3.0 | 3.7 | 9.3 | 4.1 | 10.8 | |
| 4.0 | 3.9 | 10.1 | 4.3 | 11.8 | |
| 5.0 | 3.9 | 10.8 | 4.3 | 12.5 | |

| Escape Route | | | | | |
|------------------|----------------------------|-----|-----|------|--|
| Mount Height (m) | Escape Route 1 Lux min (m) | | | | |
| Self Contained | | | | | |
| 2.5 | 2.7 | 6.9 | 3.1 | 8.0 | |
| 2.8 | 2.7 | 7.1 | 3.0 | 8.3 | |
| 3.0 | 2.7 | 7.3 | 3.0 | 8.5 | |
| 4.0 | 2.7 | 7.8 | 3.0 | 8.89 | |
| 5.0 | 2.3 | 7.8 | 2.6 | 8.89 | |

| Product Code | Description | Wattage | Lumen Output | Emergency Lumen Output |
|--------------|--|---------|--------------|------------------------|
| VANS/3Y/ST | Vanguard Site 110V M/NM EM Bulkhead 3Hr IP66 Selectable ST/M | 3W | 150 lm | 150 lm |

JUNO 65 SITE

110V IP65 EMERGENCY NM TWIN SPOT

JUNO 65 SITE is the ideal solution for adjustable, non-maintained emergency site lighting in any wet or dusty environment. The high light output suits higher mounting applications where flexibility is a prime consideration. Now available with selectable Self Test / Manual Test operation.



* Non-emergency only.
Emergency are 110V

Features

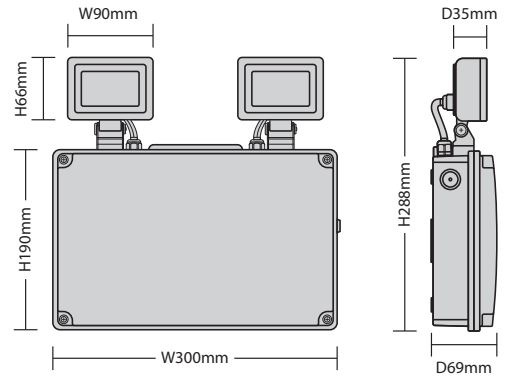
- Tough IP65 & IK08 construction, ideal for wet or dusty environments
- Fully adjustable LED projector flood heads
- High output, suited to higher mounting positions
- Fast and easy to install
- Selectable Self Test/Manual Test



Specification

| | |
|--------------------------------|-------------------|
| Material: | Polycarbonate |
| Colour Temperature: | 6500K |
| Colour Finish: | Yellow (RAL1007) |
| CRI | Ra>80 |
| LED Lifetime: | L70B50 36,000 Hrs |
| IP Rating: | IP65 |
| IK Rating: | IK08 |
| Working Temperature: | 0°C to 45°C |
| Emergency Battery Type: | LiFePO4 |
| Electrical Class: | Class: II |
| Warranty: | 5 Years |

Dimensions

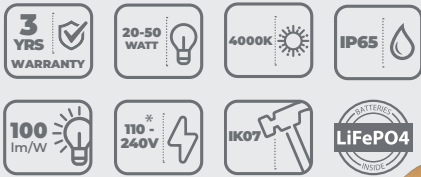


| Product Code | Description | Wattage | Lumen Output | Net Weight (kg) |
|--------------|---|---------------------|--------------|-----------------|
| JUNS/500Y/ST | Juno Site NM Emergency Twin Spot 110V 3 Hr 500lm IP65 Selectable ST/M | 4W (Charge 2.5W) | 500 lm | 1.21 |

WEATHERGUARD SITE

IP65 NON-CORROSIVE FITTINGS

Weatherguard Site offers the very latest in IP65 non-corrosive Site Lighting. High efficiency 100 lm/W LEDs and stainless steel clips as standard, plus LEDs and drivers that can easily be replaced at the end of life, for minimum environmental impact.



REPLACEABLE
LEDs

* Non-emergency only.
Emergency are 110V

Features

- Unique, future proof replaceable LED modules
- Durable IP65 & IK07 body and diffuser
- High efficacy - 100 lm/W
- Emergency versions available



Available with Eco Motion integrated microwave sensor





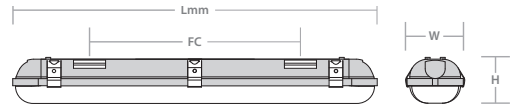
WG-MAGKIT Magnetic Kit



Specification

| | |
|--------------------------------|--|
| Material: | Body & Diffuser: Polycarbonate Retaining Clips: Stainless Steel |
| Colour Temperature: | 4000K |
| CRI: | Ra>80 |
| LED Lifetime: | L80B50 30,000 Hrs |
| IP Rating: | IP65 |
| IK Rating: | IK07 |
| Emergency Battery Type: | LiFePO4 |
| Working Temperature: | -25°C to 40°C (Emergency version 0°C to 40°C) |
| Power Factor: | >0.9 |
| Warranty: | 3 Years |

Dimensions



| Product Code | Dimensions | Fixing Centres FC |
|---------------------|--------------------------------|-------------------|
| WGS220Y / WGS220Y-E | L: 664mm x W: 103mm x D: 78mm | 400mm |
| WGS420Y / WGS420Y-E | L: 1262mm x W: 72mm x D: 78mm | 900mm |
| WGS525Y / WGS525Y-E | L: 1562mm x W: 72mm x D: 78mm | 1200mm |
| WGS550Y / WGS550Y-E | L: 1562mm x W: 103mm x D: 78mm | 1200mm |



WG-MAGKIT Magnetic Kit

| Product Code | Description | Wattage | Lumen Output | Emergency Lumen Output | Efficacy |
|--------------|--|---------|--------------|------------------------|----------|
| WGS220Y | Weatherguard Site 600mm Twin | 20W | 2000 lm | - | 100 lm/W |
| WGS220Y-E | Weatherguard Site 600mm Twin with 3Hr Emergency | 20W | 2000 lm | 263 lm | 100 lm/W |
| WGS420Y | Weatherguard Site 1200mm Single | 20W | 2000 lm | - | 100 lm/W |
| WGS420Y-E | Weatherguard Site 1200mm Single with 3Hr Emergency | 20W | 2000 lm | 223 lm | 100 lm/W |
| WGS525Y | Weatherguard Site 1500mm Single | 25W | 2500 lm | - | 100 lm/W |
| WGS525Y-E | Weatherguard Site 1500mm Single with 3Hr Emergency | 25W | 2500 lm | 275 lm | 100 lm/W |
| WGS550Y | Weatherguard Site 1500mm Twin | 50W | 5000 lm | - | 100 lm/W |
| WGS550Y-E | Weatherguard Site 1500mm Twin with 3Hr Emergency | 50W | 5000 lm | 236 lm | 100 lm/W |
| WG-MAGKIT | Weatherguard Magnetic Kit (Set of 2) | - | - | - | - |

WEATHERGUARD SITE ECO-MOTION

IP65 NON-CORROSIVE FITTINGS C/W INTEGRATED
MICROWAVE SENSOR

Red Arrows Integrated Eco-Motion Microwave sensor is the sensible choice for cutting energy usage and only illuminating a space when presence is detected.

Suitable for pairing with all Weatherguards, this market leading microwave sensor offers fully programmable and adjustable settings making this perfect for all applications.



REPLACEABLE

LEDs

* Non-emergency only.
Emergency are 110V



Features

- Up to 60% Energy & Cost Saving
- Integrated Microwave sensor
- Daylight sensor prevents switch on when adequate brightness available
- Adjustable sensitivity, hold time and ambient threshold
- Simple to programme
- Detection Range up to 10m
- Suitable for mounting heights up to 4m

MICROWAVE DETECTOR FOR LUMINAIRE INTEGRATION

A microwave detector with on/off control and daylight sensor. Contains optional detection range, holdtime and daylight threshold.

DIP SWITCH SETTINGS

| | | |
|-----|---|------|
| 1 | 2 | |
| ● ● | | 100% |
| ○ ● | | 75% |
| ● ○ | | 50% |
| ○ ○ | | 10% |

Detection Range
(Sensitivity)

| | | |
|-----|---|-------|
| 3 | 4 | |
| ● ● | | 5s |
| ○ ● | | 90s |
| ● ○ | | 5min |
| ○ ○ | | 15min |

Hold-Time
(Time Delay)

| | | |
|-----|---|---------|
| 5 | 6 | |
| ● ● | | Disable |
| ○ ● | | 50lux |
| ● ○ | | 10lux |
| ○ ○ | | 2lux |

Daylight Threshold
(Ambient Light)

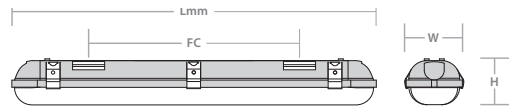


Specification

| | |
|--------------------------------|--|
| Material: | Body & Diffuser: Polycarbonate Retaining Clips: Stainless Steel |
| Colour Temperature: | 4000K |
| Colour Finish: | Yellow |
| CRI: | Ra>80 |
| LED Lifetime: | L80B50 30,000 Hrs |
| IP Rating: | IP65 |
| IK Rating: | IK07 |
| Working Temperature: | -25°C to 40°C (Emergency version 0°C to 40°C) |
| Emergency Battery Type: | LiFePO4 |
| Power Factor: | >0.9 |
| Electrical Class: | Class I |
| Warranty: | 3 Years |

Dimensions

| Product Code | Dimensions | Fixing Centres FC |
|----------------|----------------------------------|-------------------|
| WGS220Y/XXXX | L: 664mm x W: 103mm x D: 78mm | 400mm |
| WGS220Y-E/XXXX | L: 664mm x W: 103mm x D: 78mm | 400mm |



Weatherguard ECO-MOTION Site with Intergrated Microwave Sensor

| Product Code | Description | Wattage | Lumen Output | Emergency Lumen Output | Efficacy |
|--------------|---|---------|--------------|------------------------|----------|
| WGS220Y/MS | Weatherguard Site IP65 110V 20W 4000K c/w Internal Microwave Sensor | 20W | 2000 lm | - | 100 lm/W |
| WGS220Y-E/MS | Weatherguard Site IP65 110V 20W 4000K 3 Hr EM c/w Internal Microwave sensor | 20W | 2000 lm | 263 lm | 100 lm/W |

Weatherguard ECO-MOTION Site with Intergrated Microwave Sensor, Flex & Junction Box

| Product Code | Description | Wattage | Lumen Output | Emergency Lumen Output | Efficacy |
|--------------------|---|---------|--------------|------------------------|----------|
| WGS220Y/PC-MW | Weatherguard Site IP65 110V 20W 4000K c/w Flex, JB, Microwave Sensor | 20W | 2000 lm | - | 100 lm/W |
| WGS220Y-E/PC-MW | Weatherguard Site IP65 110V 20W 4000K 3 Hr EM Flex, JB, Microwave Sensor | 20W | 2000 lm | 263 lm | 100 lm/W |
| WGS220Y/PC-MW/2G | Weatherguard Site IP65 110V 20W 4000K c/w Flex, JB + 2 Extra Glands, Microwave Sensor | 20W | 2000 lm | - | 100 lm/W |
| WGS220Y-E/PC-MW/2G | Weatherguard Site IP65 110V 20W 4000K 3 Hr EM Flex, JB + 2 Extra Glands, Microwave Sensor | 20W | 2000 lm | 263 lm | 100 lm/W |

Weatherguard Microwave Sensor

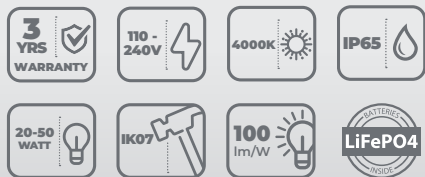
| Product Code | Description | Dimensions |
|--------------|--|--------------------------|
| MWD/H6/110 | Microwave detector for luminaire integration | L: 126 x W: 32 x D: 36mm |

All other twin body Weatherguard Sites can be modified to add a microwave sensor, utilising our in-house conversions team.

WEATHERGUARD SITE PLUG & COUPLER

IP65 NON-CORROSIVE FITTINGS C/W
1M FLEX, PLUG & COUPLER

Weatherguard Site offers the very latest in IP65 non-corrosive site lighting. High efficiency 100 lm/W LEDs and stainless steel clips as standard, plus LEDs and drivers that can easily be replaced at the end of life, for minimum environmental impact. For fast and efficient installation, Weatherguard Site is now available pre wired with 1m of cable each side with a plug and coupler. Save time and money on site.



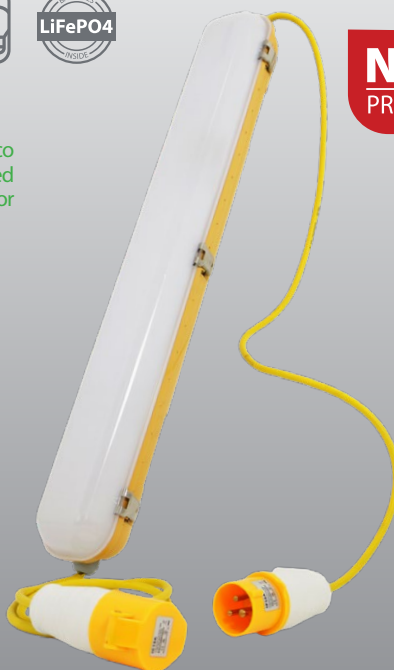
Available with Eco Motion integrated microwave sensor

REPLACEABLE
LEDs

* Non-emergency only.
Emergency are 110V

Features

- Unique, future proof replaceable LED modules
- Durable IP65 & IK07 body and diffuser
- High efficacy - 100 lm/W
- Emergency versions available
- Emergency versions 110V Only
- Pre wired with 1m cable each side with a Plug & Coupler
- Other WGS sizes and cable lengths can be modified on request

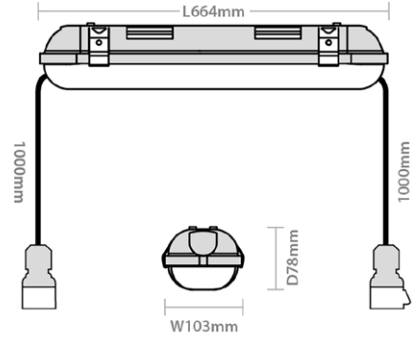


NEW
PRODUCT

Specification

| | |
|--------------------------------|--|
| Material: | Body & Diffuser: Polycarbonate Retaining Clips: Stainless Steel |
| Colour Temperature: | 4000K |
| CRI: | Ra>80 |
| LED Lifetime: | L70B50 30,000 Hrs |
| IP Rating: | IP65 |
| IK Rating: | IK07 |
| Emergency Battery Type: | LiFePO4 |
| Working Temperature: | -25°C to 40°C (Emergency version 0°C to 40°C) |
| Power Factor: | 0.5 / 0.9 |
| Warranty: | 3 Years |

Dimensions



WG-MAGKIT Magnetic Kit



| Product Code | Description | Wattage | Lumen Output | Emergency Lumen Output | Efficacy |
|-----------------|--|---------|--------------|------------------------|----------|
| WGS220Y-1M/PS | Weatherguard Site 600mm c/w 1m Flex Plug/Coupler | 20W | 2000 lm | - | 100 lm/W |
| WGS220Y-E-1M/PS | Weatherguard Site 600mm c/w 3HR Emergency c/w 1m Flex Plug/Coupler | 20W | 2000 lm | 263 lm | 100 lm/W |
| WG-MAGKIT | Weatherguard Magnetic Kit (Set of 2) | - | - | - | - |

All other Weatherguard Sites can be modified to add plug & coupler with any cable length, using our in-house conversions team.

WEATHERGUARD SITE FLEX & JUNCTION BOX

IP65 NON-CORROSIVE FITTINGS C/W FLEX & JUNCTION BOX

For fast and efficient installation, Weatherguard Site is also available pre-wired with 1m of cable and junction box. Save time and money on site.



REPLACEABLE

LEDs

* Non-emergency only. Emergency are 110V



Available with Eco Motion integrated microwave sensor

Features

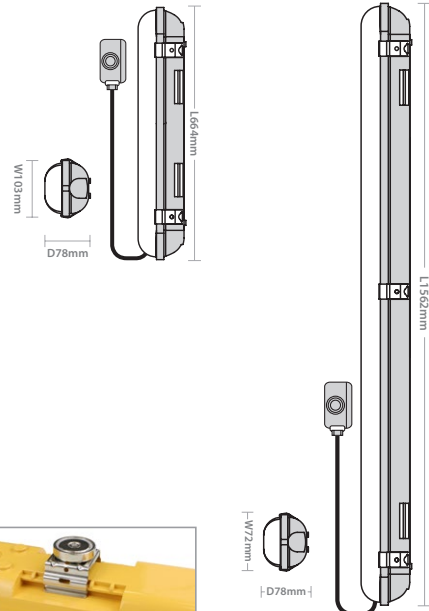
- Pre-wired with 1m cable and junction box
- Fast and easy to install
- High efficacy - 100 lm/W
- Standard & Emergency versions available



Specification

| | |
|--------------------------------|--|
| Material: | Body & Diffuser: Polycarbonate Retaining Clips: Stainless Steel |
| Colour Temperature: | 4000K |
| CRI: | Ra>80 |
| LED Lifetime: | L70B50 30,000 Hrs |
| IP Rating: | IP65 |
| IK Rating: | IK07 |
| Emergency Battery Type: | LiFePO4 |
| Working Temperature: | -25°C to 40°C (Emergency version 0°C to 40°C) |
| Power Factor: | 0.5 / 0.9 |
| Warranty: | 3 Years |

Dimensions



WG-MAGKIT Magnetic Kit



| Product Code | Description | Wattage | Lumen Output | Emergency Lumen Output | Efficacy |
|--------------|---|---------|--------------|------------------------|----------|
| WGS220Y/PC | Weatherguard Site 600mm c/w Flex & Junction Box | 20W | 2000 lm | - | 100 lm/W |
| WGS220Y-E/PC | Weatherguard Site 600mm c/w Flex & Junction Box with 3Hr Emergency | 20W | 2000 lm | 263 lm | 100 lm/W |
| WGS525Y/PC | Weatherguard Site 1500mm c/w Flex & Junction Box | 25W | 2500 lm | - | 100 lm/W |
| WGS525Y-E/PC | Weatherguard Site 1500mm c/w Flex & Junction Box with 3Hr Emergency | 25W | 2500 lm | 275 lm | 100 lm/W |
| WGS550Y/PC | Weatherguard Site 1500mm c/w Flex & Junction Box | 50W | 5000 lm | - | 100 lm/W |
| WGS550Y-E/PC | Weatherguard Site 1500mm c/w Flex & Junction Box with 3Hr Emergency | 50W | 5000 lm | 236 lm | 100 lm/W |
| WG-MAGKIT | Weatherguard Magnetic Kit (Set of 2) | - | - | - | - |

All other Weatherguard Sites can be modified to add flex at any length with a junction box, using our in-house conversions team.

WEATHERGUARD SITE TRIPOD HEAD

IP65 NON-CORROSIVE FITTINGS C/W
TRIPOD HEADS & TRIPOD

Quick and easy to deploy, Weatherguard Site Tripod mounted fittings offer ultimate flexibility on site. The heads are supplied ready to mount onto the tripod, complete with 2x110V power outlets and 5m of cable.

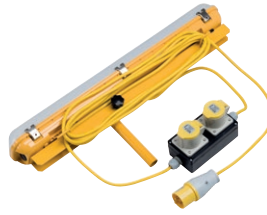
Features

- Fast and easy to set up on site
- Heads fitted with twin 110V sockets
- Pre wired with 5m cable and plug
- Separate, height adjustable tripod



Available with Eco Motion integrated microwave sensor

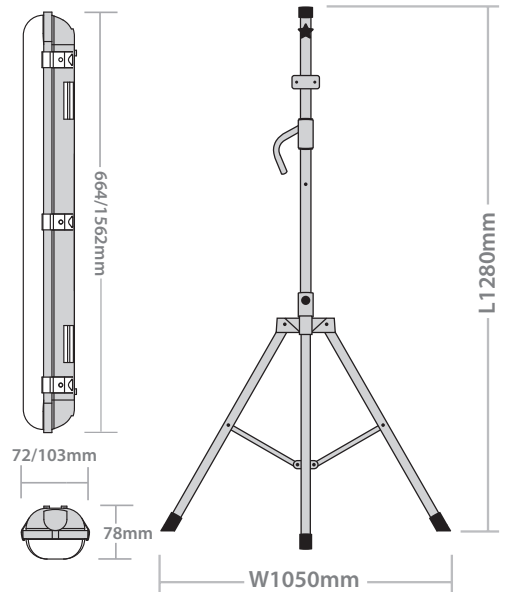




Specification

| | |
|--------------------------------|--|
| Material: | Body & Diffuser: Polycarbonate Tripod: Steel |
| Colour Temperature: | 4000K |
| CRI: | Ra>80 |
| Led Lifetime: | L80B50 30,000 Hrs |
| IP Rating: | IP65 |
| IK Rating: | IK07 |
| Emergency Battery Type: | LiFePO4 |
| Working Temperature: | -25°C to 40°C (Emergency version 0°C to 40°C) |
| Power Factor: | 0.9 |
| Warranty: | 3 Years |

Dimensions



| Product Code | Description | Wattage | Lumen Output | Emergency Lumen Output | Efficacy |
|--------------|--|---------|--------------|------------------------|----------|
| WGS220Y/TH | Weatherguard Site Tripod Head 600mm | 20W | 2000 lm | | 100 lm/W |
| WGS220Y-E/TH | Weatherguard Site Tripod Head 600mm c/w 3Hr EM | 20W | 2000 lm | 263 lm | 100 lm/W |
| WGS525Y/TH | Weatherguard Site Tripod Head 1500mm | 25W | 2500 lm | - | 100 lm/W |
| WGS525Y-E/TH | Weatherguard Site Tripod Head 1500mm c/w 3Hr EM | 25W | 2500 lm | 275 lm | 100 lm/W |
| WGS/TP | Weatherguard Site Adjustable Tripod | - | - | - | - |

WEATHERGUARD SITE A-FRAME

IP65 NON-CORROSIVE FITTINGS C/W
PLASTER'S A-FRAME

Our Plasterer's A-Frame is a handy addition to the Weatherguard Site range. This portable fitting is easy to relocate and features a useful cable storage facility.



Available with Eco Motion integrated microwave sensor



Features

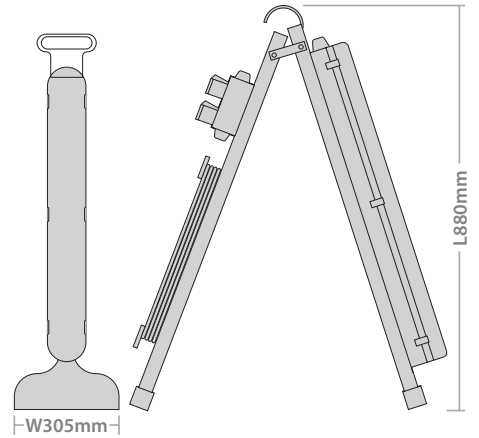
- Lightweight and easy to relocate on site
- Strong & Stable frame
- Includes 2x110V power outlets for connecting more fittings or power tools
- Supplied with 5m cable and pre wired plug



Specification

| | |
|--------------------------------|--|
| Material: | Body & Diffuser: Polycarbonate Frame: Steel |
| Colour Temperature: | 4000K |
| CRI: | Ra>80 |
| LED Lifetime: | L80B50 30,000 Hrs |
| IP Rating: | IP65 |
| IK Rating: | IK07 |
| Emergency Battery Type: | LiFePO4 |
| Working Temperature: | -20°C to 40°C (Emergency version 0°C to 40°C) |
| Power Factor: | 0.9 |
| Warranty: | 3 Years |

Dimensions



| Product Code | Description | Wattage | Lumen Output | Emergency Lumen Output | Efficacy |
|--------------|---|---------|--------------|------------------------|----------|
| WGS220Y/AF | Weatherguard Site A-Frame | 20W | 2000 lm | - | 100 lm/W |
| WGS220Y-E/AF | Weatherguard Site A-Frame c/w 3Hr EM | 20W | 2000 lm | 263 lm | 100 lm/W |

TAURUS SITE

DUAL VOLTAGE SITE BULKHEADS
STANDALONE OR WITH FLEX,
JUNCTION BOX & MOUNTING BRACKET

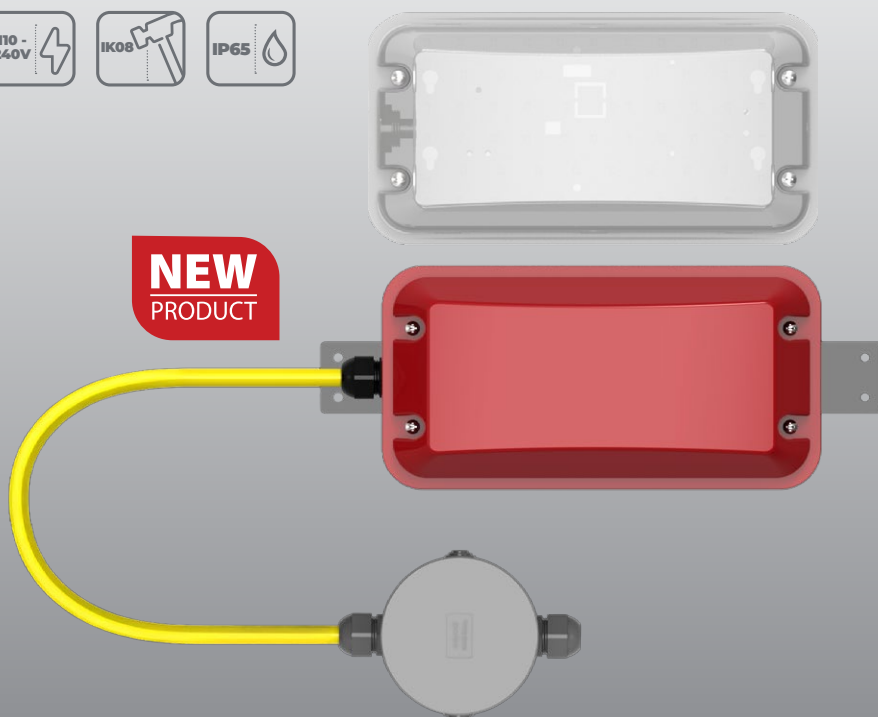
Taurus Site is a range of sleek profile dual voltage bulkheads. Designed for use on construction site hoardings and general lighting, the range features opal and frosted clear or red diffusers. Extra deep prismatic clear or red diffusers, plus a smart black trim offer additional choice.

For ease of installation, the Taurus Site range now has the Red & Clear fittings with prewired 1 metre flex & junction box plus mounting brackets.



Features

- Now available in Red & Clear with Flex, Junction Box and Adjustable Mounting Bracket
- Sleek profile design
- Dual supply voltage - 110/240V for versatility
- Optional prismatic red or clear diffusers
- Smart optional trim to cover diffuser fixings





TAO8Y



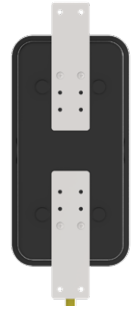
TAO8Y WITH
TA/TRIM



TA/RED



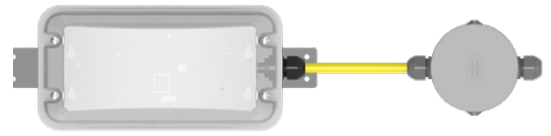
TA/CLEAR



TA...-JBB
REAR VIEW

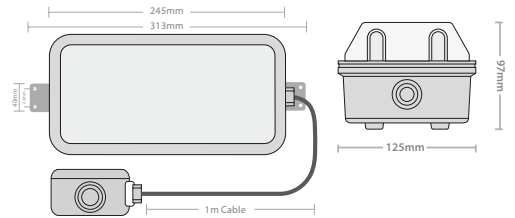
Specification

| | |
|-----------------------------|-----------------------|
| Material: | Polycarbonate |
| Colour Temperature: | 5700K (N/A to Red) |
| LED Lifetime: | L80B50 50,000 Hrs |
| IP Rating: | IP65 |
| IK Rating: | IK08 |
| Working Temperature: | -10°C to 40°C |
| Warranty: | 3 Years |



TAC8Y-JBB

Dimensions



Taurus Site Standard

| Product Code | Description | Wattage | Lumen Output | Efficacy |
|--------------|--|---------|--------------|----------|
| TAO8Y | Taurus Site Bulkhead with Opal Diffuser | 8W | 800 lm | 100 lm/W |
| TAC8Y | Taurus Site Bulkhead with Clear Diffuser | 8W | 900 lm | 110 lm/W |
| TAR8Y | Taurus Site Bulkhead with Red Diffuser | 8W | 190 lm | 24 lm/W |

Taurus Site with Flex, Junction Box & Mounting Bracket

| Product Code | Description | Wattage | Lumen Output | Efficacy |
|--------------|---|---------|--------------|----------|
| TAC8Y-JBB | Taurus Site Bulkhead with Clear Diffuser, Junction box with glands and Mounting Bracket | 8W | 900lm | 110 lm/W |
| TAR8Y-JBB | Taurus Site Bulkhead with Red Diffuser, Junction box with glands and Mounting Bracket | 8W | 190lm | 24 lm/W |

Taurus Site Accessories

| Product Code | Description |
|--------------|--|
| TA/CLEAR | Taurus Site Extra Deep Clear Prismatic Diffuser Only |
| TA/RED | Taurus Site Extra Deep Red Prismatic Diffuser Only |
| TA/TRIM | Taurus Site Optional Trim Only |

GARRISON PRO

HAND HELD AND TRIPOD WORK LIGHTS

Garrison Pro are a versatile range of work lights. Compact and lightweight, the efficient heads offer exceptional value for money. The range includes a single standalone head & a single or a double head with tripod.



Features

- Hand-held or single and twin tripod work lights
- Efficacy of 130lm/W
- Height adjustable tripod
- Tripods have adjustable heads to direct the light
- Pre wired with 1.8m cable on the handheld work light and 3m cable on the single & twin with tripod work lights. All are supplied with a 16A 110V plug

NEW
PRODUCT

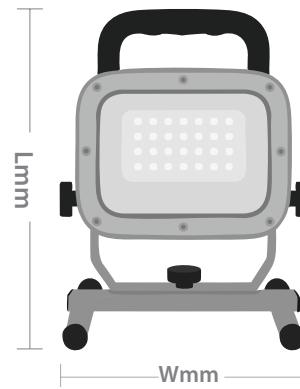




Specification

| | |
|-----------------------------|--|
| Material: | Steel Tripod, Aluminium Polycarbonate Head, Polycarbonate Diffuser |
| Colour Temperature: | 6500K |
| CRI | Ra >80 |
| LED Lifetime: | L70B50 35,000 Hours |
| IP Rating: | IP65 |
| IK Rating: | IK07 |
| Working Temperature: | -20°C to 40°C |
| Power Factor | 0.9 |
| Warranty: | 3 Years |

Dimensions



| Product Code | Dimensions |
|--------------|----------------------------|
| GWLPRO | L: 200 x W: 190 x D: 30 mm |

| Product Code | Description | Wattage | Lumen Output | Efficacy |
|--------------|--|---------|--------------|----------|
| GWLPRO-H35 | Garrison Pro Hand Held Work Light | 35W | 4550lm | 130 lm/W |
| GWLPRO-135 | Garrison Pro Tripod Work Light - Single Head | 35W | 4550lm | 130 lm/W |
| GWLPRO-235 | Garrison Pro Tripod Work Light - Twin Head | 2x35W | 9100lm | 130 lm/W |

ST20

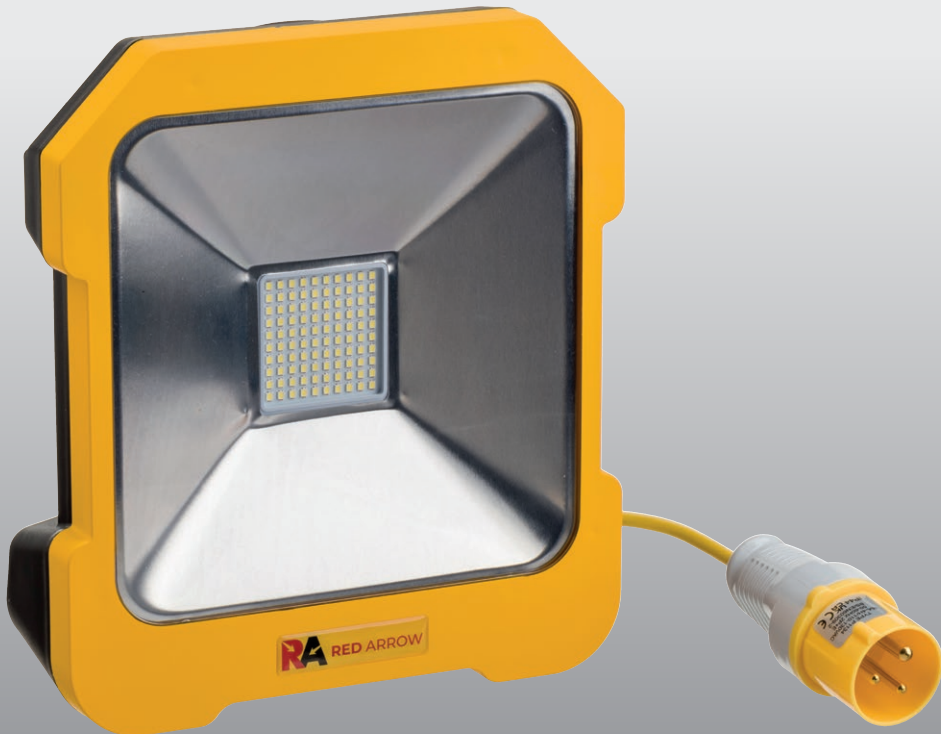
110V PORTABLE TASK LIGHT

The ST20 is a tough yet lightweight task light. Pre wired with 3m of cable and plug, the unit also features cable storage and an auxiliary socket for interlinking or power tools.



Features

- Tough, lightweight construction
- Built-in cable storage and carry handle
- Handy auxiliary socket on rear
- Pre wired with 3m cable and plug

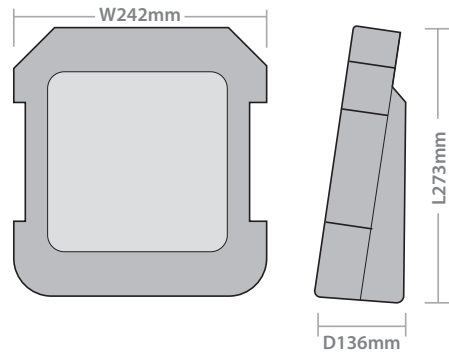




Specification

| | |
|-----------------------------|------------------------------------|
| Material: | Body: Nylon Lens: Polycarbonate |
| Colour Temperature: | 6400K |
| CRI | Ra>80 |
| LED Lifetime: | L70B50 30,000 Hrs |
| IP Rating: | IP54 |
| IK Rating: | IK07 |
| Working Temperature: | -20°C to 55°C |
| Power Factor | 0.9 |
| Aux Socket | Max Load 1500W |
| Warranty: | 2 Years |

Dimensions



| Product Code | Description | Wattage | Lumen Output | Efficacy |
|--------------|---|---------|--------------|----------|
| ST20LED110V | Portable Task Light 110V c/w 3m cable & plug | 20W | 2000 lm | 100 lm/W |

KRYPTON PRO

RECHARGEABLE FLOODLIGHTS

Krypton Pro is a lightweight, portable, rechargeable floodlight with a modern sleek design. Push button operation featuring 3 light levels and SOS flashing sequence



Features

- Up to 15 hours of light when fully charged
- Choice of 3 light levels - 100%/50%/20%
- Handy SOS flashing function
- Fully adjustable stand, folds flat for storage.

NEW
PRODUCT





USB CHARGING CABLE

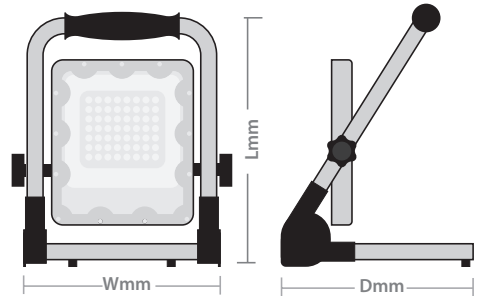


KRYPRO & Optional
Tripod (GLTYPW)

Specification

| | |
|--|---|
| Material: | Body: ABS Lens: Polycarbonate |
| Colour Temperature: | 6500K |
| Colour Finish: | Yellow RAL1007 |
| CRI: | Ra >80 |
| LED Lifetime: | L70B50 30,000 Hrs |
| Operation Time: (From full charge) | 100% - 3Hrs / 60% - 6Hrs / 20% - 15Hrs |
| Charging Time: (To fully charged) | KRYPRO-500 - 2-3Hrs / KRYPRO-1050 - 4-5Hrs / KRYPRO-2100 - 8-9Hrs |
| Charge Cable: | USB Charging cable included |
| IP Rating: | IP65 |
| IK Rating: | IK03 |
| Working Temperature: | 0°C to 45°C |
| Warranty: | 3 Years |

Dimensions



| Product Code | Dimensions |
|--------------------|----------------------------|
| KRYPRO-500 | L: 287 x W: 237 x D: 65 mm |
| KRYPRO-1050 | L: 287 x W: 237 x D: 65 mm |
| KRYPRO-2100 | L: 340 x W: 277 x D: 65 mm |

| Product Code | Description | Lumen Output |
|--------------|---------------------------------|-------------------------|
| KRYPRO-500 | Krypton Rechargeable Floodlight | 100lm 250lm 500lm |
| KRYPRO-1050 | Krypton Rechargeable Floodlight | 200lm 500lm 1050lm |
| KRYPRO-2100 | Krypton Rechargeable Floodlight | 400lm 1050lm 2100lm |
| KRY/USB | Krypton USB Charging Cable | - |
| GLTYPW | Tripod | - |

UPLIGHT

360° WORKSPACE LIGHTING

This innovative 110V Uplight features a high lumen output and 360° light distribution, making it an efficient solution for site lighting.



Features

- High light output, ideal for large spaces
- Emergency version, switchable to prevent discharge during storage
- Aux socket for interlinking or power tools
- Convenient carry strap

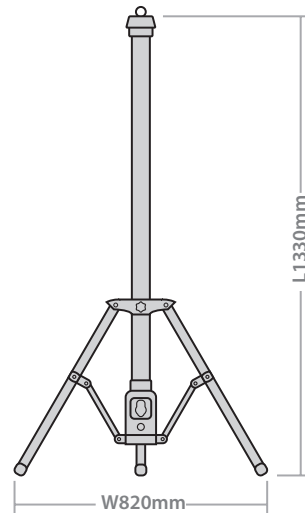




Specification

| | |
|--------------------------------|--|
| Material: | ABS + Polycarbonate |
| Colour Temperature: | 6500K |
| CRI | Ra>80 |
| LED Lifetime: | L70B50 35,000 Hrs |
| IP Rating: | IP54 |
| IK Rating: | IK07 |
| Emergency Battery Type: | LiFePO4 |
| Working Temperature: | -20°C to 40°C (Emergency version 0°C to 40°C) |
| Power Factor | >0.9 |
| Warranty: | 2 Years |

Dimensions



| Product Code | Description | Wattage | Lumen output | Emergency Lumen Output | Efficacy |
|--------------|---|---------|--------------|------------------------|----------|
| ULS72YPW | Uplight with 3m cable + 16A plug/socket | 72W | 7920 lm | - | 110 lm/W |
| ULE72YPW | Uplight Emergency with 3m cable + 16A plug/socket | 72W | 7920 lm | 350 lm | 110 lm/W |

GLOBE LIGHT

360° WORKSPACE LIGHTING

For ultimate flexibility, our Globe Light is the number one choice. Featuring 360° light distribution, the unit can be free standing, tripod mounted or suspended using the built-in hook. An emergency option offers complete peace of mind.



Features

- Lightweight and portable
- Efficient 360° light distribution
- Emergency option, switchable to prevent discharge during storage
- Built-in hook for suspension mounting
- Adjustable tripod available to order separately





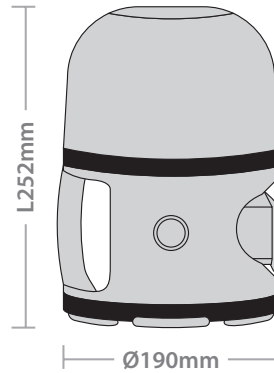
GLS30YPW & Optional Tripod (GLTYPW)



Specification

| | |
|--------------------------------|--|
| Material: | ABS + Polycarbonate |
| Colour Temperature: | 6500K |
| CRI | Ra>80 |
| LED Lifetime: | L70B50 35,000 Hrs |
| IP Rating: | IP54 |
| IK Rating: | IK07 |
| Emergency Battery Type: | LiFePO4 |
| Working Temperature: | -20°C to 40°C (Emergency version 0°C to 40°C) |
| Power Factor | >0.9 |
| Warranty: | 2 Years |

Dimensions



| Product Code | Description | Wattage | Lumen Output | Emergency Lumen Output | Efficacy |
|--------------|--|---------|--------------|------------------------|----------|
| GLS30YPW | Globe Light c/w 5m cable + 16A plug/socket | 30W | 3300 lm | - | 110 lm/W |
| GLE30YPW | Globe Light Emergency c/w 5m cable + 16A plug/socket | 30W | 3300 lm | 350 lm | 110 lm/W |

Globe Light Accessories

| Product Code | Description |
|--------------|-----------------------------------|
| GLTYPW | Adjustable tripod for globe light |

110V POWER DROP

1 X16A PLUG AND 20 X16A COUPLERS

Our market leading Site Lighting range now includes a 110V 100m Moulded Single Power Drop. Made from artic grade 2.5mm cable, the total 100m length starts with a prewired 16A socket and has 19* 1 metre drops at 5m spacings. Each drop is made using 1.5mm cable and has a prewired 16A socket. Each 100m Power Drop comes with a lightweight bag for easy transportation.



Features

- 110V Moulded Single Power Drop 100m 19* Drops at 5m spacings with socket.
- Convenient carrier bag
- Easy way to power up your site

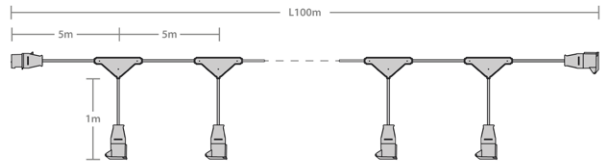
NEW
PRODUCT



Specification

| | |
|--------------------------|---|
| Material: | H05VV-F 3G 2.5mm ² + H05VV-F 3G 1.5mm ² |
| Colour Finish: | Yellow RAL1007 |
| IP Rating: | IP44 |
| Electrical Class: | Class I |
| Warranty: | 1 Year |

Dimensions



| Product Code | Description | Net Weight |
|--------------|---|------------|
| SPD-100M | 110V Single Moulded Power Drop 100M 19 x 16A Sockets 1M drops | 21.56 Kg |

TRANSFORMERS

PORTABLE SITE TRANSFORMERS

Designed for use on work sites, providing power to power tools or lighting, our portable site transformers are tough, IP44 rated against splashing and include built in safety features.



Features

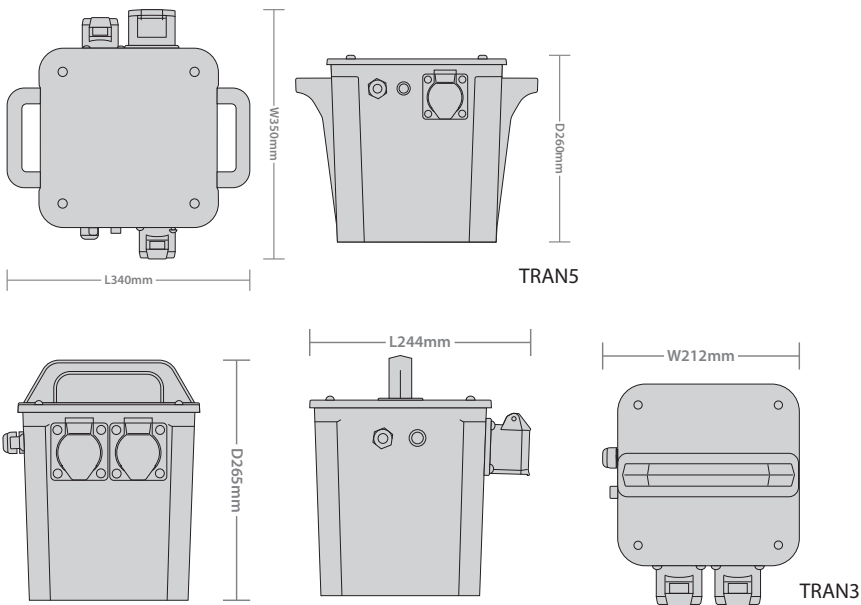
- Tough GRP housing with carry handle
- Ideal for intermittent power tool use or lower loads such as lighting
- 30 Minute intermittent duty
- Includes re-settable thermal overload protection
- Pre-wired with heavy duty rubber cable fitted with BS 13A Plug
- Centre tapped to earth



Specification

| | |
|--------------------------|---|
| Material: | GRP |
| Colour Finish: | Yellow |
| IP Rating: | IP44 |
| IK Rating: | IK07 |
| Input: | 230V AC 50Hz |
| Output: | 3.3kVa - 2x110V 16A 5kVa - 2x110V 16A & 1x110V 32A |
| Electrical Class: | Class I |
| Warranty: | 1 Year |

Dimensions



| Product Code | Description | Rating | Continuous Rating | Net Weight |
|--------------|---|--------|-------------------|------------|
| TRAN3 | 3.3kVa Transformer with 2x16A Sockets | 3.3kVa | 1.65kVa | 16kg |
| TRAN5 | 5kVa Transformer with 2x16A & 1x32A Sockets | 5kVa | 3kVa | 30kg |

110V ACCESSORIES

SPLITTER BOX, CABLE REELS, EXTENSION LEADS, 110V SAFETY DEVICE & COUPLERS

Our site lighting range includes useful accessories to complete any project. The range includes a Splitter Box, Cable Reels, Extension leads, 110V Safety Device, a handy Extension Cable & Plug / Couplers.

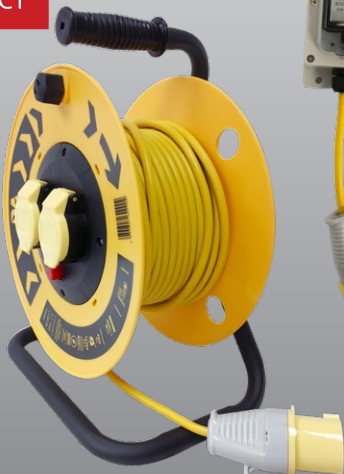
New to our Site Lighting range is the 110V Safety Device. This 6A RCBO Starter lead has been designed from the ground up with the key focus on improving Site Safety. The starter lead can be used with any Site Lighting product by simply connecting it between the appliance and the transformer. Whenever there is a fault including a trapped / damaged wire, this device will cut supply preventing any risk of injury.

Features

- Splitter box with 4 outputs and pre wired 5m supply cable
- Handy pre wired extension cable
- 25m portable cable reel
- Separate plug and couplers for versatility
- In-Line 6A RCBO Circuit Protection
- 240V Extension Cable



NEW
PRODUCT



NEW
PRODUCT



NEW
PRODUCT





SE15 EXTENSION CABLE



IP16A INDUSTRIAL PLUG



IC16A INDUSTRIAL COUPLER



EX14-1.5

NEW
PRODUCT

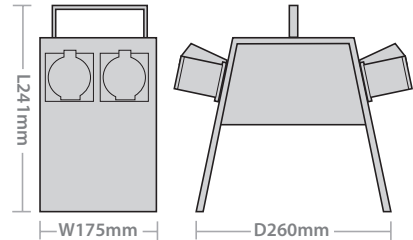
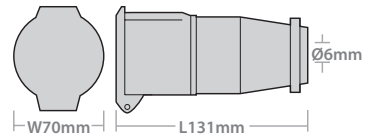
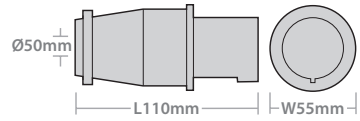


110V-RCBO6A



RA-CR251.5 REEL CABLE

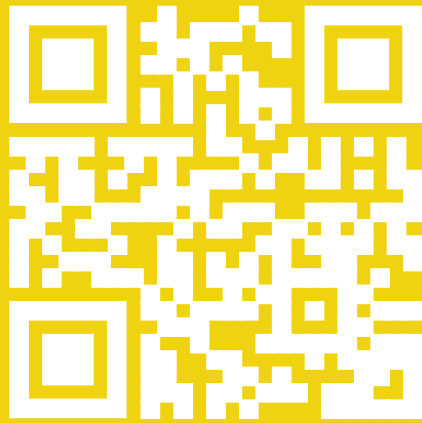
Dimensions



Specification

| | |
|-------------------|--|
| Material: | Plug & Couplers: Polypropylene Splitter Box: Steel Cable: HOVV-F 3G 1.5mm ² |
| IP Rating: | IP44 |
| Warranty: | 1 Year |

| Product Code | Description | Rating |
|--------------|---|--------|
| LFUK4S | Splitter Box - 4 x 16A-110V | 16A |
| IP16A | Industrial Plug 110V | 16A |
| IC16A | Industrial Coupler 110V | 16A |
| SE15 | 14m - 3 x 1.5mm Extension Cable 110V c/w plug & coupler | 16A |
| RA-CR251.5 | 110V 25M CABLE REEL 1.5mm ² 2 X 16A | 16A |
| 110V-RCBO6A | 110V 6A RCBO Starter Lead c/w plug & coupler | 6A |
| EX14-1.5 | 240V Extension Cable 14m c/w plug & coupler | 16A |



UP TO £1,000 OFF*

Red Arrow Electrical Ltd,
Cortonwood Drive, Brampton,
Barnsley, S73 0UF.

Call us 0114 279 8999
sales@redarrowelectrical.co.uk

*Terms & Conditions – Save up to £1,000 on an
online order

